

THERMOSTATIC

SHOWER SYSTEMS

THERMOSTATIC SHOWER VALVE & TRIM FEATURES & BENEFITS

- Solid brass components.
- 16 gallons/minute flow rate supports up to 3 water outlets running simultaneously.
- Temperature control only. Installation of thermostatic valve **also requires** the purchase and installation of flow control valve(s) (**sold separately**). One flow control valve is needed for each water outlet in your shower system. (Showerhead, handheld shower, etc).
- User accessible, adjustable maximum water temperature selection.
- 3/4" Thermostatic Rough-in Valve, includes trim to match collection.
- Paraffin cartridge, built-in check valves with service stops, NPT threading Meets ASSE Standard 1016, IAPMO and CSA Listed.

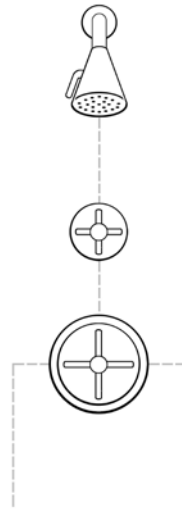
Other Components (sold separately):

- Flow Control Valve & Trim Set
 - On/off valve that controls water flow.
 - One valve needed per water outlet, allows for more than one outlet at a time.
- Valve trim extension kit
 - Extends valve an additional 1-3/8" from wall.
 - Includes spine extension, lock washer and handle screw.

SHOWER ONLY

PARTS REQUIRED

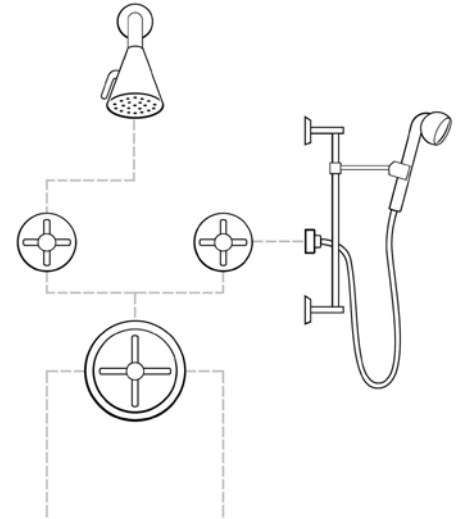
- Thermostatic Valve & Trim Set
- Flow Control Valve & Trim Set
- Showerhead, flange & arm



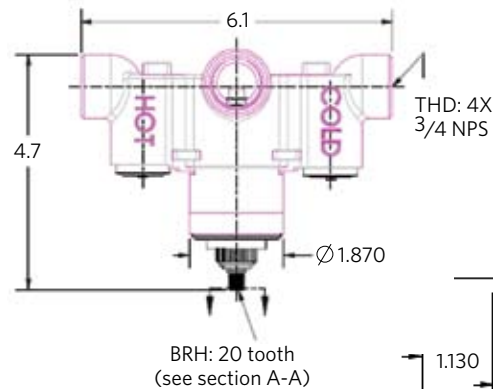
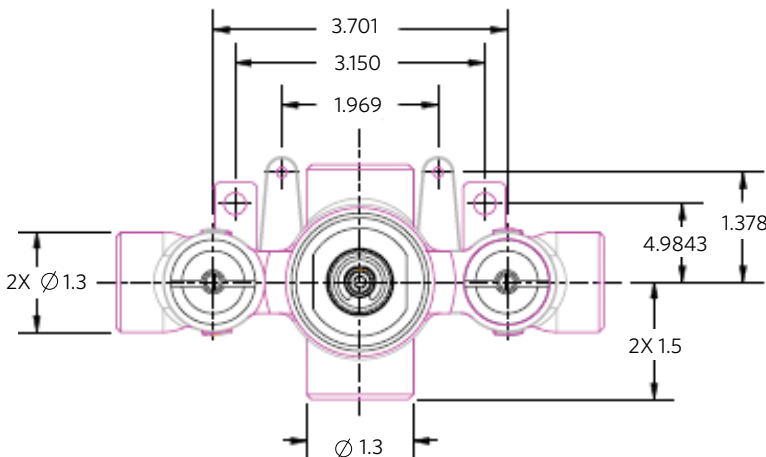
SHOWER WITH HANDHELD SHOWER

PARTS REQUIRED

- Thermostatic Valve & Trim Set
- Flow Control Valve & Trim Set (2)
- Showerhead, flange & arm
- Handheld shower



VALVE SPECS



BRH: 20 tooth
(see section A-A)

