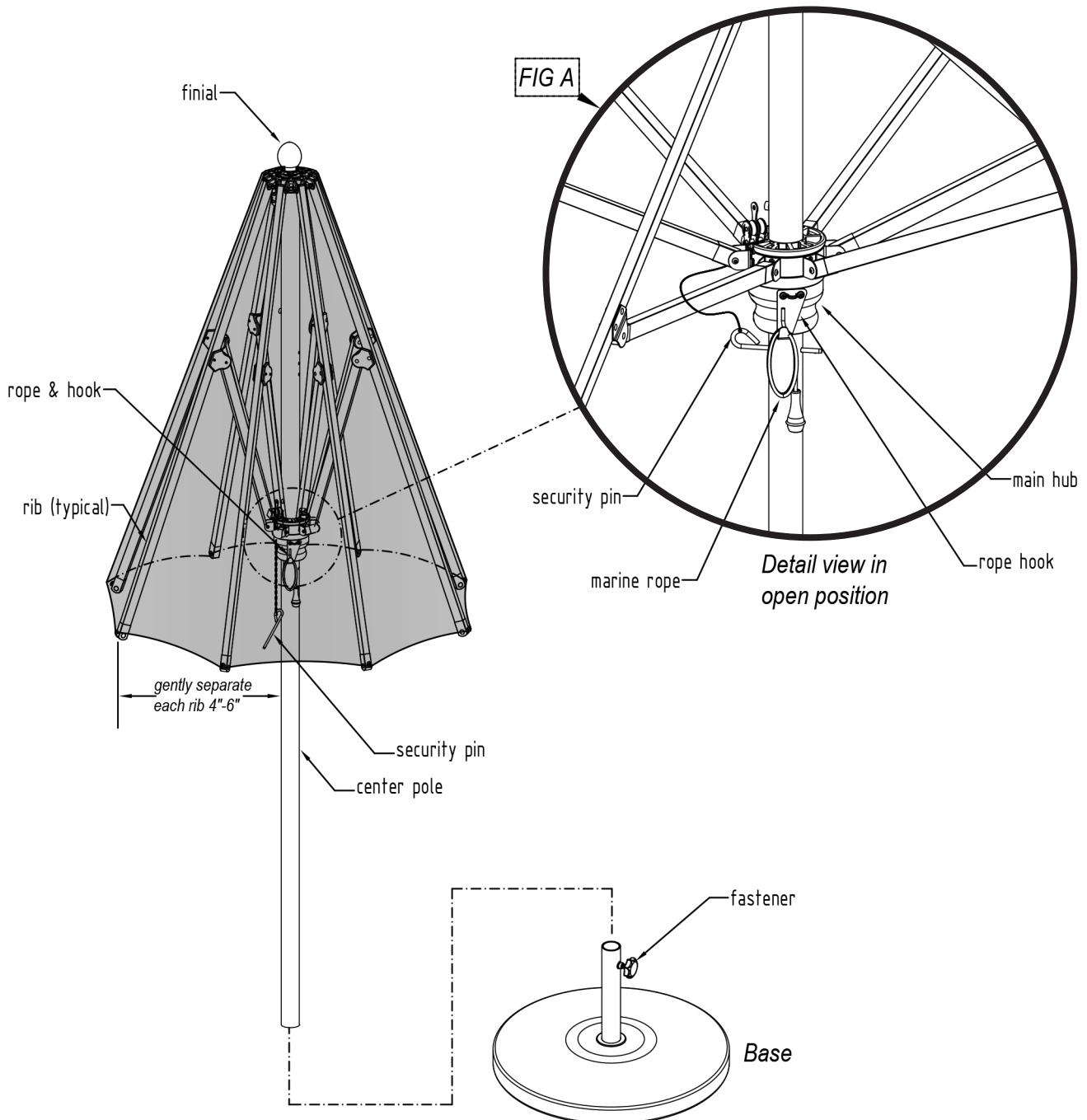


This operation may require 2 people

1. Remove all packaging, including inside the umbrella.
2. Place umbrella in base and secure by tightening the fastener (note: base is purchased separately).
3. Gently separate each rib outward from center position approx. 4"-6". Do not force. If ribs do not move easily, inspect product.
4. Gently slide main hub up center pole by pulling down the marine rope into the fully open position. Secure by using security pin. (See FIG A)
5. Secure marine rope in rope hook by coiling excess rope on hook located on main hub.
6. Close umbrella when not in use or during wind conditions that exceed manufacturer's specifications.



ACF Base Assembly

Step 1 Remove all packaging.

Step 2 Insert plastic cap on stem.

Step 3 Insert stem in base by aligning stem slot to base inner screw.

Step 4 Secure stem by mounting M12 hex head screw with both washers.

