

UBUD SEATING COLLECTION



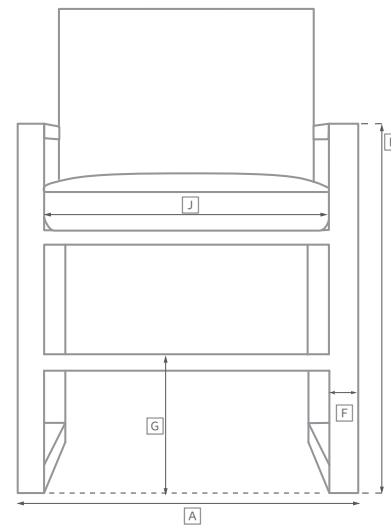
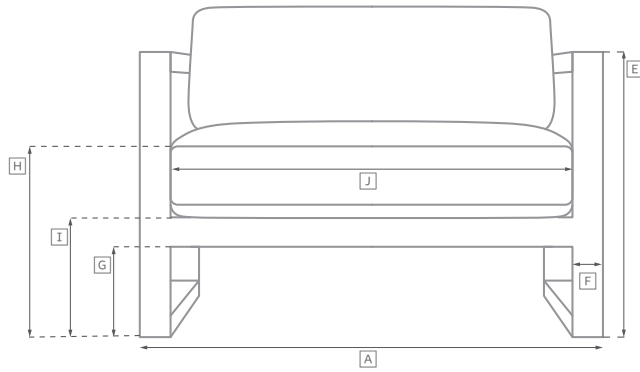
All dimensions are given in inches. See the attached "Dimensions Diagram" sheet for more information on the keys used in this chart.

	OVERALL WIDTH A	OVERALL DEPTH B	OVERALL HEIGHT W/ CUSHION C	FRAME HEIGHT D	ARM HEIGHT E	ARM WIDTH F	FOOT HEIGHT G	SEAT HEIGHT W/ CUSHION H	SEAT HEIGHT (FLOOR TO FRAME) I	INSIDE SEAT WIDTH J	INSIDE SEAT DEPTH K	# OF BACK CUSHIONS	# OF SEAT CUSHIONS
72" SOFA	72	47¼	30½	26	24	2	4	14½	8½	68	45¼	2 + 2 accents	2
84" SOFA	84	47¼	30½	26	24	2	4	14½	8½	80	45¼	2 + 2 accents	2
96" SOFA	96	47¼	30½	26	24	2	4	14½	8½	92	45¼	2 + 2 accents	2
108" SOFA	108	47¼	30½	26	24	2	4	14½	8½	104	45¼	2 + 2 accents	2
120" SOFA	120	47¼	30½	26	24	2	4	14½	8½	116	45¼	2 + 2 accents	2
132" SOFA	132	47¼	30½	26	24	2	4	14½	8½	128	45¼	2 + 2 accents	2
LOUNGE CHAIR	47¼	47¼	30½	26	24	2	4	14½	8½	45¼	45¼	1 + 1 accent	1
CORNER CHAIR	47¼	47¼	30½	26	-	-	4	14½	8½	45¼	45¼	2 + 2 accents	1
ARMLESS CHAIR	47¼	47¼	30½	26	-	-	4	14½	8½	45¼	45¼	1 + 1 accent	1
LEFT-ARM CHAIR	47¼	47¼	30½	26	24	2	4	14½	8½	45¼	45¼	1 + 1 accent	1
RIGHT-ARM CHAIR	47¼	47¼	30½	26	24	2	4	14½	8½	45¼	45¼	1 + 1 accent	1
MODULAR OTTOMAN	47¼	47¼	14½	8½	-	-	4	14½	8½	45¼	45¼	0	1
CHAISE	36	78¼	35½	8½	-	-	4	10¾	8½	34	74¼	1	1
DINING ARMCHAIR	23¼	26½	34	34	26¼	1½	15¾	19	17¼	20	20¾	1	1
DINING SIDE CHAIR	20	26½	34	34	-	-	15¾	19	17¼	20	20¾	1	1

OUTDOOR SEATING DIMENSIONS DIAGRAM

See the "Dimensions Sheet" for the measurements that correspond with the letters below.

RH



OUTDOOR SEATING DIMENSIONS DIAGRAM

See the "Dimensions Sheet" for the measurements that correspond with the letters below.

RH

