

TROUSDALE ALUMINUM SEATING COLLECTION



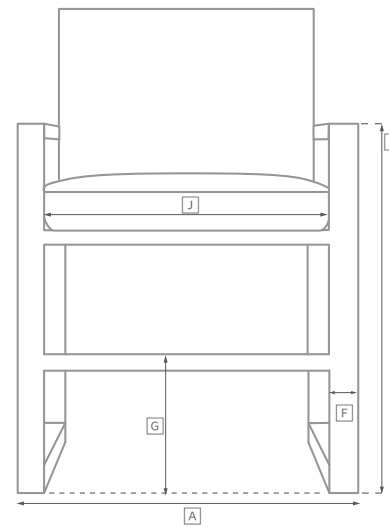
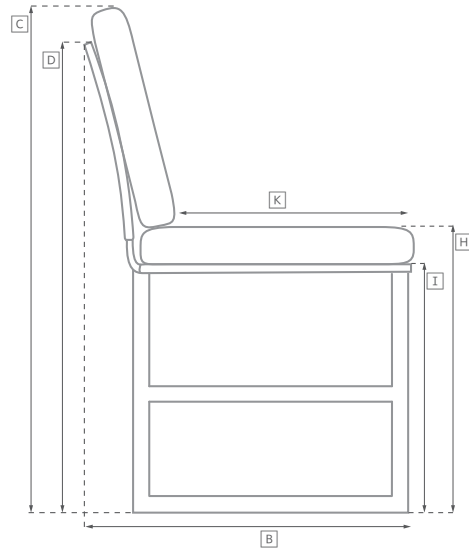
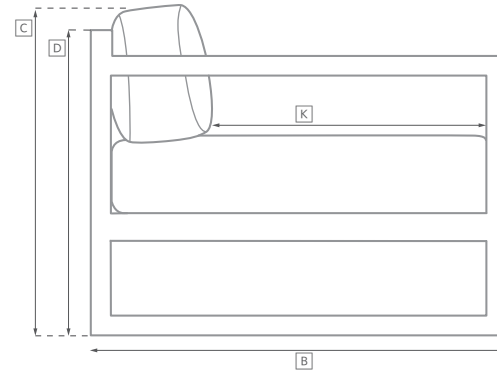
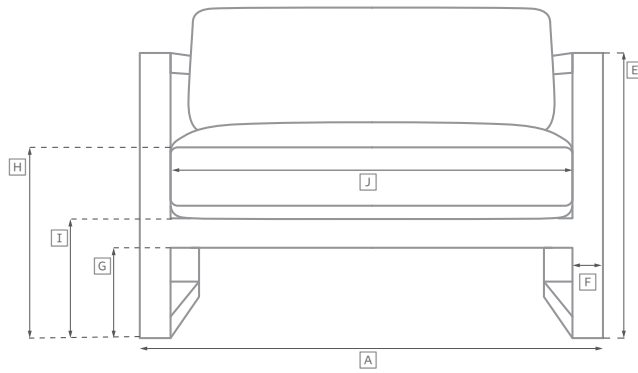
All dimensions are given in inches. See the attached "Dimensions Diagram" sheet for more information on the keys used in this chart.

	OVERALL WIDTH A	OVERALL DEPTH B	OVERALL HEIGHT W/ CUSHION C	FRAME HEIGHT D	ARM HEIGHT E	ARM WIDTH F	FOOT HEIGHT G	SEAT HEIGHT W/ CUSHION H	SEAT HEIGHT (FLOOR TO FRAME) I	INSIDE SEAT WIDTH J	INSIDE SEAT DEPTH K	# OF BACK CUSHIONS	# OF SEAT CUSHIONS
51" SOFA	51	31	36	32½	22	1¼	10½	18	11½	48½	22	1	1
75" SOFA	75½	31	36	32½	22	1¼	10½	18	11½	73	22	2	1
100" SOFA	100	31	36	32½	22	1¼	10½	18	11½	97½	22	2	1
LOUNGE CHAIR	26¾	31	36	32½	22	1¼	10½	18	11½	24¾	22	1	1
CHAISE	29½	78¾	42	37	21	1¼	11¼	15¾	12¾	27¾	50¾	1	1
DINING ARMCHAIR	23	23¾	37	37	25¾	1¼	14¾	18¾	16	20½	18½	0	1
DINING SIDE CHAIR	19	23¾	37	37	NA	NA	14¾	18¾	16	19	18½	0	1

OUTDOOR SEATING DIMENSIONS DIAGRAM

See the "Dimensions Sheet" for the measurements that correspond with the letters below.

RH



OUTDOOR SEATING DIMENSIONS DIAGRAM

See the "Dimensions Sheet" for the measurements that correspond with the letters below.

RH

