

PRADO SEATING COLLECTION



All dimensions are given in inches. See the attached "Dimensions Diagram" sheet for more information on the keys used in this chart.

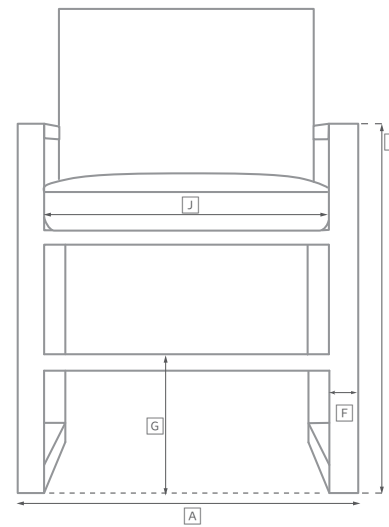
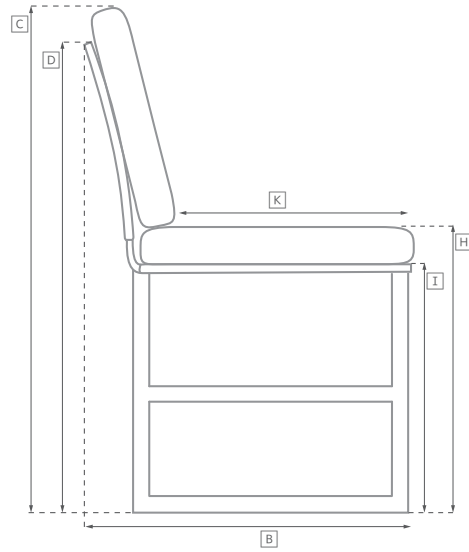
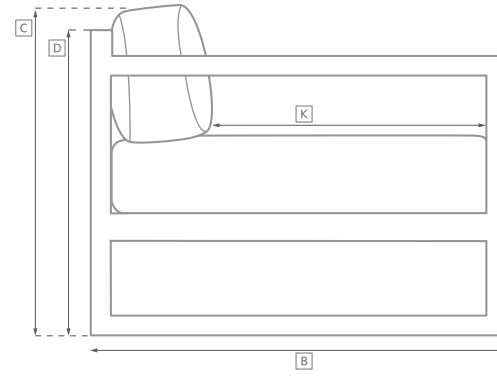
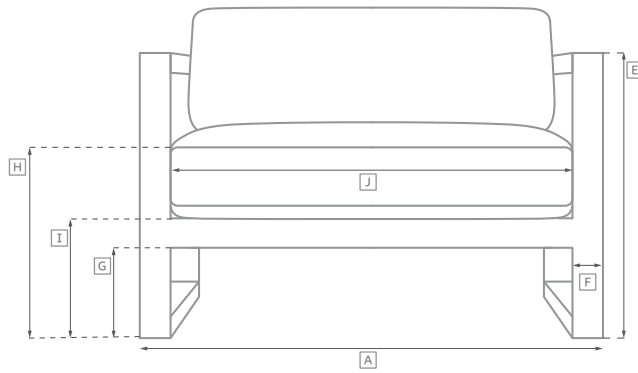
	OVERALL WIDTH A	OVERALL DEPTH B	OVERALL HEIGHT W/ CUSHION C	FRAME HEIGHT D	ARM HEIGHT E	ARM WIDTH F	FOOT HEIGHT G	SEAT HEIGHT W/ CUSHION H	SEAT HEIGHT (FLOOR TO FRAME) I	INSIDE SEAT WIDTH J	INSIDE SEAT DEPTH K	# OF BACK CUSHIONS	# OF SEAT CUSHIONS	WEIGHT
72" SOFA	72	37½	31½	22	22	1¾	1½	14¾	3¾	69¾	36¾	4	1	90
90" SOFA	90	37½	31½	22	22	1¾	1½	14¾	3¾	87¾	36¾	6	1	99
LOUNGE CHAIR*	32	37½	31½	22	22	1¾	1½	14¾	3¾	29¾	36¾	1	1	45
SWIVEL LOUNGE CHAIR*	32	37½	31½	22	22	1¾	3	15¾	4¾	29¾	36¾	1	1	50
OTTOMAN	29¾	29¾	14½	3¾	NA	NA	1½	14½	2¾	29¾	29¾	NA	1	23
CHAISE*	79	36	31½	3¾	21¾	1¾	1½	13¾	3¾	33¾	77¾	1	1	62
DINING SIDE CHAIR	21	22½	33¾	27½	NA	NA	13½	17½	15½	18½	21¾	1	1	17
DINING ARMCHAIR	23½	23½	33¾	27½	27½	1¾	13½	17½	15½	18½	21¾	1	1	26

*INCLUDES A BOLSTER PILLOW

OUTDOOR SEATING DIMENSIONS DIAGRAM

See the "Dimensions Sheet" for the measurements that correspond with the letters below.

RH



OUTDOOR SEATING DIMENSIONS DIAGRAM

See the "Dimensions Sheet" for the measurements that correspond with the letters below.

RH

