

PALOMA TEAK SEATING COLLECTION



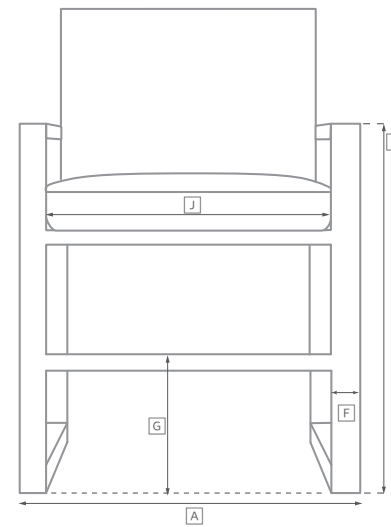
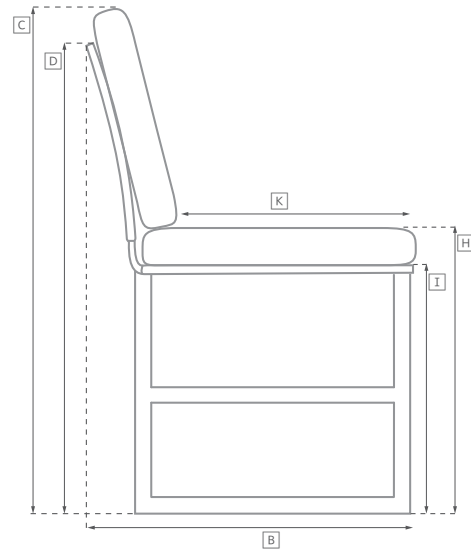
All dimensions are given in inches. See the attached "Dimensions Diagram" sheet for more information on the keys used in this chart.

	OVERALL WIDTH A	OVERALL DEPTH B	OVERALL HEIGHT W/ CUSHION C	FRAME HEIGHT D	ARM HEIGHT E	ARM WIDTH F	FOOT HEIGHT G	SEAT HEIGHT W/ CUSHION H	SEAT HEIGHT (FLOOR TO FRAME) I	INSIDE SEAT WIDTH J	INSIDE SEAT DEPTH K	# OF BACK CUSHIONS	# OF SEAT CUSHIONS
72" SOFA	72	32¾	26	24½	24½	2½	-	16½	8½	67	23	2	1
90" SOFA	90	32¾	26	24½	24½	2½	-	16½	8½	85	23	3	1
106" SOFA	106	32¾	26	24½	24½	2½	-	16½	8½	101	23	3	1
LOUNGE CHAIR	32½	32¾	26	24½	24½	2½	-	16½	8½	27½	23	1	1
SWIVEL CHAIR	32½	32¾	26	24½	24½	2½	-	16½	8½	27½	23	1	1
CHAISE	32½	78¾	35½	30½	-	-	-	15	11	28	46	1	1
TWO-SEAT LEFT-ARM SOFA	61½	32¾	26	24½	24½	2½	-	16½	8½	59	23	2	1
TWO-SEAT RIGHT-ARM SOFA	61½	32¾	26	24½	24½	2½	-	16½	8½	59	23	2	1
TWO-SEAT ARMLESS SOFA	59	32¾	26	24½	-	-	-	16½	8½	59	23	2	1
FOUR-SEAT LEFT-ARM RETURN SOFA	122	32¾	26	24½	24½	2½	-	16½	8½	110	23	4	1
FOUR-SEAT RIGHT-ARM RETURN SOFA	122	32¾	26	24½	24½	2½	-	16½	8½	110	23	4	1
LEFT-ARM CHAISE	34	72¾	26	24½	24½	2½	-	16½	8½	32	64	1	1
RIGHT-ARM CHAISE	34	72¾	26	24½	24½	2½	-	16½	8½	32	64	1	1
ARM CHAIR	23	20	29¾	27	27	2	-	20¾	17¾	19	18	1	1
MESH ARM CHAIR	23	22	32	32	25½	1½	-	18	18	20	17	-	-

OUTDOOR SEATING DIMENSIONS DIAGRAM

See the "Dimensions Sheet" for the measurements that correspond with the letters below.

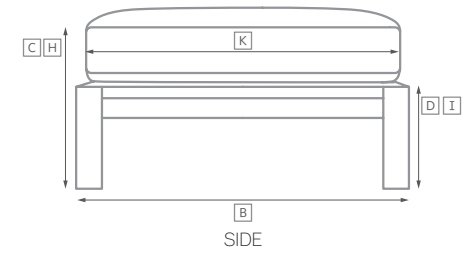
RH



OUTDOOR SEATING DIMENSIONS DIAGRAM

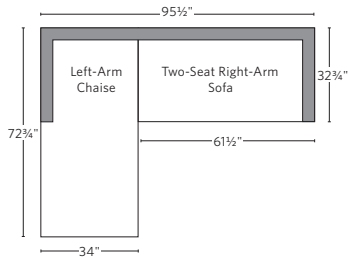
See the "Dimensions Sheet" for the measurements that correspond with the letters below.

RH

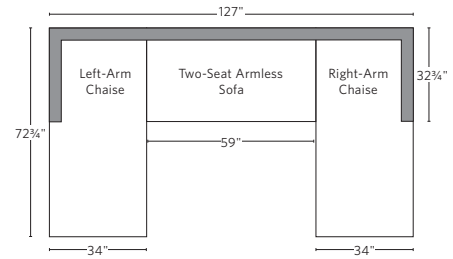


SOFA CHAISE SECTIONAL

Available in left and right-arm configurations.

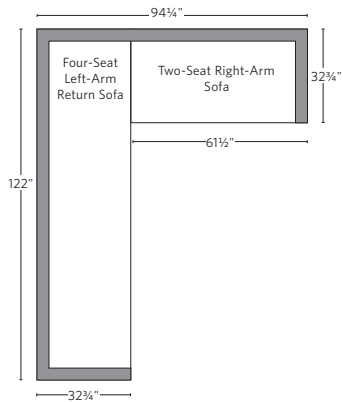


U-CHAISE SECTIONAL



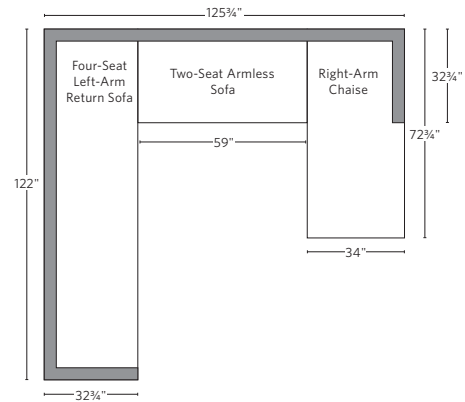
L-SECTIONAL

Available in left and right-arm configurations.



U-SOFA CHAISE SECTIONAL

Available in left and right-arm configurations.



U-SOFA SECTIONAL

