

HAVANA SEATING COLLECTION



All dimensions are given in inches. See the attached "Dimensions Diagram" sheet for more information on the keys used in this chart.

	OVERALL WIDTH A	OVERALL DEPTH B	OVERALL HEIGHT W/ CUSHION C	FRAME HEIGHT D	ARM HEIGHT E	ARM WIDTH F	FOOT HEIGHT G	SEAT HEIGHT W/ CUSHION H	SEAT HEIGHT (FLOOR TO FRAME) I	INSIDE SEAT WIDTH J	INSIDE SEAT DEPTH K	# OF BACK CUSHIONS	# OF SEAT CUSHIONS
68" CLASSIC SOFA	68	33¾	30	26½	19½	1¼	-	15	4	65½	23½	2	1
84" CLASSIC SOFA	84	33¾	30	26½	19½	1¼	-	15	4	81½	23½	3	1
100" CLASSIC SOFA	100	33¾	30	26½	19½	1¼	-	15	4	97½	23½	4	1
72" LUXE SOFA	72	35¾	34	30	22½	1¼	NA	16	4	69½	26	2	1
90" LUXE SOFA	90	35¾	34	30	22½	1¼	NA	16	4	87½	26	3	1
108" LUXE SOFA	108	35¾	34	30	22½	1¼	NA	16	4	105½	26	4	1
CLASSIC LOUNGE CHAIR	33	33¾	30	26½	19½	1¼	-	15	4	30½	23½	1	1
LUXE LOUNGE CHAIR	33	35¾	34	30	22½	1¼	NA	16	4	30½	26	1	1
CLASSIC SWIVEL LOUNGE CHAIR	33	33¾	30¾	27¾	20¾	1¼	-	15¾	4¾	30½	23½	1	1
LUXE SWIVEL LOUNGE CHAIR	33	35¾	34	30	22½	1¼	NA	17¾	5¾	30½	26	1	1
CLASSIC OTTOMAN	31	25	15	4	-	-	-	15	4	31	25	0	1
LUXE OTTOMAN	31	26	16	4	NA	NA	NA	16	4	31	26	0	1
CHAISE	28	79	26	24	-	-	-	9	5	28	50	1	1
DAYBED	57	68½	30	26½	19½	1	-	14	4	55	61	2	1

HAVANA SEATING COLLECTION



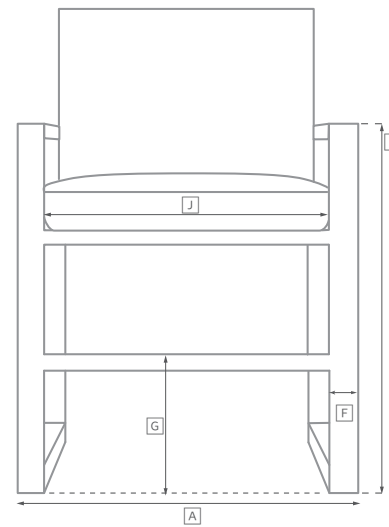
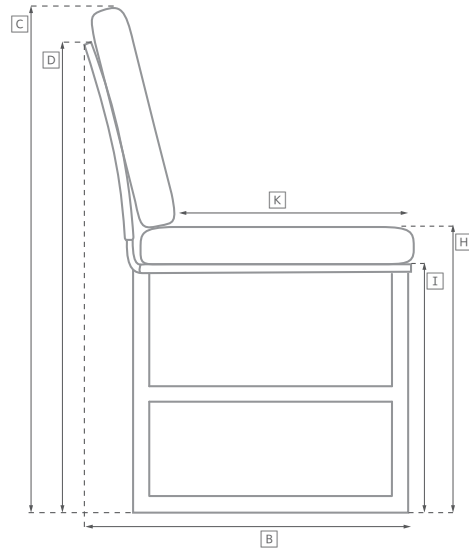
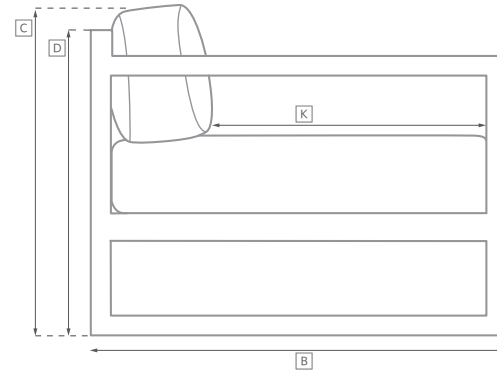
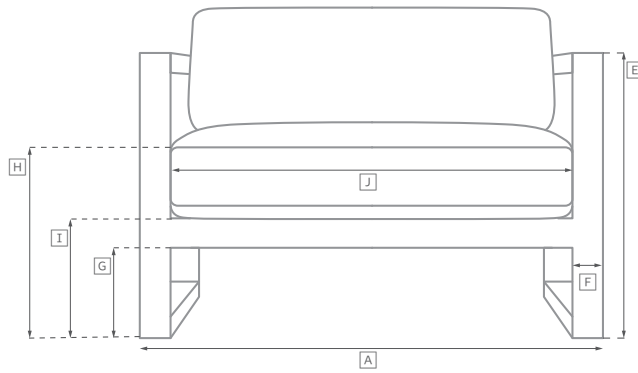
All dimensions are given in inches. See the attached "Dimensions Diagram" sheet for more information on the keys used in this chart.

	OVERALL WIDTH A	OVERALL DEPTH B	OVERALL HEIGHT W/ CUSHION C	FRAME HEIGHT D	ARM HEIGHT E	ARM WIDTH F	FOOT HEIGHT G	SEAT HEIGHT W/ CUSHION H	SEAT HEIGHT (FLOOR TO FRAME) I	INSIDE SEAT WIDTH J	INSIDE SEAT DEPTH K	# OF BACK CUSHIONS	# OF SEAT CUSHIONS
CLASSIC TWO-SEAT LEFT-ARM SOFA	61	33½	30	26½	19½	1¼	-	15	4	60	23½	2	1
CLASSIC TWO-SEAT RIGHT-ARM SOFA	61	33½	30	26½	19½	1¼	-	15	4	60	23½	2	1
CLASSIC FOUR-SEAT LEFT-ARM RETURN SOFA	124¾	33½	30	26½	19½	1¼	-	15	4	107	23½	5	1
CLASSIC FOUR-SEAT RIGHT-ARM RETURN SOFA	124¾	33½	30	26½	19½	1¼	-	15	4	107	23½	5	1
CLASSIC LEFT-ARM CHAISE	30	70½	30	26½	19½	1¼	-	15	4	30	65	1	1
CLASSIC RIGHT-ARM CHAISE	30	70½	30	26½	19½	1¼	-	15	4	30	65	1	1
BENCH	73	26	34	31	25	1¼	-	18	15	69	17	3	1
DINING ARMCHAIR	23	24	32½	32½	29	1¼	-	20	18	20½	18½	1	1
FAN CHAIR	36	32	42	42	-	-	-	18	14	24	23	1	1
BARSTOOL	21	23	35½	35½	31½	1¼	10	30½	29	19	17½	-	1
COUNTER STOOL	21	23	30½	30½	26½	1¼	6	25½	24	19	17½	-	1

OUTDOOR SEATING DIMENSIONS DIAGRAM

See the "Dimensions Sheet" for the measurements that correspond with the letters below.

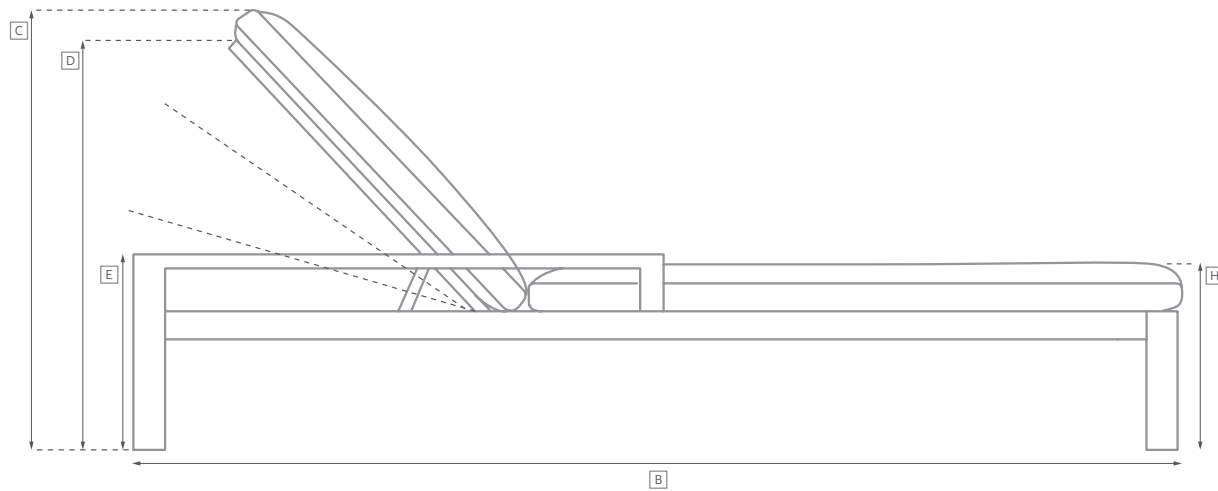
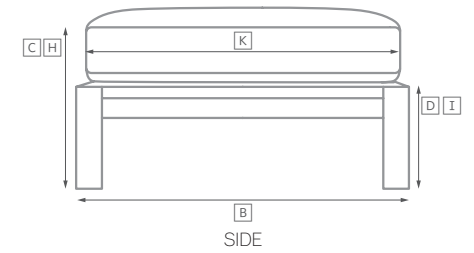
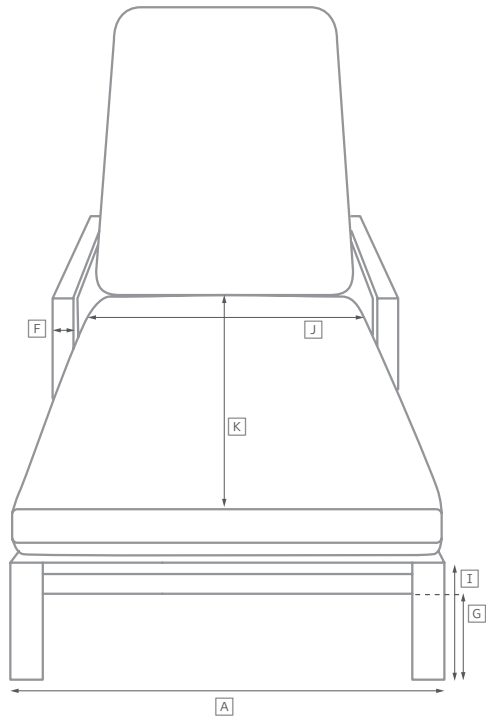
RH



OUTDOOR SEATING DIMENSIONS DIAGRAM

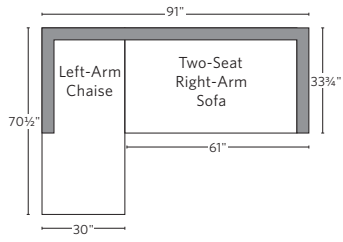
See the "Dimensions Sheet" for the measurements that correspond with the letters below.

RH



SOFA CHAISE SECTIONAL

Available in left and right-arm configurations.



L-SECTIONAL

Available in left and right-arm configurations.

