

GREYSTONE ALUMINUM SEATING COLLECTION



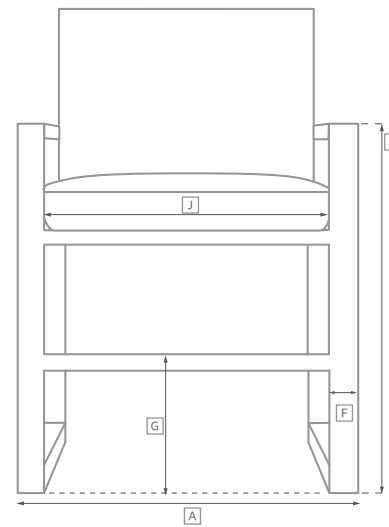
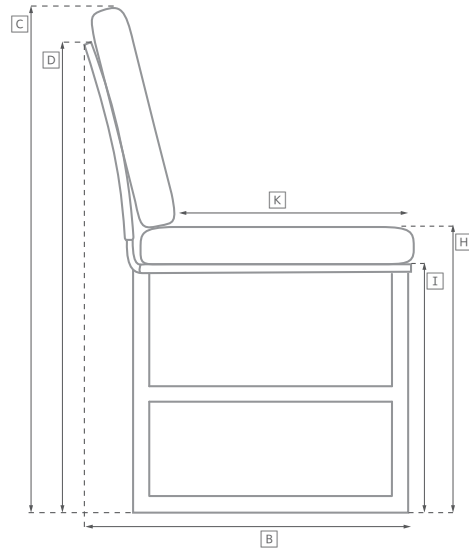
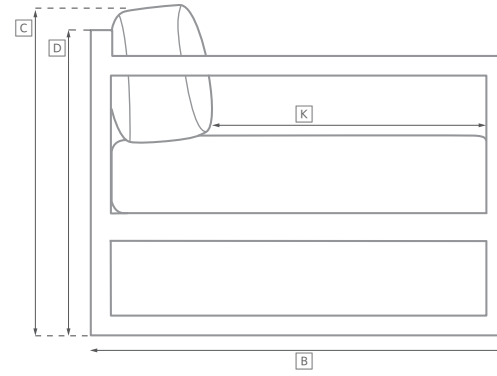
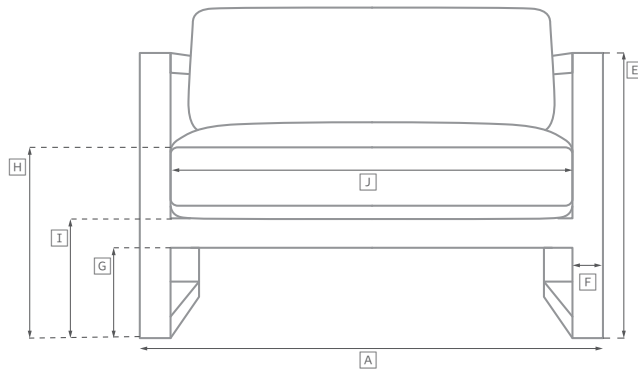
All dimensions are given in inches. See the attached "Dimensions Diagram" sheet for more information on the keys used in this chart.

	OVERALL WIDTH A	OVERALL DEPTH B	OVERALL HEIGHT W/ CUSHION C	FRAME HEIGHT D	ARM HEIGHT E	ARM WIDTH F	FOOT HEIGHT G	SEAT HEIGHT W/ CUSHION H	SEAT HEIGHT (FLOOR TO FRAME) I	INSIDE SEAT WIDTH J	INSIDE SEAT DEPTH K	# OF BACK CUSHIONS	# OF SEAT CUSHIONS
60" SOFA	60	31	32	28¾	24¾	1¾	8½	16	10½	57½	20½	2	1
84" SOFA	84	31	32	28¾	24¾	1¾	8½	16	10½	70	20½	2	1
108" SOFA	108	31	32	28¾	24¾	1¾	8½	16	10½	105½	20½	3	1
LOUNGE CHAIR	29	31	32	28¾	24¾	1¾	8½	16	10½	26½	20½	1	1
OTTOMAN	29	22	16	10½	NA	NA	8½	16	10½	29	22	0	1
CHAISE	27	80	38	33	NA	NA	5½	13	9¾	27	52	1	1
DINING ARMCHAIR	21¾	23¾	33	30	24½	1¾	15	19¾	17	19½	19½	1	1

OUTDOOR SEATING DIMENSIONS DIAGRAM

See the "Dimensions Sheet" for the measurements that correspond with the letters below.

RH



OUTDOOR SEATING DIMENSIONS DIAGRAM

See the "Dimensions Sheet" for the measurements that correspond with the letters below.

RH

