

BONDI METAL SEATING COLLECTION



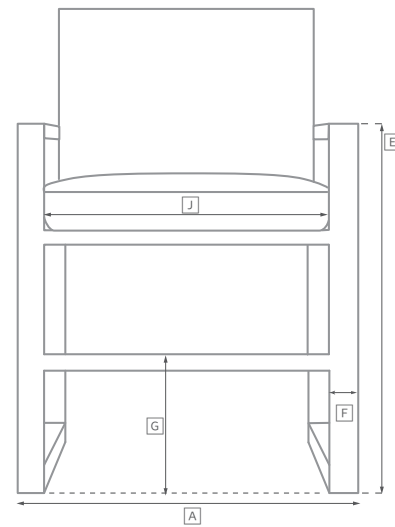
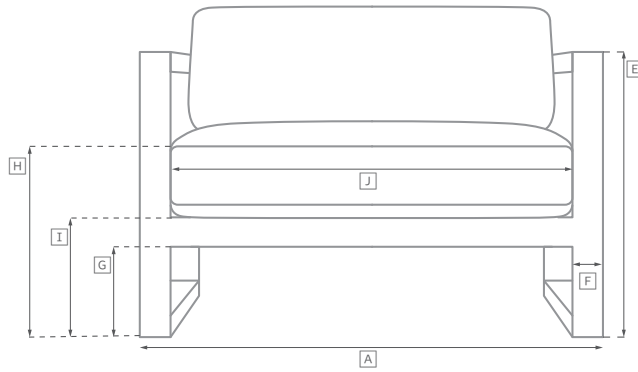
All dimensions are given in inches. See the attached "Dimensions Diagram" sheet for more information on the keys used in this chart.

	OVERALL WIDTH A	OVERALL DEPTH B	OVERALL HEIGHT W/ CUSHION C	FRAME HEIGHT D	ARM HEIGHT E	ARM WIDTH F	FOOT HEIGHT G	SEAT HEIGHT W/ CUSHION H	SEAT HEIGHT (FLOOR TO FRAME) I	INSIDE SEAT WIDTH J	INSIDE SEAT DEPTH K	# OF BACK CUSHIONS	# OF SEAT CUSHIONS
LOUNGE CHAIR	24	26¼	30¼	30¼	21¼	1½	NA	16	14	21¼	24	0	1
DINING ARMCHAIR	22	23¼	33	33	24¼	1½	NA	20	18	19¼	19¼	0	1
BARSTOOL	20½	20¼	46	46	37½	1½	12½	32	30	17½	16¼	0	1
COUNTER STOOL	20½	20¼	42	42	33¼	1½	9	28	26	17½	16¼	0	1

OUTDOOR SEATING DIMENSIONS DIAGRAM

See the "Dimensions Sheet" for the measurements that correspond with the letters below.

RH



OUTDOOR SEATING DIMENSIONS DIAGRAM

See the "Dimensions Sheet" for the measurements that correspond with the letters below.

RH

