

BISCAYNE SEATING COLLECTION



All dimensions are given in inches. See the attached "Dimensions Diagram" sheet for more information on the keys used in this chart.

	OVERALL WIDTH A	OVERALL DEPTH B	OVERALL HEIGHT W/ CUSHION C	FRAME HEIGHT D	ARM HEIGHT E	ARM WIDTH F	FOOT HEIGHT G	SEAT HEIGHT W/ CUSHION H	SEAT HEIGHT (FLOOR TO FRAME) I	INSIDE SEAT WIDTH J	INSIDE SEAT DEPTH K	# OF BACK CUSHIONS	# OF SEAT CUSHIONS
55" CLASSIC SOFA	55	34¾	27¾	25¾	20½	5½	1¼	14	9½	44	27	2	1
77" CLASSIC SOFA	77	34¾	27¾	25¾	20½	5½	1¼	14	9½	66	27	3	1
99" CLASSIC SOFA	99	34¾	27¾	25¾	20½	5½	1¼	14	9½	88	27	2	1
63" LUXE SOFA	63	39	29	27	22	6½	1½	14¾	9½	50	30½	2	1
88" LUXE SOFA	88	39	29	27	22	6½	1½	14¾	9½	75	30½	3	1
113" LUXE SOFA	113	39	29	27	22	6½	1½	14¾	9½	100	30½	2	1
CLASSIC LOUNGE CHAIR	33	34¾	27¾	25¾	20½	5½	1¼	14	9½	22	27	1	1
LUXE LOUNGE CHAIR	38	39	29	27	22	6½	1½	14¾	9½	25	30½	1	1
LUXE SWIVEL LOUNGE CHAIR	38	39	29	27	22	6½	-	14¾	9½	25	30½	1	1
CLASSIC OTTOMAN	33	22	14	9½	-	-	1¼	14	9½	33	22	-	1
LUXE OTTOMAN	37½	24½	14¾	9½	-	-	1½	14¾	9½	37½	24½	-	1
COFFEE TABLE OTTOMAN	62	37½	14¾	9½	-	-	1½	14¾	9½	62	37½	-	1
CHAISE	28	77	37	34½	-	-	1½	12	9½	28	48½	1	1
DOUBLE CHAISE	56	77½	37	34½	-	-	1½	12	9½	55½	48½	2	1

BISCAYNE SEATING COLLECTION



All dimensions are given in inches. See the attached "Dimensions Diagram" sheet for more information on the keys used in this chart.

	OVERALL WIDTH A	OVERALL DEPTH B	OVERALL HEIGHT W/ CUSHION C	FRAME HEIGHT D	ARM HEIGHT E	ARM WIDTH F	FOOT HEIGHT G	SEAT HEIGHT W/ CUSHION H	SEAT HEIGHT (FLOOR TO FRAME) I	INSIDE SEAT WIDTH J	INSIDE SEAT DEPTH K	# OF BACK CUSHIONS	# OF SEAT CUSHIONS
CLASSIC ARMLESS CHAIR	22	34¾	27¾	25¾	-	-	1¼	14	9½	22	27	1	1
LUXE ARMLESS CHAIR	25	39	29	27	-	-	1½	14¾	9½	25	30½	1	1
CLASSIC TWO-SEAT ARMLESS SOFA	44	34¾	27¾	25¾	-	-	1¼	14	9½	44	27	2	1
LUXE TWO-SEAT ARMLESS SOFA	50	39	29	27	-	-	1½	14¾	9½	50	30½	2	1
CLASSIC THREE-SEAT ARMLESS SOFA	66	34¾	27¾	25¾	-	-	1¼	14	9½	66	27	3	1
LUXE THREE-SEAT ARMLESS SOFA	75	39	29	27	-	-	1½	14¾	9½	75	30½	3	1
CLASSIC CORNER CHAIR	34¾	34¾	27¾	25¾	-	-	1¼	14	9½	27	27	2	1
LUXE CORNER CHAIR	39	39	29	27	-	-	1½	14¾	9½	30½	30½	2	1
CLASSIC LEFT-ARM CHAISE	27½	65	27¾	25¾	20½	5½	1¼	14	9½	27½	57¾	1	1
LUXE LEFT-ARM CHAISE	31	70	29	27	22	6½	1½	14¾	9½	31	62	1	1
CLASSIC RIGHT-ARM CHAISE	27½	65	27¾	25¾	20½	5½	1¼	14	9½	27½	57¾	1	1
LUXE RIGHT-ARM CHAISE	31	70	29	27	22	6½	1½	14¾	9½	31	62	1	1
CLASSIC TWO-SEAT LEFT-ARM SOFA	49½	34¾	27¾	25¾	20½	5½	1¼	14	9½	44	27	2	1
LUXE TWO-SEAT LEFT-ARM SOFA	56½	39	29	27	22	6½	1½	14¾	9½	50	30½	2	1

BISCAYNE SEATING COLLECTION



All dimensions are given in inches. See the attached "Dimensions Diagram" sheet for more information on the keys used in this chart.

	OVERALL WIDTH A	OVERALL DEPTH B	OVERALL HEIGHT W/ CUSHION C	FRAME HEIGHT D	ARM HEIGHT E	ARM WIDTH F	FOOT HEIGHT G	SEAT HEIGHT W/ CUSHION H	SEAT HEIGHT (FLOOR TO FRAME) I	INSIDE SEAT WIDTH J	INSIDE SEAT DEPTH K	# OF BACK CUSHIONS	# OF SEAT CUSHIONS
CLASSIC TWO-SEAT RIGHT-ARM SOFA	49½	34¾	27¾	25¾	20½	5½	1¾	14	9½	44	27	2	1
LUXE TWO-SEAT RIGHT-ARM SOFA	56½	39	29	27	22	6½	1½	14¾	9½	50	30½	2	1
CLASSIC THREE-SEAT LEFT-ARM SOFA	71½	34¾	27¾	25¾	20½	5½	1¾	14	9½	66	27	3	1
LUXE THREE-SEAT LEFT-ARM SOFA	81½	39	29	27	22	6½	1½	14¾	9½	75	30½	3	1
CLASSIC THREE-SEAT RIGHT-ARM SOFA	71½	34¾	27¾	25¾	20½	5½	1¾	14	9½	66	27	3	1
LUXE THREE-SEAT RIGHT-ARM SOFA	81½	39	29	27	22	6½	1½	14¾	9½	75	30½	3	1
CLASSIC THREE-SEAT LEFT-ARM RETURN SOFA	83½	34¾	27¾	25¾	20½	5½	1¾	14	9½	69½	27	3	1
LUXE THREE-SEAT LEFT-ARM RETURN SOFA	95½	39	29	27	22	6½	1½	14¾	9½	80½	30½	3	1
CLASSIC THREE-SEAT RIGHT-ARM RETURN SOFA	83½	34¾	27¾	25¾	20½	5½	1¾	14	9½	69½	27	3	1
LUXE THREE-SEAT RIGHT-ARM RETURN SOFA	95½	39	29	27	22	6½	1½	14¾	9½	80½	30½	3	1
CLASSIC FOUR-SEAT LEFT-ARM RETURN SOFA	105¾	34¾	27¾	25¾	20½	5½	1¾	14	9½	91¾	27	3	1
CLASSIC FOUR-SEAT RIGHT-ARM RETURN SOFA	105¾	34¾	27¾	25¾	20½	5½	1¾	14	9½	91¾	27	3	1
LUXE ROUNDED CORNER CHAIR	71½	41½	29	27	-	-	1½	14¾	9½	60	30½	3	1
DINING CUBE	17	17	19½	17½	-	-	1¾	19½	17	17	17	-	1

BISCAYNE SEATING COLLECTION



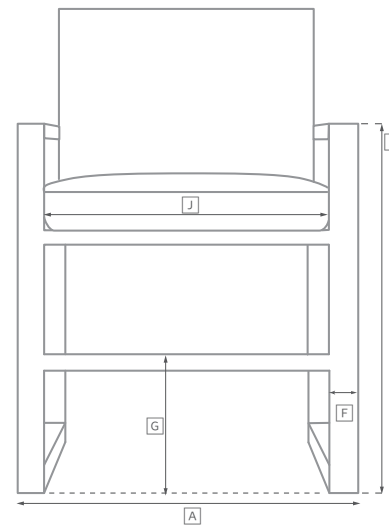
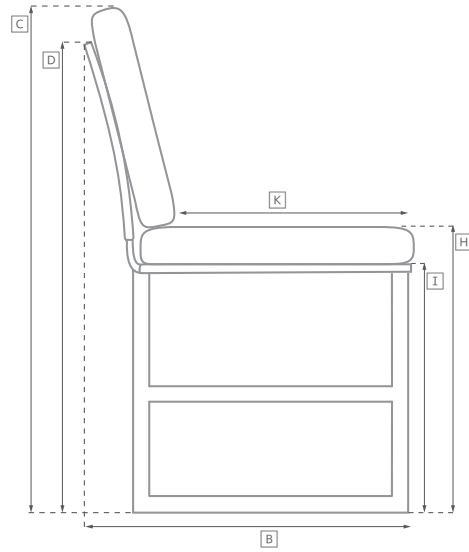
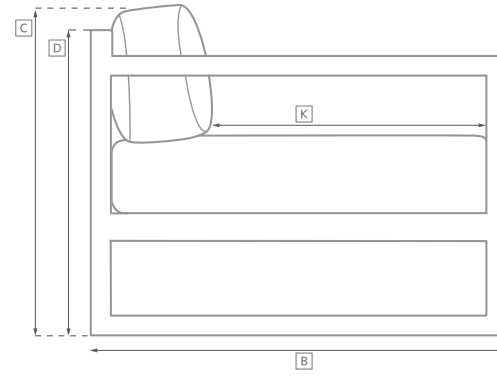
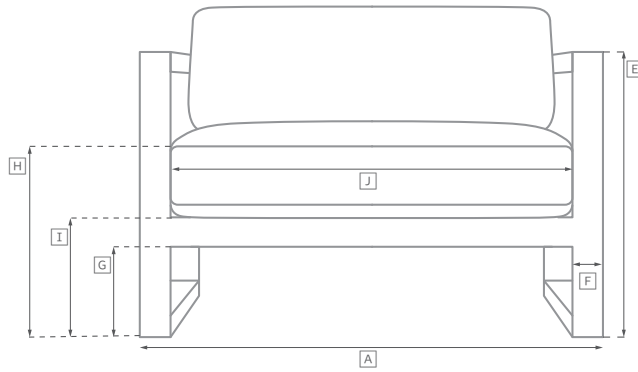
All dimensions are given in inches. See the attached "Dimensions Diagram" sheet for more information on the keys used in this chart.

	OVERALL WIDTH A	OVERALL DEPTH B	OVERALL HEIGHT W/ CUSHION C	FRAME HEIGHT D	ARM HEIGHT E	ARM WIDTH F	FOOT HEIGHT G	SEAT HEIGHT W/ CUSHION H	SEAT HEIGHT (FLOOR TO FRAME) I	INSIDE SEAT WIDTH J	INSIDE SEAT DEPTH K	# OF BACK CUSHIONS	# OF SEAT CUSHIONS
SIDE CHAIR	19	27	32	32	-	-	1½	19½	17	19	20	1	1
ARMCHAIR	24½	28	32	32	25	3	1½	19½	17	19	20	1	1

OUTDOOR DIMENSIONS DIAGRAM

See the "Dimensions Sheet" for the measurements that correspond with the letters below.

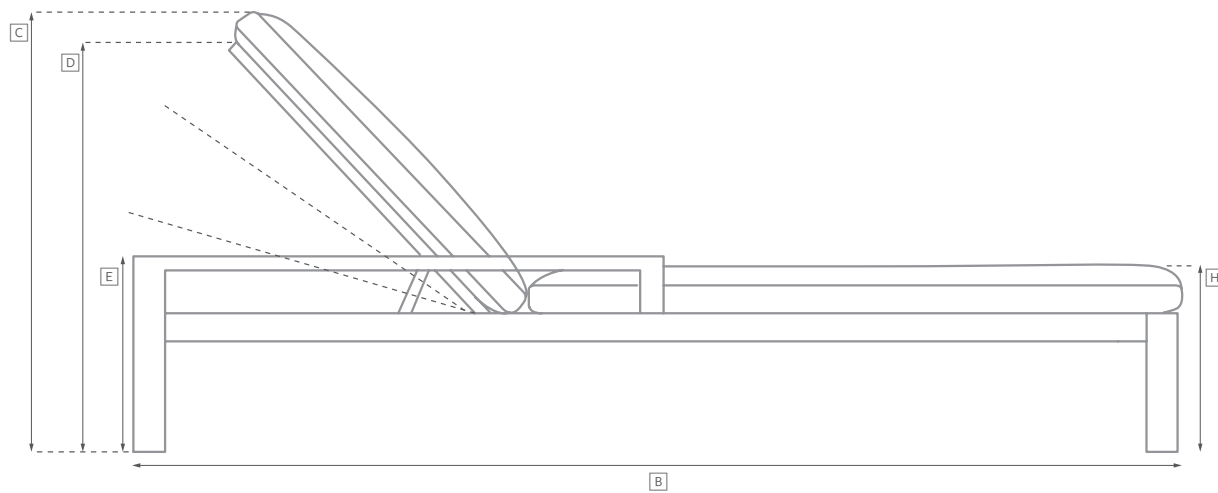
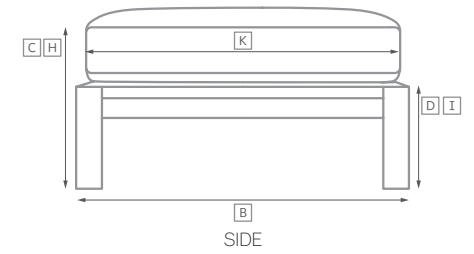
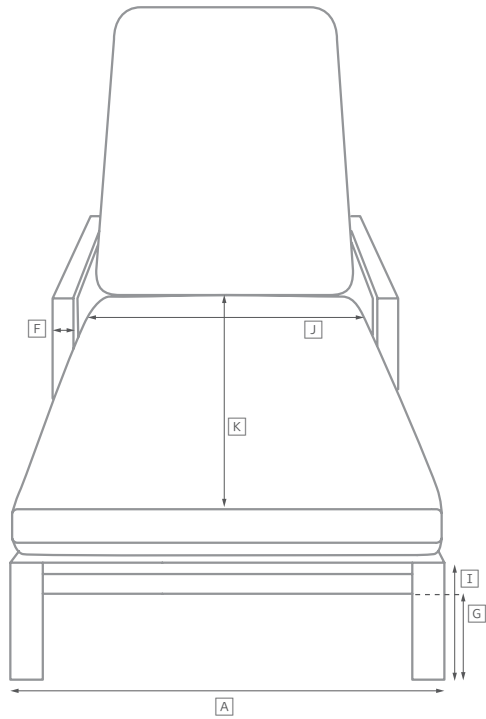
RH



OUTDOOR DIMENSIONS DIAGRAM

See the "Dimensions Sheet" for the measurements that correspond with the letters below.

RH



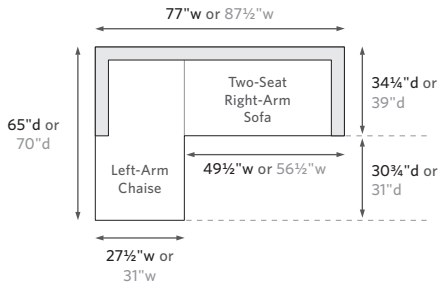
BISCAYNE COLLECTION



When configuring a sectional, please choose either Luxe or Classic depth for all components.

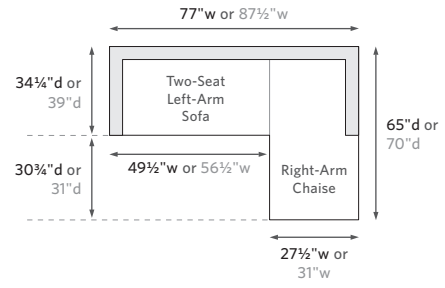
LEFT-ARM SOFA CHAISE SECTIONAL

77" Classic Left-Arm Sofa Chaise: 77"w x 65"d x 25½"h Overall
 87½" Luxe Left-Arm Sofa Chaise: 87½"w x 70"d x 27"h Overall



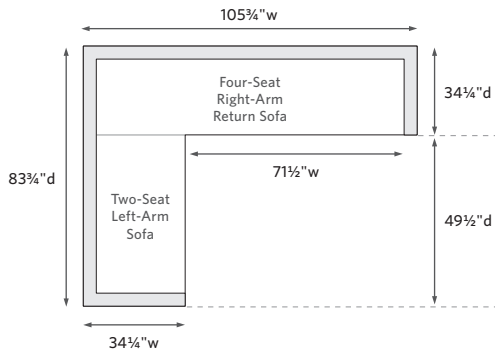
RIGHT-ARM SOFA CHAISE SECTIONAL

77" Classic Right-Arm Sofa Chaise: 77"w x 65"d x 25½"h Overall
 87½" Luxe Right-Arm Sofa Chaise: 87½"w x 70"d x 27"h Overall



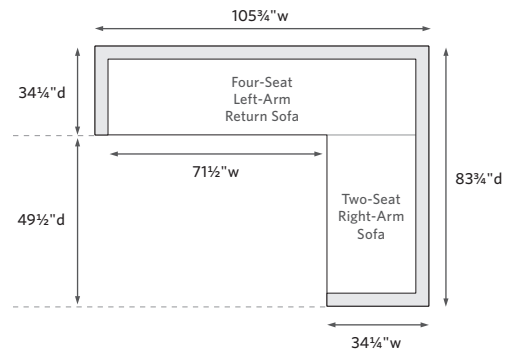
LEFT-ARM L-SECTIONAL

105¾" Classic Left-Arm L-Sectional: 105¾"w x 83¾"d x 25¾"h Overall



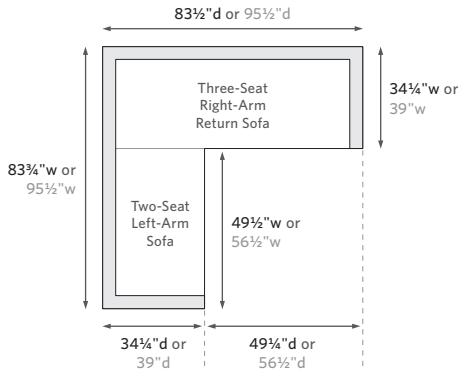
RIGHT-ARM L-SECTIONAL

105¾" Classic Right-Arm L-Sectional: 105¾"w x 83¾"d x 25¾"h Overall



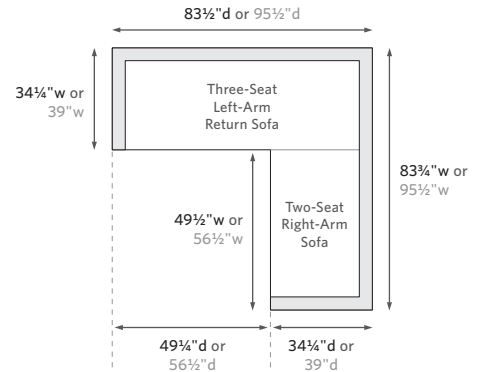
LEFT-ARM CORNER SECTIONAL

83¾" Classic Corner Sectional: 83¾"w x 83¾"d x 25¾"h Overall
 95½" Luxe Corner Sectional: 95½"w x 95½"d x 27"h Overall



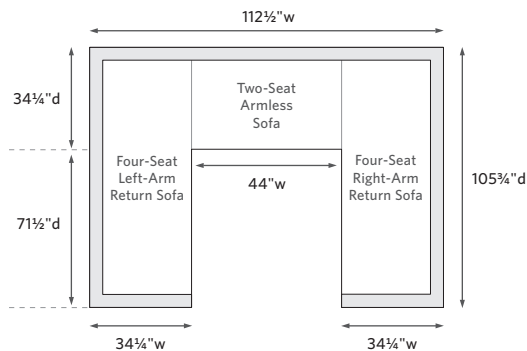
RIGHT-ARM CORNER SECTIONAL

83¾" Classic Corner Sectional: 83¾"w x 83¾"d x 25¾"h Overall
 95½" Luxe Corner Sectional: 95½"w x 95½"d x 27"h Overall



U-SOFA SECTIONAL

112½" Classic U-Sofa Sectional: 112½"w x 105¾"d x 25¾"h Overall



U-CHAISE SECTIONAL

99" Classic U-Chaise Sectional: 99"w x 65"d x 25¾"h Overall

