

BELVEDERE TEAK SEATING COLLECTION



All dimensions are given in inches. See the attached "Dimensions Diagram" sheet for more information on the keys used in this chart.

	OVERALL WIDTH A	OVERALL DEPTH B	OVERALL HEIGHT W/ CUSHION C	FRAME HEIGHT D	ARM HEIGHT E	ARM WIDTH F	FOOT HEIGHT G	SEAT HEIGHT W/ CUSHION H	SEAT HEIGHT (FLOOR TO FRAME) I	INSIDE SEAT WIDTH J	INSIDE SEAT DEPTH K	# OF BACK CUSHIONS	# OF SEAT CUSHIONS
51½" CLASSIC SOFA	51½	34½	31½	28	18¾	3¾	2¾	15	9	43¾	22½	1	1
74" CLASSIC SOFA	74	34½	31½	28	18¾	3¾	2¾	15	9	66½	22½	2	1
96" CLASSIC SOFA	96	34½	31½	28	18¾	3¾	2¾	15	9	88¾	22½	2	1
54½" LUXE SOFA	54½	38	34	30½	20¾	4½	2¾	17	9¾	45½	24½	1	1
78" LUXE SOFA	78	38	34	30½	20¾	4½	2¾	17	9¾	69	24½	2	1
101¼" LUXE SOFA	101¼	38	34	30½	20¾	4½	2¾	17	9¾	92¼	24½	2	1
CLASSIC LOUNGE CHAIR	29¾	34½	31½	28	18¾	3¾	2¾	15	9	21¾	22½	1	1
LUXE LOUNGE CHAIR	32	38	34	30½	20¾	4½	2¾	17	9¾	23	24½	1	1
CLASSIC SWIVEL LOUNGE CHAIR	29¾	34¾	31½	28	18¾	3¾	2¾	13½	8	21¾	22½	1	1
LUXE SWIVEL LOUNGE CHAIR	32	38	34	30½	20¾	4½	2¾	17	9¾	23	24½	1	1
CLASSIC OTTOMAN	29¾	29¾	15	9	-	-	2¾	15	9	29¾	29¾	-	1
LUXE OTTOMAN	32	32	17	9¾	-	-	2¾	17	9¾	32	32	-	1
CHAISE	29½	78¾	29½	27½	-	-	2¾	12¾	9¾	27½	45¾	1	1
DOUBLE CHAISE	55	78¾	29½	27½	-	-	2¾	12¾	9¾	53	45¾	2	1

BELVEDERE TEAK SEATING COLLECTION



All dimensions are given in inches. See the attached "Dimensions Diagram" sheet for more information on the keys used in this chart.

	OVERALL WIDTH A	OVERALL DEPTH B	OVERALL HEIGHT W/ CUSHION C	FRAME HEIGHT D	ARM HEIGHT E	ARM WIDTH F	FOOT HEIGHT G	SEAT HEIGHT W/ CUSHION H	SEAT HEIGHT (FLOOR TO FRAME) I	INSIDE SEAT WIDTH J	INSIDE SEAT DEPTH K	# OF BACK CUSHIONS	# OF SEAT CUSHIONS
DAYBED	60	71	30	26½	-	-	2¼	17	9¾	58	64	1	1
CLASSIC TWO-SEAT ARMLESS SOFA	48¾	34¾	31½	28	18¾	3¾	2¼	15	9	48¾	22¼	1	1
LUXE TWO-SEAT ARMLESS SOFA	51	38	34	30½	-	-	2¼	17	9¾	51	24½	1	1
CLASSIC TWO-SEAT LEFT-ARM SOFA	50	34¾	31½	28	18¾	3¾	2¼	15	9	46¾	22½	1	1
LUXE TWO-SEAT LEFT-ARM SOFA	52½	38	34	30½	20¾	4½	2¼	17	9¾	48	24½	1	1
CLASSIC TWO-SEAT RIGHT-ARM SOFA	50	34¾	31½	28	18¾	3¾	2¼	15	9	46¾	22½	1	1
LUXE TWO-SEAT RIGHT-ARM SOFA	52½	38	34	30½	20¾	4½	2¼	17	9¾	48	24½	1	1
CLASSIC FOUR-SEAT LEFT-ARM RETURN SOFA	105½	34¾	31½	28	18¾	3¾	2¼	15	9	95	22½	3	1
LUXE FOUR-SEAT LEFT-ARM RETURN SOFA	114½	38	34	30½	20¾	4½	2¼	17	9¾	97	24½	3	1
CLASSIC FOUR-SEAT RIGHT-ARM RETURN SOFA	105½	34¾	31½	28	18¾	3¾	2¼	15	9	95	22½	3	1
LUXE FOUR-SEAT RIGHT-ARM RETURN SOFA	114½	38	34	30½	20¾	4½	2¼	17	9¾	97	24½	3	1
DINING SIDE CHAIR	20	23½	35½	35½	-	-	-	19½	17½	20	18½	-	1
DINING ARMCHAIR	24	23½	35½	35½	24¾	2	-	19½	17½	20	18½	-	1
BARSTOOL	19¾	23¾	46	46	-	-	10¾	30	28	19¾	17½	0	1

BELVEDERE TEAK SEATING COLLECTION



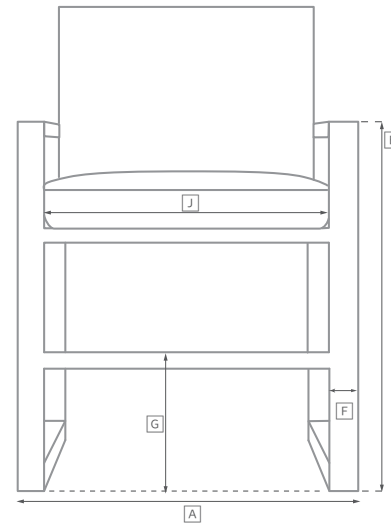
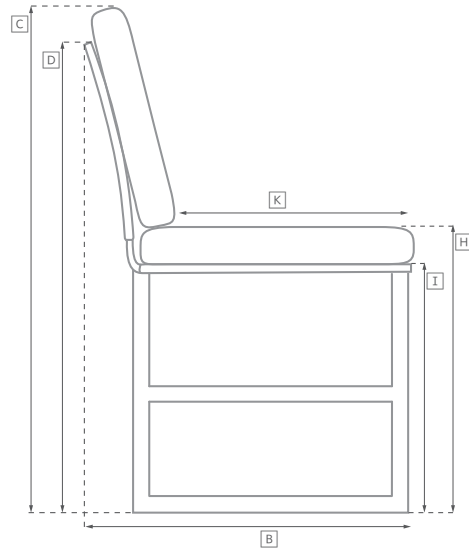
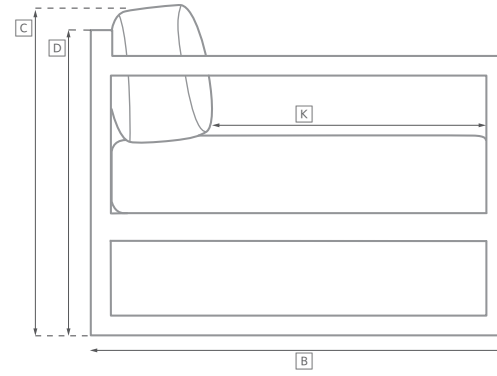
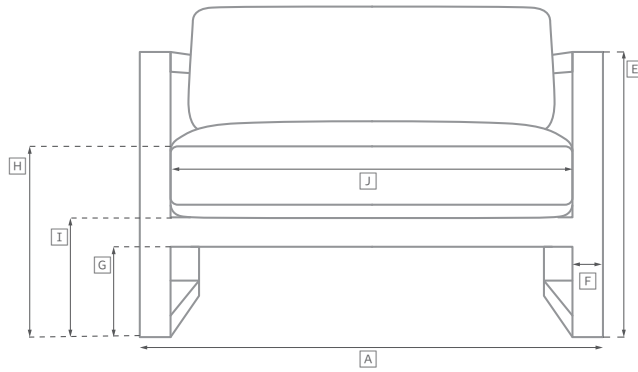
All dimensions are given in inches. See the attached "Dimensions Diagram" sheet for more information on the keys used in this chart.

	OVERALL WIDTH A	OVERALL DEPTH B	OVERALL HEIGHT W/ CUSHION C	FRAME HEIGHT D	ARM HEIGHT E	ARM WIDTH F	FOOT HEIGHT G	SEAT HEIGHT W/ CUSHION H	SEAT HEIGHT (FLOOR TO FRAME) I	INSIDE SEAT WIDTH J	INSIDE SEAT DEPTH K	# OF BACK CUSHIONS	# OF SEAT CUSHIONS
COUNTER STOOL	19¼	23¼	43	43	-	-	8	27	25	19¼	17½	0	1

OUTDOOR SEATING DIMENSIONS DIAGRAM

See the "Dimensions Sheet" for the measurements that correspond with the letters below.

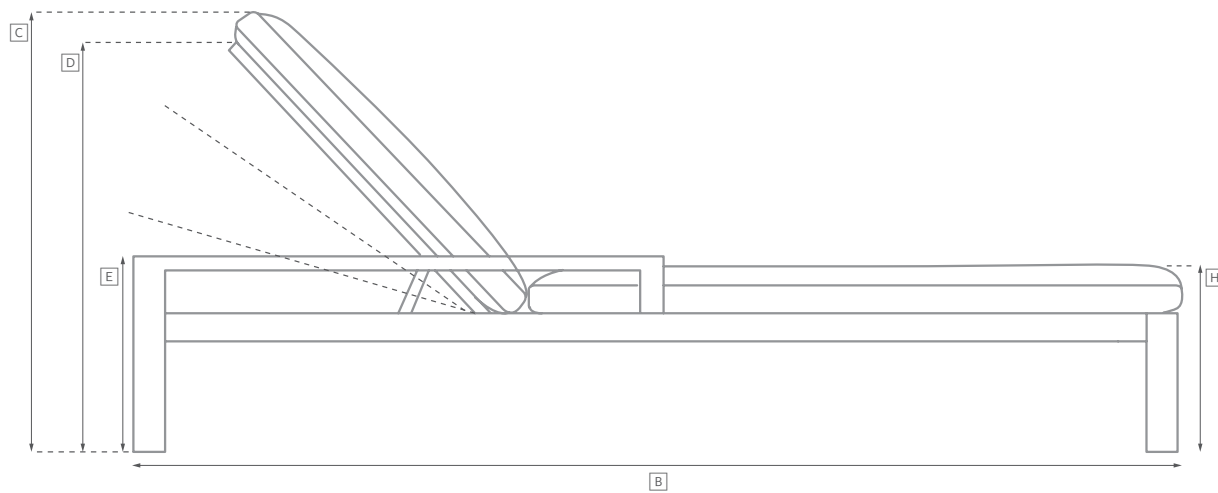
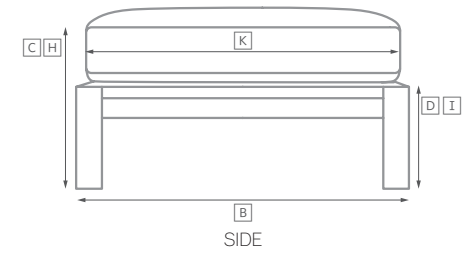
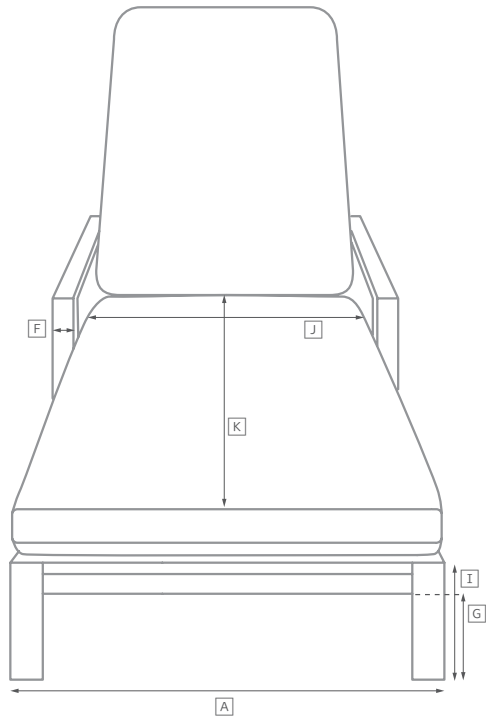
RH



OUTDOOR SEATING DIMENSIONS DIAGRAM

See the "Dimensions Sheet" for the measurements that correspond with the letters below.

RH



BELVEDERE TEAK SEATING COLLECTION



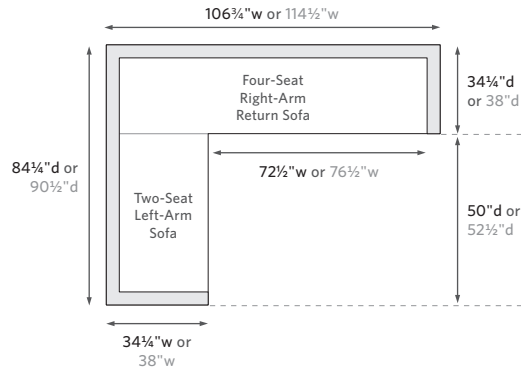
When configuring a sectional, please choose either Luxe or Classic depth for all components.

L-SECTIONAL

Available in left- and right-arm configurations.

106" Classic L-Sectional: 106¾"w x 84¾"d x 28½"h Overall

115" Luxe L-Sectional: 114½"w x 90½"d x 31"h Overall



U-SOFA SECTIONAL

117" Classic U-Sofa Sectional: 116¾"w x 106¾"d x 28½"h Overall

127" Luxe U-Sofa Sectional: 127"w x 114½"d x 31"h Overall

