

# BELVEDERE ALUMINUM SEATING COLLECTION



All dimensions are given in inches. See the attached "Dimensions Diagram" sheet for more information on the keys used in this chart.

	OVERALL WIDTH A	OVERALL DEPTH B	OVERALL HEIGHT W/ CUSHION C	FRAME HEIGHT D	ARM HEIGHT E	ARM WIDTH F	FOOT HEIGHT G	SEAT HEIGHT W/ CUSHION H	SEAT HEIGHT (FLOOR TO FRAME) I	INSIDE SEAT WIDTH J	INSIDE SEAT DEPTH K	# OF BACK CUSHIONS	# OF SEAT CUSHIONS
51½" CLASSIC SOFA	51½	34¼	31½	28½	18½	3¾	2¼	16	9¾	44	22½	1	1
74" CLASSIC SOFA	74	34¼	31½	28½	18½	3¾	2¼	16	9¾	66	22½	2	1
96" CLASSIC SOFA	96	34¼	31½	28½	18½	3¾	2¼	16	9¾	88	22½	2	1
54½" LUXE SOFA	54½	38	32½	31	20½	4½	2¼	17	9¾	45½	24½	1	1
80" LUXE SOFA	80	38	32½	31	20½	4½	2¼	17	9¾	60	24½	2	1
101¼" LUXE SOFA	101¼	38	32½	31	20½	4½	2¼	17	9¾	92½	24½	2	1
CLASSIC LOUNGE CHAIR	29¾	34¼	31½	28½	18½	3¾	2¼	16	9¾	21½	22½	1	1
LUXE LOUNGE CHAIR	32	38	32½	31	20½	4½	2¼	17	9¾	23	24½	1	1
CLASSIC SWIVEL LOUNGE CHAIR	29¾	34¼	30½	27½	18½	3¾	2¼	13½	8	21½	22½	1	1
LUXE SWIVEL LOUNGE CHAIR	32	38	31¼	29¾	20½	4½	2¼	17	9¾	23	24½	1	1
CLASSIC OTTOMAN	29¾	34¼	31½	28½	NA	NA	2¼	16	9¾	29¾	34¾	0	1
LUXE OTTOMAN	32	32	17	9¾	NA	NA	2¼	17	9¾	32	32	0	1
CHAISE	29½	78¼	35½	33½	NA	NA	2¼	13	9½	27½	45¾	1	1
DOUBLE CHAISE	55	78¼	35½	33½	NA	NA	2¼	13	9½	53	45¾	2	1
DAYBED	60	70½	30	27	NA	NA	2¼	17	9¾	58	64	1	1

# BELVEDERE ALUMINUM SEATING COLLECTION



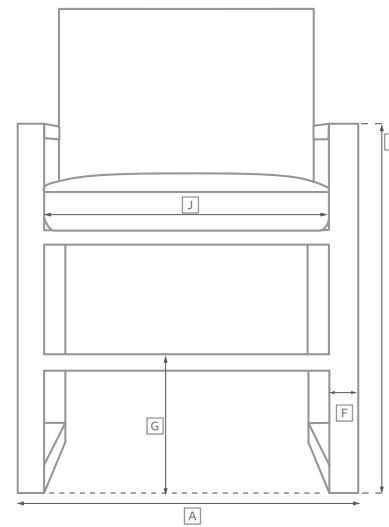
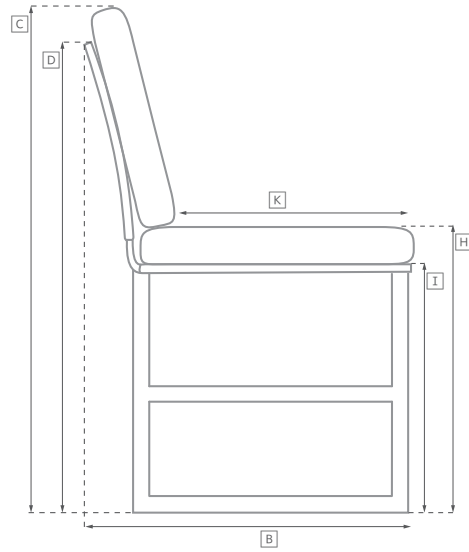
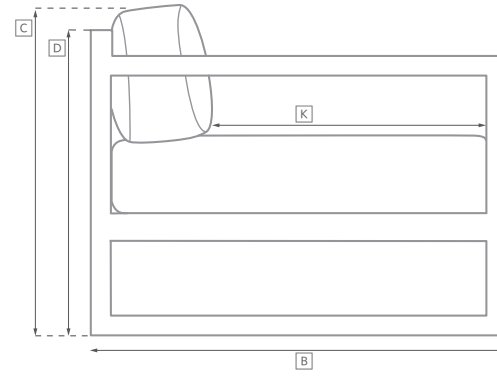
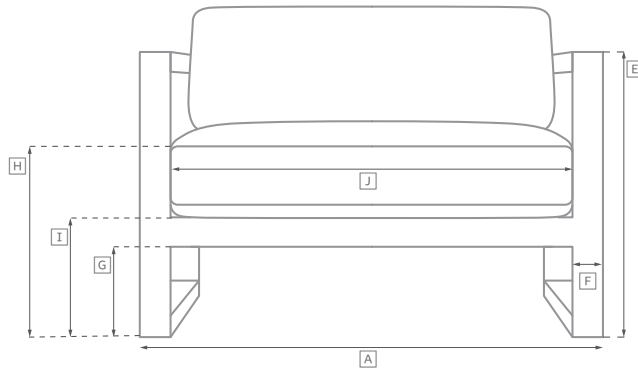
All dimensions are given in inches. See the attached "Dimensions Diagram" sheet for more information on the keys used in this chart.

	OVERALL WIDTH A	OVERALL DEPTH B	OVERALL HEIGHT W/ CUSHION C	FRAME HEIGHT D	ARM HEIGHT E	ARM WIDTH F	FOOT HEIGHT G	SEAT HEIGHT W/ CUSHION H	SEAT HEIGHT (FLOOR TO FRAME) I	INSIDE SEAT WIDTH J	INSIDE SEAT DEPTH K	# OF BACK CUSHIONS	# OF SEAT CUSHIONS
DINING ARMCHAIR	24	23½	35½	35½	24¾	2	14	19½	17½	20	18½	0	1
DINING SIDE CHAIR	19¾	22	35½	35½	NA	NA	14	19½	17½	19¾	17½	0	1
CLASSIC TWO-SEAT ARMLESS SOFA	48¾	34¾	31½	28½	NA	NA	2¾	16	9¾	48¾	22½	1	1
LUXE TWO-SEAT ARMLESS SOFA	51	38	32½	31	NA	NA	2¾	17	9¾	51	24½	1	1
CLASSIC TWO-SEAT LEFT-ARM SOFA	50	34¾	31½	28½	18½	3¾	2¾	16	9¾	46	22½	1	1
LUXE TWO-SEAT LEFT-ARM SOFA	52½	38	32½	31	20½	4½	2¾	17	9¾	48	24½	1	1
CLASSIC TWO-SEAT RIGHT-ARM SOFA	50	34¾	31½	28½	18½	3¾	2¾	16	9¾	46	22½	1	1
LUXE TWO-SEAT RIGHT-ARM SOFA	52½	38	32½	31	20½	4½	2¾	17	9¾	48	24½	1	1
CLASSIC FOUR-SEAT LEFT-ARM RETURN SOFA	106¾	34¾	31½	28½	18½	3¾	2¾	16	9¾	95	22½	3	1
LUXE FOUR-SEAT LEFT-ARM SOFA	114½	38	32½	31	20½	4½	2¾	17	9¾	97	24½	3	1
CLASSIC FOUR-SEAT RIGHT-ARM RETURN SOFA	106¾	34¾	31½	28½	18½	3¾	2¾	16	9¾	95	22½	3	1
LUXE FOUR-SEAT RIGHT-ARM SOFA	114½	38	32½	31	20½	4½	2¾	17	9¾	97	24½	3	1
BAR STOOL	17¾	19¾	38½	38½	-	-	9	27	25	17¾	15	0	1
COUNTER STOOL	17¾	19¾	42½	42½	-	-	9¾	31	29	17¾	15	0	1

# OUTDOOR SEATING DIMENSIONS DIAGRAM

See the "Dimensions Sheet" for the measurements that correspond with the letters below.

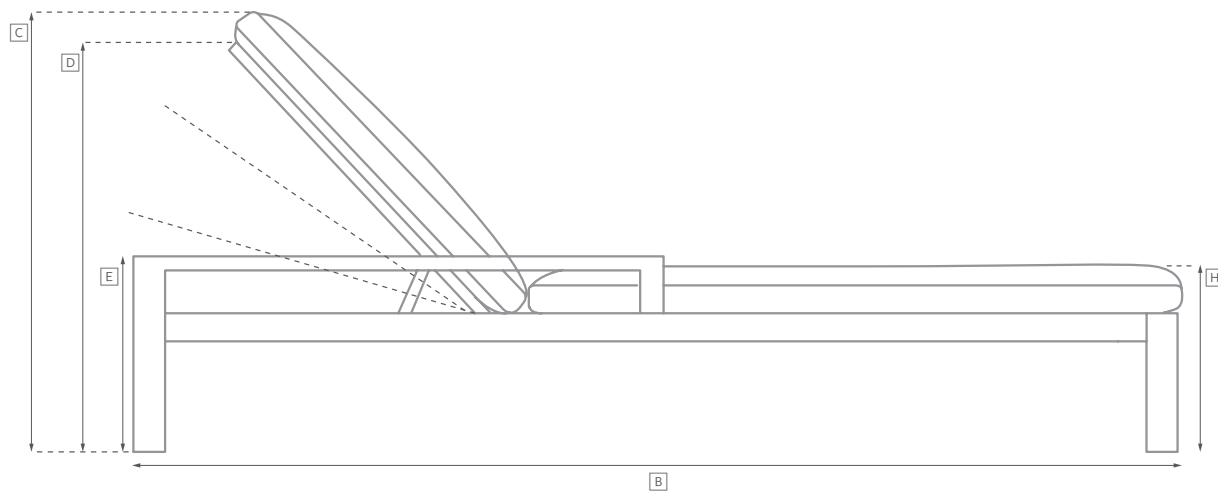
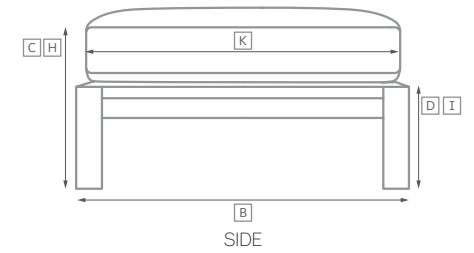
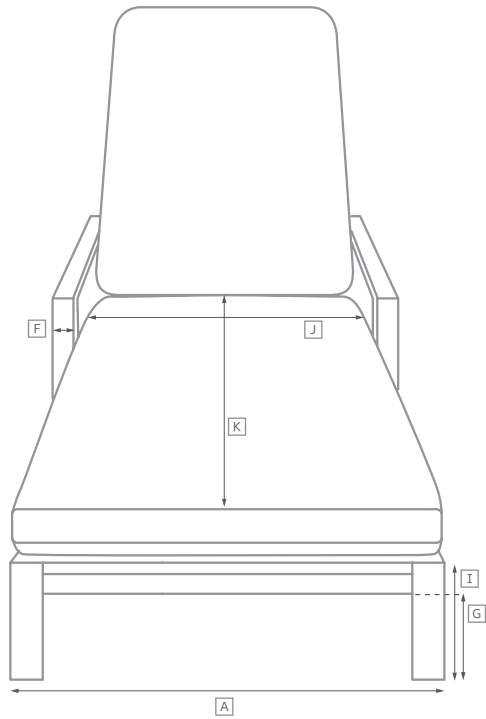
RH



# OUTDOOR SEATING DIMENSIONS DIAGRAM

See the "Dimensions Sheet" for the measurements that correspond with the letters below.

RH



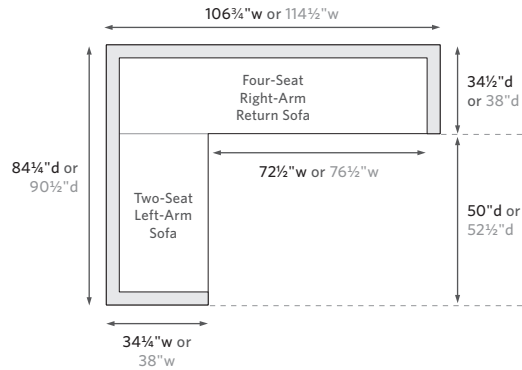
# BELVEDERE ALUMINUM SEATING COLLECTION



When configuring a sectional, please choose either Luxe or Classic depth for all components.

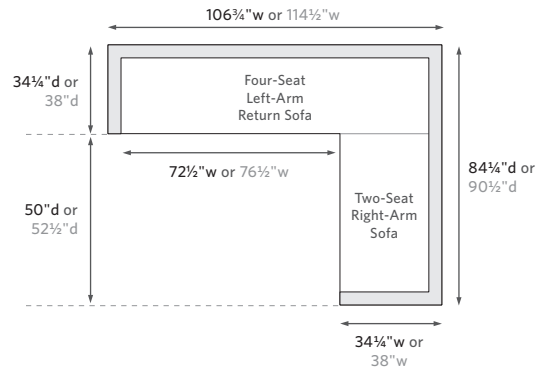
## LEFT-ARM L-SECTIONAL

106" Classic Left-Arm L-Sectional: 106¾"w x 84¾"d x 28½"h Overall  
 115" Luxe Left-Arm L-Sectional: 114½"w x 90½"d x 31"h Overall



## RIGHT-ARM L-SECTIONAL

106" Classic Right-Arm L-Sectional: 106¾"w x 84¾"d x 28½"h Overall  
 115" Luxe Right-Arm L-Sectional: 114½"w x 90½"d x 31"h Overall



## U-SOFA SECTIONAL

117" Classic U-Sofa Sectional: 116¾"w x 106¾"d x 28½"h Overall  
 127" Luxe U-Sofa Sectional: 127"w x 114½"d x 31"h Overall

