

BELIZE TEAK SEATING COLLECTION



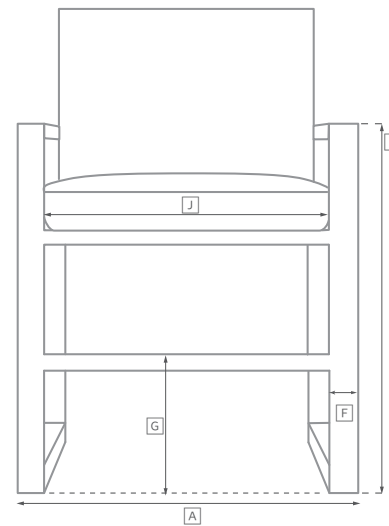
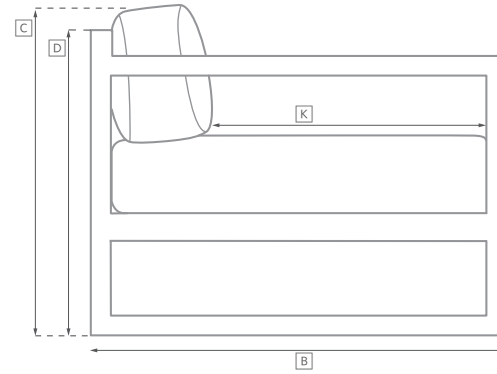
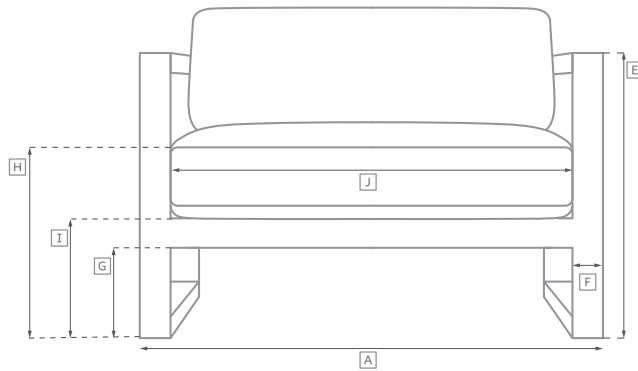
All dimensions are given in inches. See the attached "Dimensions Diagram" sheet for more information on the keys used in this chart.

	OVERALL WIDTH A	OVERALL DEPTH B	OVERALL HEIGHT W/ CUSHION C	FRAME HEIGHT D	ARM HEIGHT E	ARM WIDTH F	FOOT HEIGHT G	SEAT HEIGHT W/ CUSHION H	SEAT HEIGHT (FLOOR TO FRAME) I	INSIDE SEAT WIDTH J	INSIDE SEAT DEPTH K	# OF BACK CUSHIONS	# OF SEAT CUSHIONS
71" SOFA	71	37	28½	26	21	2¾	2¾	16½	4	65½	32¾	1	1
83¾" SOFA	83¾	37	28½	26	21	2¾	2¾	16½	4	77¾	32¾	2	1
95¾" SOFA	95¾	37	28½	26	21	2¾	2¾	16½	4	89¾	32¾	2	1
107¾" SOFA	107¾	37	28½	26	21	2¾	2¾	16½	4	102	32¾	2	1
LOUNGE CHAIR	34¾	37	28½	26	21	2¾	2¾	16½	4	29¾	31½	1	1
SWIVEL LOUNGE CHAIR	34¾	37	28¾	26	21½	2¾	2¾	17	4¾	29¾	31¼	1	1
CORNER CHAIR	36¾	36¾	28½	26	-	-	2¾	16½	4	31½	31½	2	1
ARMLESS CHAIR	31¾	36¾	28½	26	-	-	2¾	16½	4	31¾	31¼	1	1
LEFT-ARM CHAIR	34½	37	28½	26	21	2¾	2¾	16½	4	31¼	28½	1	1
RIGHT-ARM CHAIR	34½	37	28½	26	21	2¾	2¾	16½	4	31¼	28½	1	1
OTTOMAN	31¼	31¼	16½	4	-	-	2¾	16½	4	31¼	31¼	0	1
CHAISE	32¾	78¾	33	3¾	17½	2	2½	16½	3¾	29¾	47¾	1	1
DINING ARMCHAIR	22½	24	32¾	31¼	25¾	1½	17	19	17	19¾	22¾	1	1
DINING SIDE CHAIR	19	24	32¾	31¼	-	-	17	19	17	19¾	22¾	1	1

OUTDOOR SEATING DIMENSIONS DIAGRAM

See the "Dimensions Sheet" for the measurements that correspond with the letters below.

RH



OUTDOOR SEATING DIMENSIONS DIAGRAM

See the "Dimensions Sheet" for the measurements that correspond with the letters below.

RH

