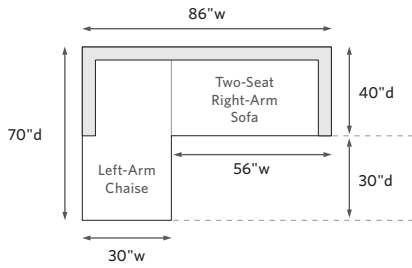


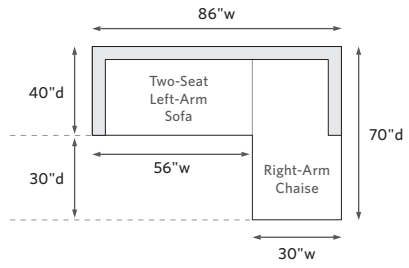
**LEFT-ARM SOFA CHAISE SECTIONAL**

86" Left-Arm Sofa Chaise: 86" w x 70" d x 33" h Overall



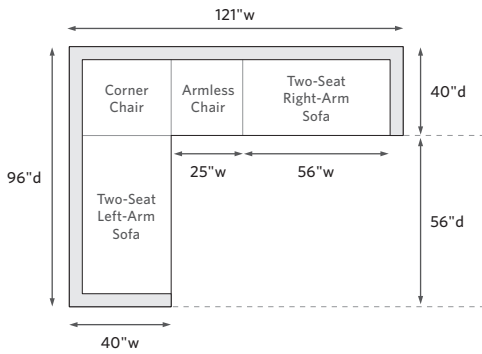
**RIGHT-ARM SOFA CHAISE SECTIONAL**

86" Right-Arm Sofa Chaise: 86" w x 70" d x 33" h Overall



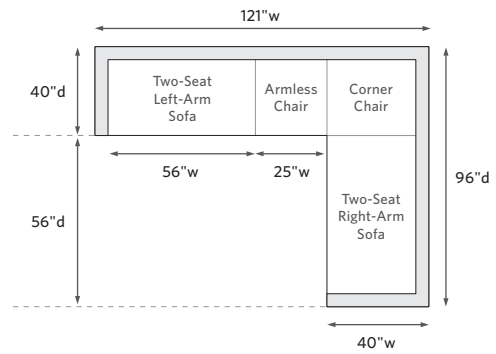
**LEFT-ARM L SECTIONAL**

121" Left-Arm L Sectional: 121" w x 96" d x 33" h Overall



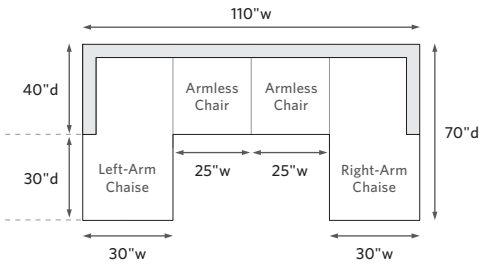
**RIGHT-ARM L SECTIONAL**

121" Right-Arm L Sectional: 121" w x 96" d x 33" h Overall



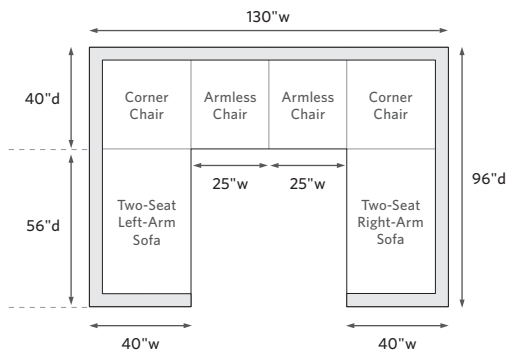
**U-CHAISE SECTIONAL**

110" U-Chaise Sectional: 110" w x 70" d x 33" h Overall



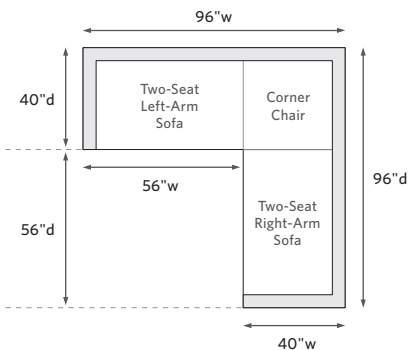
**U-SOFA SECTIONAL**

130" U-Sofa Sectional: 130" w x 96" d x 33" h Overall



**CORNER SECTIONAL**

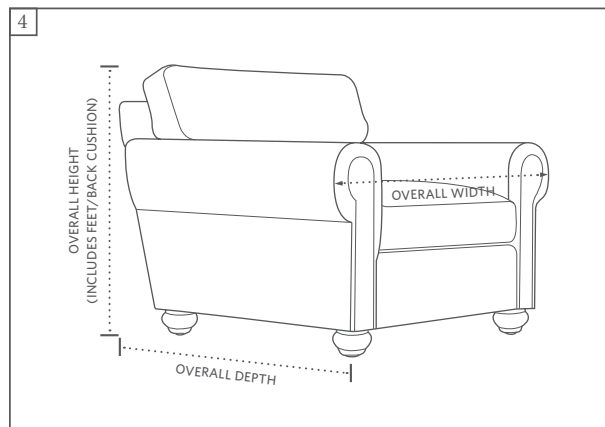
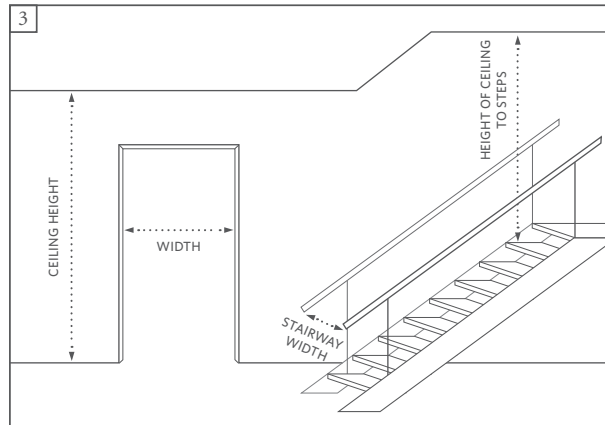
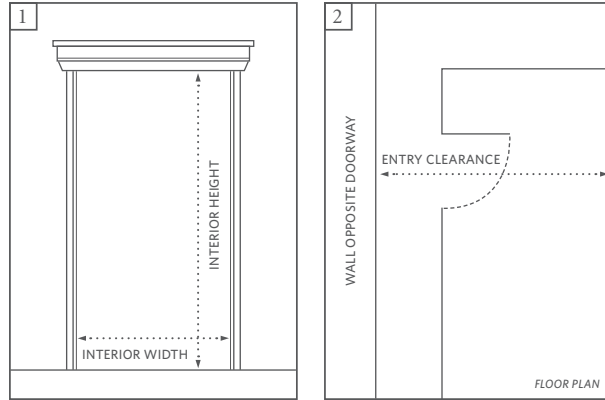
96" Corner Sectional: 96" w x 96" d x 33" h Overall



Minimum clearance needed for delivery: 33"

Before purchasing any furniture, it's important to ensure it can fit through all the entryways, elevators and stairways of your home. Follow these steps to ensure efficient delivery and avoid returns.

- Determine the best pathway from outside your home to the room where the new item will be placed.
- Make sure all access points are unobstructed and wide enough for the desired item.
- Measure the heights and widths of all entryways, including all stairways and hallways, both inside and outside your home (see 1).
- Measure the interior widths, depths and heights of all elevator doors to be used for delivery.
- Measure your entry clearance - the distance from the wall through the doorway to the opposite wall (see 2).
- Factor in all corners, ceiling height, stairways (heights, widths, angles, bannisters), and low hanging fixtures. Also account for any architectural details (see 3).
- Compare your measurements from above to the item's "minimum clearance" measurement online.
- To ensure successful delivery, the item's minimum clearance measurement must not exceed the height or width of any of the entryways (elevators and stairways included) to be used for delivery.
- Note that the furniture measurements we provide reflect overall dimensions, and overhangs, angles and outward curves will be included (see 4).



☒ Unlimited Furniture Delivery at a low flat rate based on delivery area. See a store associate or our website for details.

At Restoration Hardware, we take pride in the exceptional quality and craftsmanship of our furniture. Our attention to detail in design, material and construction is unyielding. And so is our commitment to customer satisfaction.

We carefully inspect each furniture item prior to shipment, and also require your inspection and signature upon delivery. Should you discover a defect in your furniture, however, please contact us at 800.910.9836 immediately. Furniture that is refused because it does not fit through an entryway will be refunded in merchandise or store credit only. Visit [restorationhardware.com](http://restorationhardware.com) for more information on returns.

Please call Customer Service at 800.910.9836 with any questions you may have.