

# BALMAIN TEAK SEATING COLLECTION



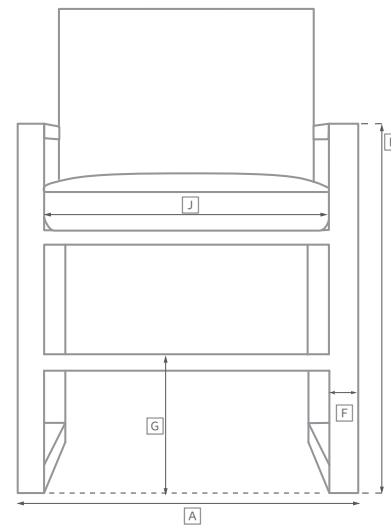
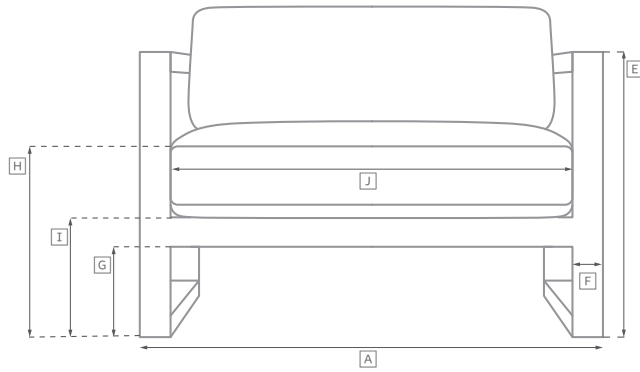
All dimensions are given in inches. See the attached "Dimensions Diagram" sheet for more information on the keys used in this chart.

	OVERALL WIDTH A	OVERALL DEPTH B	OVERALL HEIGHT W/ CUSHION C	FRAME HEIGHT D	ARM HEIGHT E	ARM WIDTH F	FOOT HEIGHT G	SEAT HEIGHT W/ CUSHION H	SEAT HEIGHT (FLOOR TO FRAME) I	INSIDE SEAT WIDTH J	INSIDE SEAT DEPTH K	# OF BACK CUSHIONS	# OF SEAT CUSHIONS
68" SOFA	68	31½	31	23¾	23¾	1½	5	16	7	65	21	2	1
94" SOFA	94	31½	31	23¾	23¾	1½	5	16	7	91	21	2	1
108" SOFA	108	31½	31	23¾	23¾	1½	5	16	7	105	21	2	1
LOUNGE CHAIR	31½	31½	31	23¾	23¾	1½	5	16	7	28½	21	1	1
SWIVEL LOUNGE CHAIR	31½	31½	31	23¾	23¾	1½	5	16	7	28½	21	1	1
OTTOMAN	31½	31½	16	7	NA	NA	5	16	7	31½	31½	NA	1
DAYBED	57	69	31	23½	23½	1½	1½	16	7	54	58	2	1
CHAISE	27¾	79½	31	27½	NA	NA	5	12½	9	27	52	1	1
DINING ARMCHAIR	23	23	32	27½	27½	1½	NA	19½	17	20	17	1	1
BARSTOOL	20¾	20	44	39½	39½	1½	9	31½	29	18	16½	1	1
COUNTER STOOL	20¾	20	40½	35	35	1½	6	27½	25	18	16½	1	1
BACKLESS SWIVEL BARSTOOL	16	16	31½	29	NA	NA	9	31½	29	16	16	0	1
BACKLESS SWIVEL COUNTER STOOL	16	16	27½	25	NA	NA	6	27½	25	16	16	0	1

# OUTDOOR SEATING DIMENSIONS DIAGRAM

See the "Dimensions Sheet" for the measurements that correspond with the letters below.

RH



# OUTDOOR SEATING DIMENSIONS DIAGRAM

See the "Dimensions Sheet" for the measurements that correspond with the letters below.

RH

