

AVILA TEAK SEATING COLLECTION



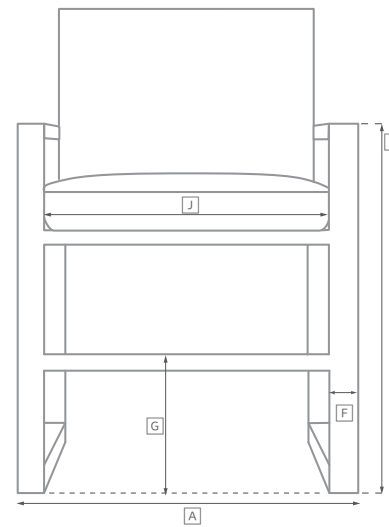
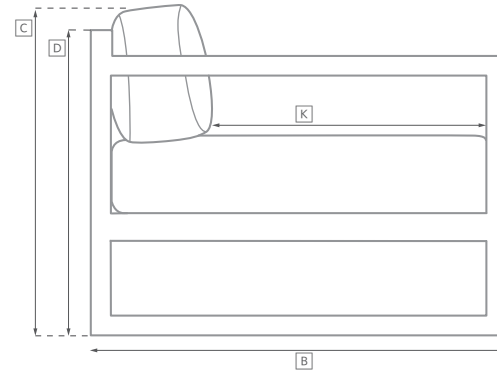
All dimensions are given in inches. See the attached "Dimensions Diagram" sheet for more information on the keys used in this chart.

	OVERALL WIDTH A	OVERALL DEPTH B	OVERALL HEIGHT W/ CUSHION C	FRAME HEIGHT D	ARM HEIGHT E	ARM WIDTH F	FOOT HEIGHT G	SEAT HEIGHT W/ CUSHION H	SEAT HEIGHT (FLOOR TO FRAME) I	INSIDE SEAT WIDTH J	INSIDE SEAT DEPTH K	# OF BACK CUSHIONS	# OF SEAT CUSHIONS
72" SOFA	72	34½	31¾	29	21¼	1¼	7¾	15½	10½	69	27¼	2	1
84" SOFA	84	34½	31¾	29	21¼	1¼	7¾	15½	10½	81	27¼	3	1
96" SOFA	96	34½	31¾	29	21¼	1¼	7¾	15½	10½	93	27¼	3	1
108" SOFA	108	34½	31¾	29	21¼	1¼	7¾	15½	10½	105	27¼	4	1
LOUNGE CHAIR	31	34½	31¾	29	21¼	1¼	7¾	15½	10½	28¾	27¼	1	1
OTTOMAN	31	25½	15½	10	-	-	12½	15½	10	28	23	0	1
CHAISE	31	84	33	29½	17¾	1¼	6¾	13¾	10¾	28¾	78¾	1	1
DINING ARMCHAIR	23	28	31¾	31	25	1¼	15	18½	17	20¾	20	1	1

OUTDOOR SEATING DIMENSIONS DIAGRAM

See the "Dimensions Sheet" for the measurements that correspond with the letters below.

RH



OUTDOOR SEATING DIMENSIONS DIAGRAM

See the "Dimensions Sheet" for the measurements that correspond with the letters below.

RH

