

AEGEAN ALUMINUM SEATING COLLECTION



All dimensions are given in inches. See the attached "Dimensions Diagram" sheet for more information on the keys used in this chart.

| | OVERALL WIDTH A | OVERALL DEPTH B | OVERALL HEIGHT W/ CUSHION C | FRAME HEIGHT D | ARM HEIGHT E | ARM WIDTH F | FOOT HEIGHT G | SEAT HEIGHT W/ CUSHION H | SEAT HEIGHT (FLOOR TO FRAME) I | INSIDE SEAT WIDTH J | INSIDE SEAT DEPTH K | # OF BACK CUSHIONS | # OF SEAT CUSHIONS |
|----------------------|--------------------|--------------------|-----------------------------------|-------------------|-----------------|----------------|------------------|-----------------------------|--------------------------------------|------------------------|------------------------|--------------------|--------------------|
| 56½" CLASSIC SOFA | 56½ | 29 | 25¼ | 24 | 24 | 2 | 7 | 14¾ | 9¾ | 52 | 23 | 1 | 1 |
| 82½" CLASSIC SOFA | 82½ | 29 | 25¼ | 24 | 24 | 2 | 7 | 14¾ | 9¾ | 78 | 23 | 2 | 1 |
| 108½" CLASSIC SOFA | 108½ | 29 | 25¼ | 24 | 24 | 2 | 7 | 14¾ | 9¾ | 104 | 23 | 2 | 1 |
| 63¾" LUXE SOFA | 63¾ | 33½ | 25¾ | 24½ | 24½ | 2½ | 7 | 16 | 9½ | 58¾ | 27 | 1 | 1 |
| 92½" LUXE SOFA | 92½ | 33½ | 25¾ | 24½ | 24½ | 2½ | 7 | 16 | 9½ | 87½ | 27 | 2 | 1 |
| 112" LUXE SOFA | 112 | 33½ | 25¾ | 24½ | 24½ | 2½ | 7 | 16 | 9½ | 107 | 27 | 2 | 1 |
| 123" LUXE SOFA | 123 | 33½ | 25¾ | 24½ | 24½ | 2½ | 7 | 16 | 9½ | 118 | 27 | 2 | 1 |
| CLASSIC LOUNGE CHAIR | 30¾ | 29 | 25¾ | 24 | 24 | 2 | 7 | 14¾ | 9¾ | 26 | 23 | 1 | 1 |
| LUXE LOUNGE CHAIR | 34¾ | 33½ | 25¾ | 24½ | 24½ | 2½ | 7 | 16 | 9½ | 29¾ | 27 | 1 | 1 |
| CLASSIC OTTOMAN | 26 | 27½ | 25¾ | 9¾ | NA | NA | 7 | 14¾ | 9¾ | 26 | 27½ | 0 | 1 |
| LUXE OTTOMAN | 32 | 29½ | 14½ | 9½ | - | - | 7 | 16 | 9½ | 32 | 29½ | - | 1 |
| COFFEE OTTOMAN | 59 | 32 | 15½ | 9½ | - | - | 7 | 16 | 9½ | 59 | 32 | - | 1 |
| DAYBED | 66 | 75 | 25¾ | 24¾ | NA | NA | NA | 16 | 9¾ | 66 | 68½ | 2 | 1 |
| CHAISE | 25½ | 79¾ | 35 | 34 | - | - | 8¾ | 15 | 12½ | 25½ | 50½ | 1 | 1 |

AEGEAN ALUMINUM SEATING COLLECTION



All dimensions are given in inches. See the attached "Dimensions Diagram" sheet for more information on the keys used in this chart.

| | OVERALL WIDTH A | OVERALL DEPTH B | OVERALL HEIGHT W/ CUSHION C | FRAME HEIGHT D | ARM HEIGHT E | ARM WIDTH F | FOOT HEIGHT G | SEAT HEIGHT W/ CUSHION H | SEAT HEIGHT (FLOOR TO FRAME) I | INSIDE SEAT WIDTH J | INSIDE SEAT DEPTH K | # OF BACK CUSHIONS | # OF SEAT CUSHIONS |
|--|--------------------|--------------------|-----------------------------------|-------------------|-----------------|----------------|------------------|-----------------------------|--------------------------------------|------------------------|------------------------|--------------------|--------------------|
| DOUBLE CHAISE | 49½ | 79¼ | 35 | 34 | - | - | 8¾ | 15 | 12½ | 49½ | 50½ | 2 | 1 |
| STACKING CHAISE | 29 | 79¼ | 34 | 34 | - | - | - | 12 | 12 | 29 | 50 | 0 | 0 |
| CLASSIC TWO-SEAT ARMLESS SOFA | 52 | 29 | 25¼ | 24 | NA | NA | 7 | 14¾ | 9¾ | 52 | 23 | 1 | 1 |
| LUXE TWO-SEAT ARMLESS SOFA | 59 | 33½ | 25¼ | 24½ | - | - | 7 | 16 | 9½ | 59 | 27 | 1 | 1 |
| CLASSIC TWO-SEAT LEFT-ARM SOFA | 54¼ | 29 | 25¼ | 24 | 24 | 2 | 7 | 14¾ | 9¾ | 52¼ | 23 | 1 | 1 |
| LUXE TWO-SEAT LEFT-ARM SOFA | 61½ | 33½ | 25¼ | 24½ | 24½ | 2½ | 7 | 16 | 9½ | 59 | 27 | 1 | 1 |
| CLASSIC TWO-SEAT RIGHT-ARM SOFA | 54¼ | 29 | 25¼ | 24 | 24 | 2 | 7 | 14¾ | 9¾ | 52¼ | 23 | 1 | 1 |
| LUXE TWO-SEAT RIGHT-ARM SOFA | 61½ | 33½ | 25¼ | 24½ | 24½ | 2½ | 7 | 16 | 9½ | 59 | 27 | 1 | 1 |
| CLASSIC THREE-SEAT LEFT-ARM RETURN SOFA | 81¾ | 29 | 25¼ | 24 | 24 | 2 | 7 | 14¾ | 9¾ | 73¾ | 23 | 3 | 1 |
| LUXE THREE-SEAT LEFT-ARM RETURN SOFA | 92½ | 33½ | 25¼ | 24½ | 24½ | 2½ | 7 | 16 | 9½ | 82½ | 27 | 3 | 1 |
| CLASSIC THREE-SEAT RIGHT-ARM RETURN SOFA | 81¾ | 29 | 25¼ | 24 | 24 | 2 | 7 | 14¾ | 9¾ | 73¾ | 23 | 3 | 1 |
| LUXE THREE-SEAT RIGHT-ARM RETURN SOFA | 92½ | 33½ | 25¼ | 24½ | 24½ | 2½ | 7 | 16 | 9½ | 82½ | 27 | 3 | 1 |
| CLASSIC FOUR-SEAT LEFT-ARM RETURN SOFA | 108 | 29 | 25¼ | 24 | 24 | 2 | 7 | 14¾ | 9¾ | 99½ | 23 | 3 | 1 |
| LUXE FOUR-SEAT LEFT-ARM RETURN SOFA | 122 | 33½ | 25¼ | 24½ | 24½ | 2½ | 7 | 16 | 9½ | 112 | 27 | 3 | 1 |

AEGEAN ALUMINUM SEATING COLLECTION



All dimensions are given in inches. See the attached "Dimensions Diagram" sheet for more information on the keys used in this chart.

| | OVERALL WIDTH A | OVERALL DEPTH B | OVERALL HEIGHT W/ CUSHION C | FRAME HEIGHT D | ARM HEIGHT E | ARM WIDTH F | FOOT HEIGHT G | SEAT HEIGHT W/ CUSHION H | SEAT HEIGHT (FLOOR TO FRAME) I | INSIDE SEAT WIDTH J | INSIDE SEAT DEPTH K | # OF BACK CUSHIONS | # OF SEAT CUSHIONS |
|---|--------------------|--------------------|-----------------------------------|-------------------|-----------------|----------------|------------------|-----------------------------|--------------------------------------|------------------------|------------------------|--------------------|--------------------|
| CLASSIC FOUR-SEAT RIGHT-ARM RETURN SOFA | 108 | 29 | 25½ | 24 | 24 | 2 | 7 | 14¾ | 9¾ | 99½ | 23 | 3 | 1 |
| LUXE FOUR-SEAT RIGHT-ARM RETURN SOFA | 122 | 33½ | 25¾ | 24½ | 24½ | 2½ | 7 | 16 | 9½ | 112 | 27 | 3 | 1 |
| CLASSIC LEFT-ARM CHAISE | 29¾ | 53½ | 25¾ | 24 | 24 | 2 | 7 | 14¾ | 9¾ | 27¾ | 47 | 1 | 1 |
| LUXE LEFT-ARM CHAISE | 34¾ | 60¾ | 25¾ | 24½ | 24½ | 2½ | - | 16 | 9½ | 31¾ | 54 | 1 | 1 |
| CLASSIC RIGHT-ARM CHAISE | 29¾ | 53½ | 25¾ | 24 | 24 | 2 | 7 | 14¾ | 9¾ | 27¾ | 47 | 1 | 1 |
| LUXE RIGHT-ARM CHAISE | 34¾ | 60¾ | 25¾ | 24½ | 24½ | 2½ | - | 16 | 9½ | 31¾ | 54 | 1 | 1 |
| 51¼" DINING BENCH | 51¼ | 15 | 19 | 16½ | - | - | - | 19 | 16½ | 51¼ | 15 | - | 1 |
| 63" DINING BENCH | 63 | 15 | 19 | 16½ | - | - | - | 19 | 16½ | 63 | 15 | - | 1 |
| 76½" DINING BENCH | 76½ | 15 | 19 | 16½ | - | - | - | 19 | 16½ | 76½ | 15 | - | 1 |
| 86¾" DINING BENCH | 86¾ | 15 | 19 | 16½ | - | - | - | 19 | 16½ | 86¾ | 15 | - | 1 |
| 98½" DINING BENCH | 98½ | 15 | 19 | 16½ | - | - | - | 19 | 16½ | 98½ | 15 | - | 1 |
| DINING SIDE CHAIR | 19¾ | 23½ | 33 | 33 | - | - | 14¾ | 18¾ | 17¾ | 19¾ | 18 | - | 1 |
| DINING ARMCHAIR | 22¾ | 23½ | 33 | 33 | 24 | 1½ | 14¾ | 18¾ | 17¾ | 19¾ | 18 | - | 1 |
| BARSTOOL | 23 | 20¾ | 44 | 44 | 36¾ | 1¾ | 12 | 30 | 30 | 19¾ | 18¾ | - | - |

AEGEAN ALUMINUM SEATING COLLECTION



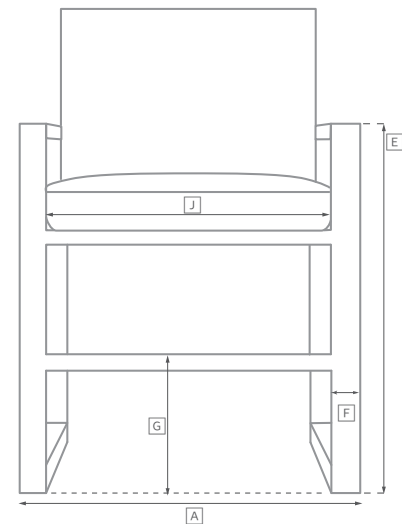
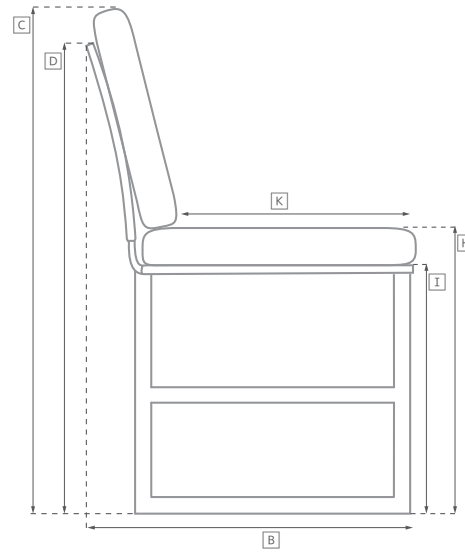
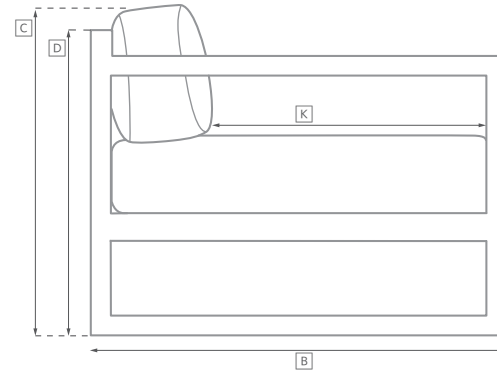
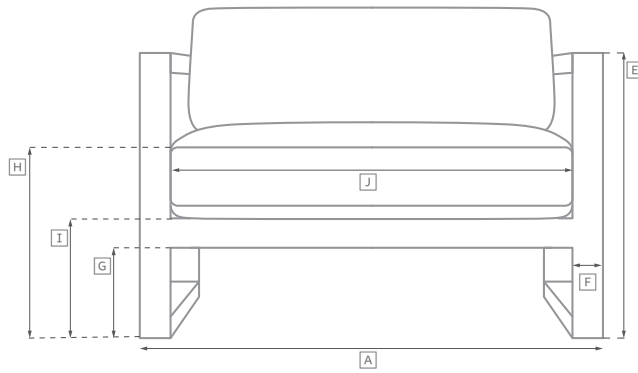
All dimensions are given in inches. See the attached "Dimensions Diagram" sheet for more information on the keys used in this chart.

| | OVERALL WIDTH A | OVERALL DEPTH B | OVERALL HEIGHT W/ CUSHION C | FRAME HEIGHT D | ARM HEIGHT E | ARM WIDTH F | FOOT HEIGHT G | SEAT HEIGHT W/ CUSHION H | SEAT HEIGHT (FLOOR TO FRAME) I | INSIDE SEAT WIDTH J | INSIDE SEAT DEPTH K | # OF BACK CUSHIONS | # OF SEAT CUSHIONS |
|---------------|--------------------|--------------------|-----------------------------------|-------------------|-----------------|-----------------|------------------|-----------------------------|--------------------------------------|------------------------|------------------------|--------------------|--------------------|
| COUNTER STOOL | 23 | 20 $\frac{1}{4}$ | 40 $\frac{1}{4}$ | 40 $\frac{1}{4}$ | 33 | 1 $\frac{3}{4}$ | 8 | 26 | 26 | 19 $\frac{3}{4}$ | 18 $\frac{3}{4}$ | - | - |

OUTDOOR SEATING DIMENSIONS DIAGRAM

See the "Dimensions Sheet" for the measurements that correspond with the letters below.

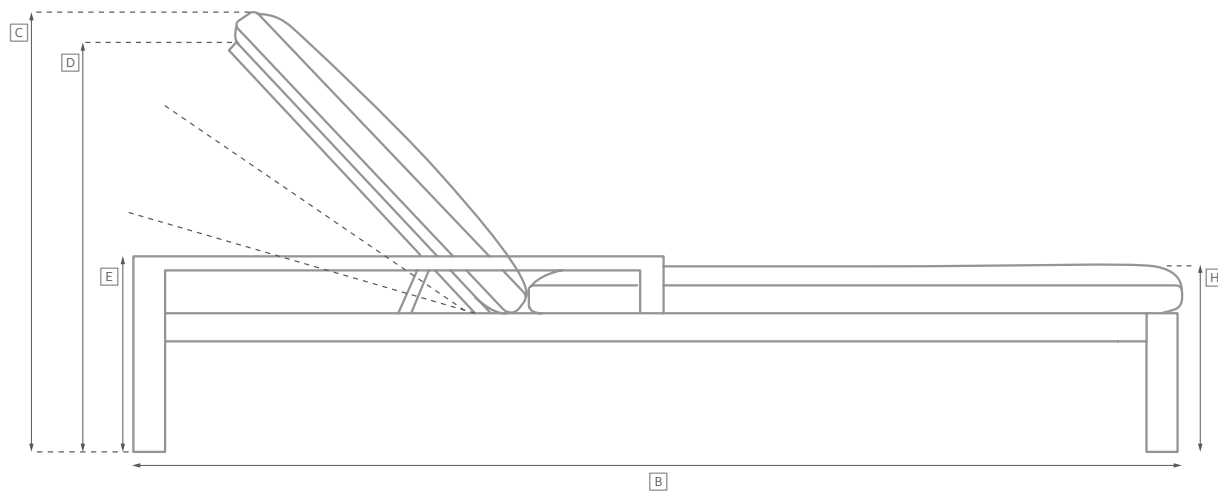
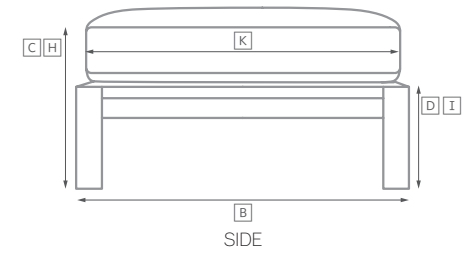
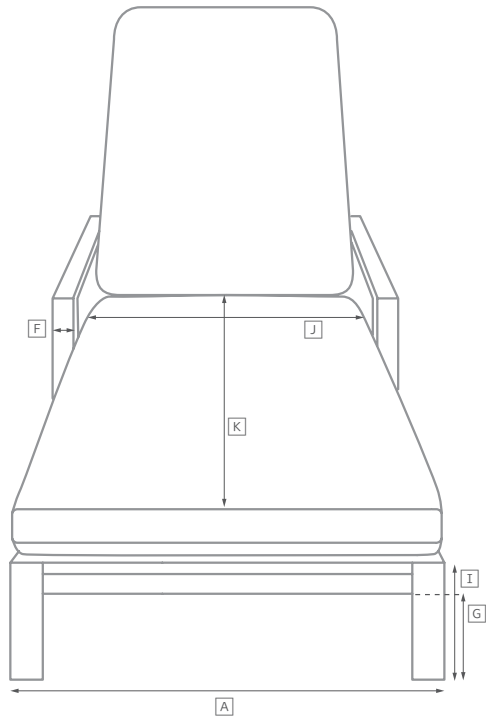
RH



OUTDOOR SEATING DIMENSIONS DIAGRAM

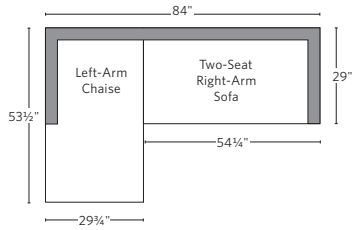
See the "Dimensions Sheet" for the measurements that correspond with the letters below.

RH

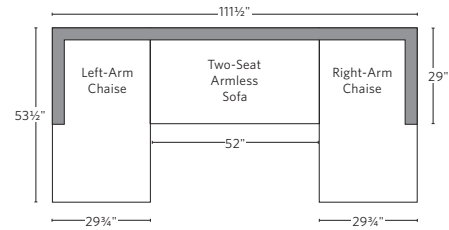


SOFA CHAISE SECTIONAL

Available in left and right-arm configurations.

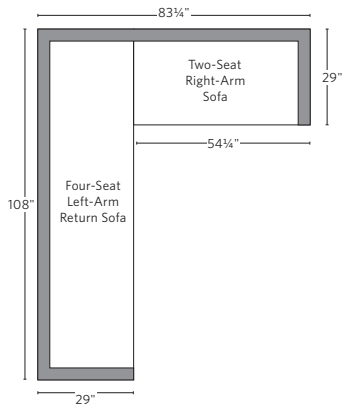


U-CHAISE SECTIONAL

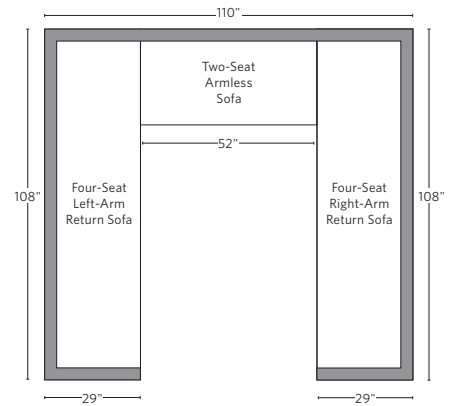


L-SECTIONAL

Available in left and right-arm configurations.

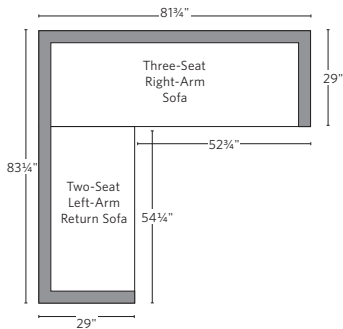


U-SOFA SECTIONAL



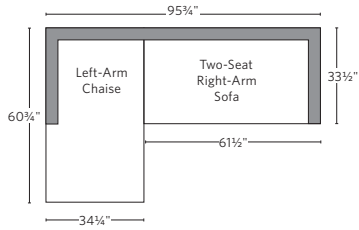
CORNER SECTIONAL

Available in left and right-arm configurations.

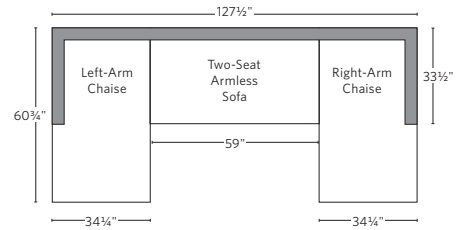


SOFA CHAISE SECTIONAL

Available in left and right-arm configurations.

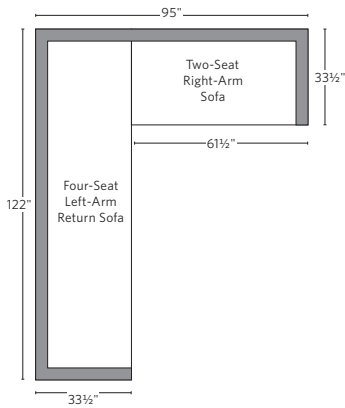


U-CHAISE SECTIONAL

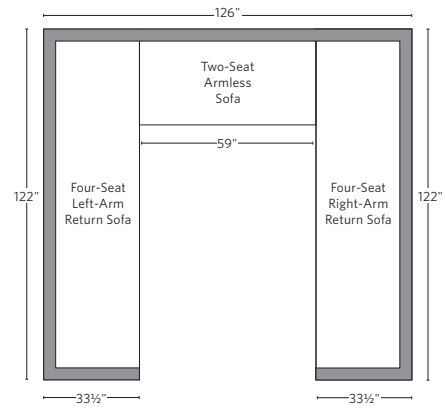


L-SECTIONAL

Available in left and right-arm configurations.



U-SOFA SECTIONAL



CORNER SECTIONAL

Available in left and right-arm configurations.

