

RESTORATION HARDWARE

BELGIAN SLOPE ARM SLIPCOVERED & UPHOLSTERED COLLECTION



FEATURES

Our European-inspired take on the classic sofa redefines it for a new age. Low to the ground, deep in profile and sleekly streamlined, it offers casual yet sophisticated appeal. Now available in slipcovered and upholstered styles.

- Available in 56 stain-resistant fabrics
- Offered in upholstered and slipcovered styles
- Available in 37" and 42" depths
- 2 seat cushions available for 7', 8' and 9' sofas
- 3 seat cushions available for 8' and 9' sofas
- Kiln-dried hardwood, double-doweled frames
- 8-way hand-tied spring suspension for superior durability, comfort and quality
- Sloped arms angle up toward the front gives sofa a streamlined look
- Deep seats offer sink-in comfort, while spacious proportions encourage long-term occupancy
- Loose back cushions and a single bench seat cushion
- Choose standard fill (polyfiber wrapped around a 4½"-foam core) or down-feather fill (80% feather, 20% down around a 3½"-foam core)
- Coordinating back cushions are all polyfiber or all feathers and down
- Connectors are included with all sectionals to help keep furniture in place

FABRIC CARE

Dust or vacuum regularly to help keep fabric looking new. Avoid direct sunlight and heat to prevent premature fading. Dab spills immediately with soft white cloth dampened with distilled water. Do not use tap water or detergents to clean. Do not wash or dry clean cushions or pillowcases separately as it could cause a slight variation in color. Professional in-home upholstery cleaning is recommended.

SWATCHES

Complimentary swatches available online, in stores or by calling 800.816.0901.

DELIVERY

*Stocked slipcovered in sand Belgian Linen (shown), with down-feather fill; 1-2 week delivery. All other colors and fabrics are custom order; 6-8 week delivery. See our website for delivery to Canada, pricing and additional views.

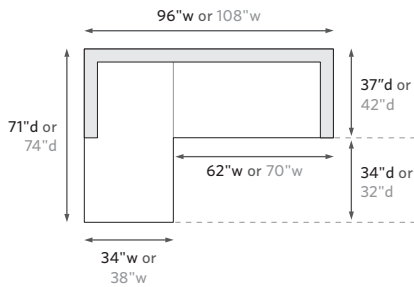
☐ Unlimited Furniture Delivery at a low flat rate based on delivery area. See a store associate or our website for details.

RESTORATION HARDWARE

BELGIAN SLOPE ARM COLLECTION

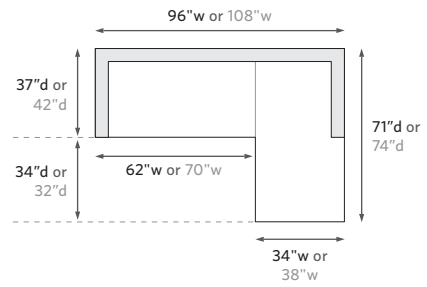
LEFT-ARM SOFA CHAISE SECTIONAL

96" Left-Arm Sofa Chaise: 96"w x 71"d x 33"h Overall
 108" Left-Arm Sofa Chaise: 108"w x 74"d x 33"h Overall



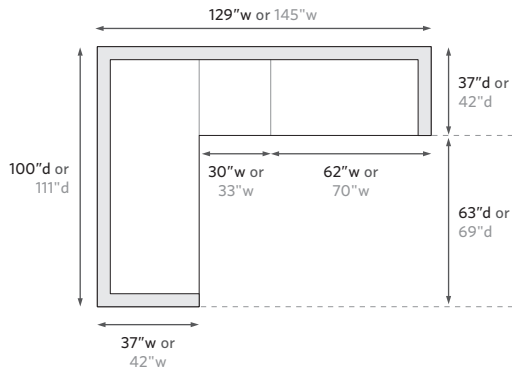
RIGHT-ARM SOFA CHAISE SECTIONAL

96" Right-Arm Sofa Chaise: 96"w x 71"d x 33"h Overall
 108" Right-Arm Sofa Chaise: 108"w x 74"d x 33"h Overall



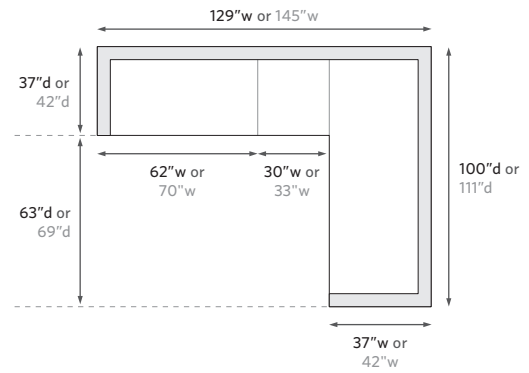
LEFT-ARM L-SECTIONAL

129" Left-Arm L-Sectional: 129"w x 100"d x 33"h Overall
 145" Left-Arm L-Sectional: 145"w x 111"d x 33"h Overall



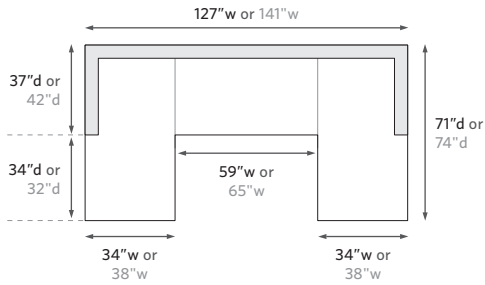
RIGHT-ARM L-SECTIONAL

129" Right-Arm L-Sectional: 129"w x 100"d x 33"h Overall
 145" Right-Arm L-Sectional: 145"w x 111"d x 33"h Overall



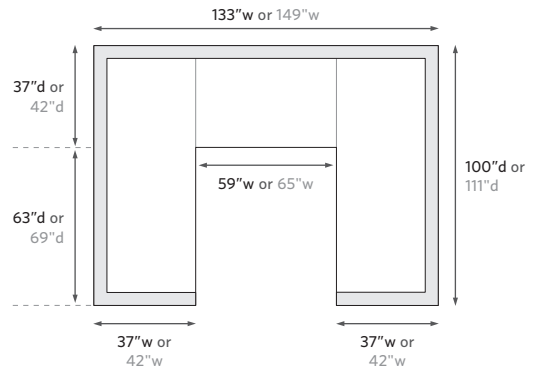
U-CHAISE SECTIONAL

127" U-Chaise Sectional: 127"w x 71"d x 33"h Overall
 141" U-Chaise Sectional: 141"w x 74"d x 33"h Overall



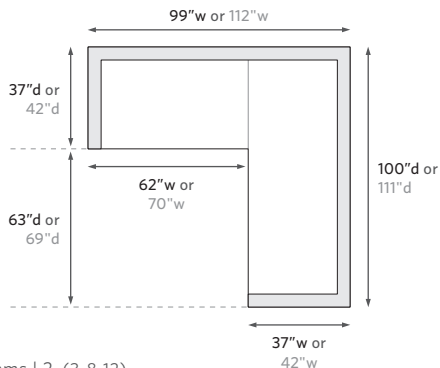
U-SOFA SECTIONAL

133" U-Sofa Sectional: 133"w x 100"d x 33"h Overall
 149" U-Sofa Sectional: 149"w x 111"d x 33"h Overall



CORNER SECTIONAL

99" Corner Sectional: 99"w x 100"d x 33"h Overall
 112" Corner Sectional: 112"w x 111"d x 33"h Overall



*Minimum clearance needed for delivery: 30"

RESTORATION HARDWARE

BELGIAN SLOPE ARM COLLECTION

Available in 56 stain-resistant fabrics, with or without skirted slipcovers. *Stocked slipcovered in sand Belgian Linen, with down-feather fill; 1-2 week delivery. All other colors and fabrics are custom order; 6-8 week delivery. See our website for delivery to Canada, pricing and additional views.

All dimensions are given in inches. See the attached "Dimensions Diagram" sheet for more information on the keys used in this chart.

BELGIAN SLOPE ARM COLLECTION	A	B	C	D	E	F	G	H	I	J	K	L	M	N	O	P	Q	R	T	U	S	MINIMUM CLEARANCE NEEDED FOR DELIVERY
	OVERALL WIDTH	OVERALL DEPTH	OVERALL HEIGHT	FRAME HEIGHT	SEAT HEIGHT	ARM HEIGHT	FOOT HEIGHT	SEAT HEIGHT (FLOOR TO CUSHION SEAM)	SEAT HEIGHT (FLOOR TO FRAME)	INSIDE SEAT WIDTH	INSIDE SEAT DEPTH W/ BACK CUSHION	INSIDE SEAT DEPTH W/O BACK CUSHION	INSIDE BACK HEIGHT W/ SEAT & BACK CUSHIONS	INSIDE BACK HEIGHT W/ SEAT CUSHION	INSIDE BACK HEIGHT W/O SEAT OR BACK CUSHION	ARM HEIGHT W/ SEAT CUSHION ON SEAT	ARM HEIGHT W/O SEAT CUSHION	ARM WIDTH	SLEEPER DEPTH OVERALL	SLEEPER DEPTH INSIDE	DIAGONAL CLEARANCE	MINIMUM CLEARANCE NEEDED FOR DELIVERY
5' CLASSIC SOFA	60	37	33	31	21	24	2	18	12	50	25	35	12	10	31	3	12	5	-	-	33	31
5' LUXE SOFA	60	42	33	31	21	24	2	18	12	50	25	35	12	10	31	3	12	5	-	-	33	31
6' CLASSIC SOFA*	72	37	33	31	21	24	2	18	12	62	25	35	12	10	31	3	12	5	-	-	33	31
6' LUXE SOFA*	72	42	33	31	21	24	2	18	12	62	25	35	12	10	31	3	12	5	-	-	33	31
7' CLASSIC SOFA*	84	37	33	31	21	24	2	18	12	74	25	35	12	10	31	3	12	5	-	-	33	31
7' LUXE SOFA*	84	42	33	31	21	24	2	18	12	74	25	35	12	10	31	3	12	5	-	-	33	31
8' CLASSIC SOFA*	96	37	33	31	21	24	2	18	12	86	25	35	12	10	31	3	12	5	-	-	33	31
8' LUXE SOFA*	96	42	33	31	21	24	2	18	12	86	25	35	12	10	31	3	12	5	-	-	33	31
9' CLASSIC SOFA*	108	37	33	31	21	24	2	18	12	98	25	35	12	10	31	3	12	5	-	-	33	31
9' LUXE SOFA*	108	42	33	31	21	24	2	18	12	98	25	35	12	10	31	3	12	5	-	-	33	31
8' SLEEPER SOFA	96	42	33	31	21	24	2	18	12	86	25	35	12	10	31	3	12	5	91	61	33	31
65" ARMLESS SOFA	65	42	33	31	21	-	2	18	12	65	25	35	12	10	31	-	-	-	-	-	-	31
CLASSIC CHAIR*/SWIVEL CHAIR	39	37	33	31	21	24	2	18	12	29	25	35	12	10	31	3	12	5	-	-	33	31

RESTORATION HARDWARE

BELGIAN SLOPE ARM COLLECTION

Available in 56 stain-resistant fabrics, with or without skirted slipcovers. *Stocked slipcovered in sand Belgian Linen, with down-feather fill; 1-2 week delivery. All other colors and fabrics are custom order; 6-8 week delivery. See our website for delivery to Canada, pricing and additional views.

All dimensions are given in inches. See the attached "Dimensions Diagram" sheet for more information on the keys used in this chart.

BELGIAN SLOPE ARM COLLECTION	A	B	C	D	E	F	G	H	I	J	K	L	M	N	O	P	Q	R	T	U	S	MINIMUM CLEARANCE NEEDED FOR DELIVERY
	OVERALL WIDTH	OVERALL DEPTH	OVERALL HEIGHT	FRAME HEIGHT	SEAT HEIGHT	ARM HEIGHT	FOOT HEIGHT	SEAT HEIGHT (FLOOR TO CUSHION SEAM)	SEAT HEIGHT (FLOOR TO FRAME)	INSIDE SEAT WIDTH	INSIDE SEAT DEPTH W/ BACK CUSHION	INSIDE SEAT DEPTH W/O BACK CUSHION	INSIDE BACK HEIGHT W/ SEAT & BACK CUSHIONS	INSIDE BACK HEIGHT W/ SEAT CUSHION	INSIDE BACK HEIGHT W/O SEAT OR BACK CUSHION	ARM HEIGHT W/ SEAT CUSHION ON SEAT	ARM HEIGHT W/O SEAT CUSHION	ARM WIDTH	SLEEPER DEPTH OVERALL	SLEEPER DEPTH INSIDE	DIAGONAL CLEARANCE	MINIMUM CLEARANCE NEEDED FOR DELIVERY
LUXE CHAIR*/SWIVEL CHAIR	39	42	33	31	21	24	2	18	12	29	25	35	12	10	31	3	12	5	-	-	33	31
ARMLESS CHAIR	33	42	33	31	21	-	2	18	12	33	25	35	12	10	31	-	-	-	-	-	33	33
OTTOMAN*	40	33	21	20	20	-	2	18	12	33	40	40	-	-	-	-	-	-	-	-	21	21
COFFEE OTTOMAN	68	40	22	20	20	-	2	18	12	33	40	40	-	-	-	-	-	-	-	-	-	20
CHAISE	39	72	33	31	21	24	2	18	12	29	25	35	12	10	31	3	12	5	-	-	33	31
DAYBED SOFA	96	60	33	31	21	24	2	18	12	-	25	35	12	10	31	3	12	5	-	-	33	31
96" CLASSIC LEFT-ARM SOFA CHAISE SECTIONAL	96	71	33	31	21	24	2	18	12	86	25	35	12	10	31	3	12	5	-	-	33	31
96" CLASSIC RIGHT-ARM SOFA CHAISE SECTIONAL	96	71	33	31	21	24	2	18	12	86	25	35	12	10	31	3	12	5	-	-	33	31
108" LUXE LEFT-ARM SOFA CHAISE SECTIONAL	108	74	33	31	21	24	2	18	12	98	25	35	12	10	31	3	12	5	-	-	33	31
108" LUXE RIGHT-ARM SOFA CHAISE SECTIONAL	108	74	33	31	21	24	2	18	12	98	25	35	12	10	31	3	12	5	-	-	33	31
127" CLASSIC U-CHAISE SECTIONAL	127	71	33	31	21	24	2	18	12	117	25	35	12	10	31	3	12	5	-	-	33	31
141" LUXE U-CHAISE SECTIONAL	141	74	33	31	21	24	2	18	12	130	25	35	12	10	31	3	12	5	-	-	33	31
133" CLASSIC U-SOFA SECTIONAL	133	100	33	31	21	24	2	18	12	-	25	35	12	10	31	3	12	5	-	-	33	31

RESTORATION HARDWARE

BELGIAN SLOPE ARM COLLECTION

Available in 56 stain-resistant fabrics, with or without skirted slipcovers. *Stocked slipcovered in sand Belgian Linen, with down-feather fill; 1-2 week delivery. All other colors and fabrics are custom order; 6-8 week delivery. See our website for delivery to Canada, pricing and additional views.

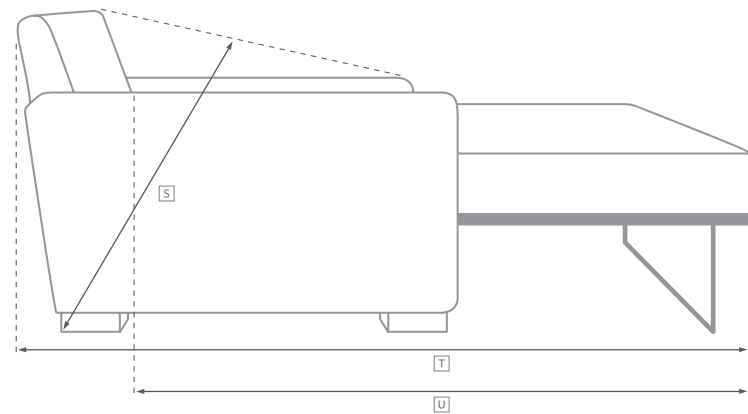
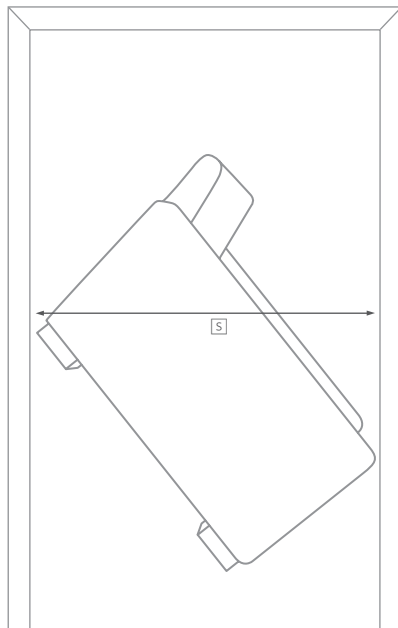
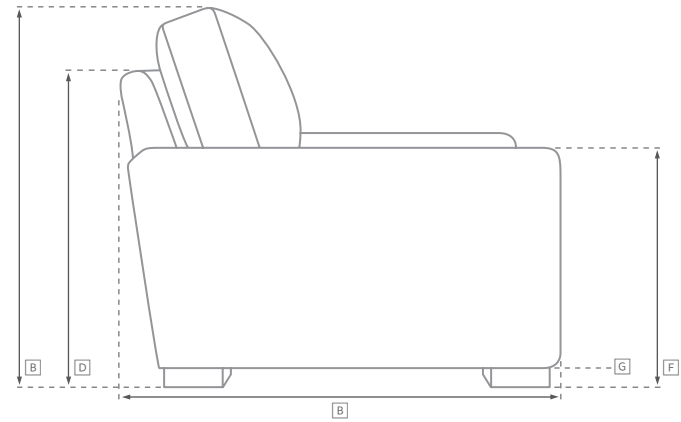
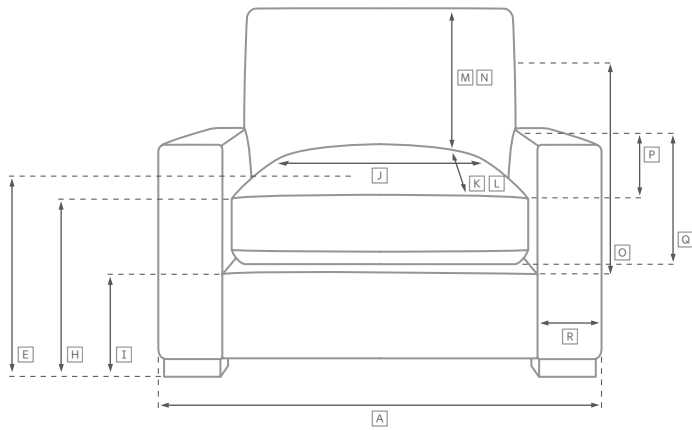
All dimensions are given in inches. See the attached "Dimensions Diagram" sheet for more information on the keys used in this chart.

BELGIAN SLOPE ARM COLLECTION	A	B	C	D	E	F	G	H	I	J	K	L	M	N	O	P	Q	R	T	U	S	MINIMUM CLEARANCE NEEDED FOR DELIVERY
	OVERALL WIDTH	OVERALL DEPTH	OVERALL HEIGHT	FRAME HEIGHT	SEAT HEIGHT	ARM HEIGHT	FOOT HEIGHT	SEAT HEIGHT (FLOOR TO CUSHION SEAM)	SEAT HEIGHT (FLOOR TO FRAME)	INSIDE SEAT WIDTH	INSIDE SEAT DEPTH W/ BACK CUSHION	INSIDE SEAT DEPTH W/O BACK CUSHION	INSIDE BACK HEIGHT W/ SEAT & BACK CUSHIONS	INSIDE BACK HEIGHT W/ SEAT CUSHION	INSIDE BACK HEIGHT W/O SEAT OR BACK CUSHION	ARM HEIGHT W/ SEAT CUSHION ON SEAT	ARM HEIGHT W/O SEAT CUSHION	ARM WIDTH	SLEEPER DEPTH OVERALL	SLEEPER DEPTH INSIDE	DIAGONAL CLEARANCE	MINIMUM CLEARANCE NEEDED FOR DELIVERY
149" LUXE U-SOFA SECTIONAL	149	111	33	31	21	24	2	18	12	-	25	35	12	10	31	3	12	5	-	-	33	31
99" CLASSIC CORNER SECTIONAL	99	100	33	31	21	24	2	18	12	-	25	35	12	10	31	3	12	5	-	-	33	31
112" LUXE CORNER SECTIONAL	112	111	33	31	21	24	2	18	12	-	25	35	12	10	31	3	12	5	-	-	33	31
129" CLASSIC LEFT-ARM L-SECTIONAL	129	100	33	31	21	24	2	18	12	-	25	35	12	10	31	3	12	5	-	-	33	31
145" LUXE LEFT-ARM L-SECTIONAL	145	111	33	31	21	24	2	18	12	-	25	35	12	10	31	3	12	5	-	-	33	31
129" CLASSIC RIGHT-ARM L-SECTIONAL	129	100	33	31	21	24	2	18	12	-	25	35	12	10	31	3	12	5	-	-	33	31
145" LUXE RIGHT-ARM L-SECTIONAL	145	111	33	31	21	24	2	18	12	-	25	35	12	10	31	3	12	5	-	-	33	31

RESTORATION HARDWARE

DIMENSIONS DIAGRAM

See the "Dimensions Sheet" for the measurements that correspond with the letters below.

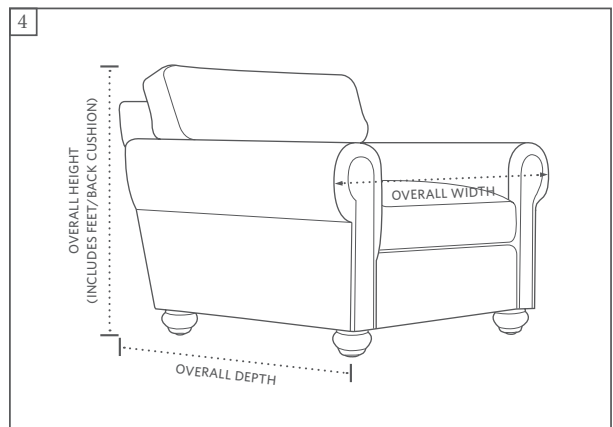
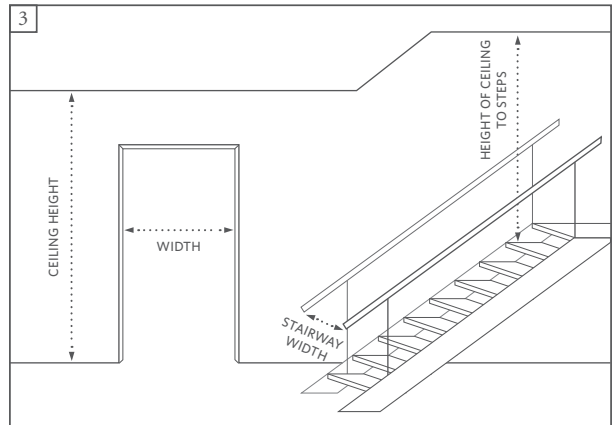
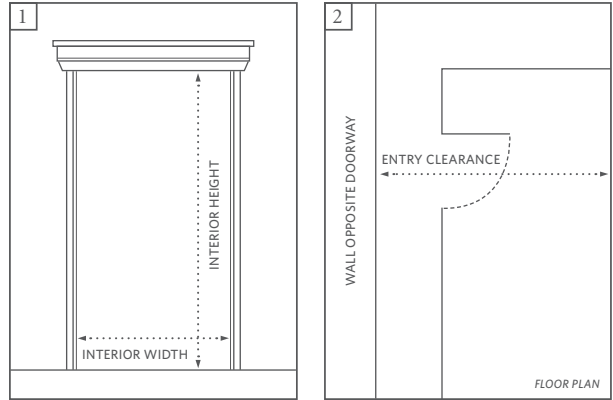


RESTORATION HARDWARE

MEASURING FURNITURE FOR DELIVERY

Before purchasing any furniture, it's important to ensure it can fit through all the entryways, elevators and stairways of your home. Follow these steps to ensure efficient delivery and avoid returns.

- Determine the best pathway from outside your home to the room where the new item will be placed.
- Make sure all access points are unobstructed and wide enough for the desired item.
- Measure the heights and widths of all entryways, including all stairways and hallways, both inside and outside your home (see 1).
- Measure the interior widths, depths and heights of all elevator doors to be used for delivery.
- Measure your entry clearance - the distance from the wall through the doorway to the opposite wall (see 2).
- Factor in all corners, ceiling height, stairways (heights, widths, angles, bannisters), and low hanging fixtures. Also account for any architectural details (see 3).
- Compare your measurements from above to the item's "minimum clearance" measurement online.
- To ensure successful delivery, the item's minimum clearance measurement must not exceed the height or width of any of the entryways (elevators and stairways included) to be used for delivery.
- Note that the furniture measurements we provide reflect overall dimensions, and overhangs, angles and outward curves will be included (see 4).



☒ Unlimited Furniture Delivery at a low flat rate based on delivery area. See a store associate or our website for details.

At Restoration Hardware, we take pride in the exceptional quality and craftsmanship of our furniture. Our attention to detail in design, material and construction is unyielding. And so is our commitment to customer satisfaction.

We carefully inspect each furniture item prior to shipment, and also require your inspection and signature upon delivery. Should you discover a defect in your furniture, however, please contact us at 800.910.9836 immediately. Furniture that is refused because it does not fit through an entryway will be refunded in merchandise or store credit only. Visit restorationhardware.com for more information on returns.

Please call Customer Service at 800.910.9836 with any questions you may have.

RESTORATION HARDWARE

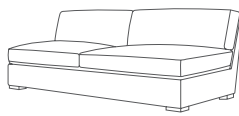
SECTIONALS GUIDE - HOME

SECTIONAL COMPONENTS

Our sectionals are composed of the following pieces: an “armless” chair or sofa; a “left-arm” chaise, sofa or corner sofa; and/or a “right-arm” chaise, sofa or corner sofa. Each component is named by the position of the arm as you face the piece:



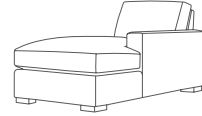
Armless Chair



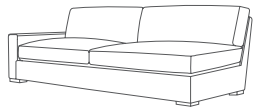
Armless Sofa



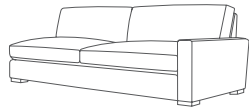
Left-Arm Chaise



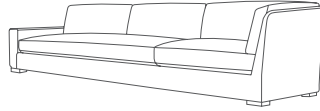
Right-Arm Chaise



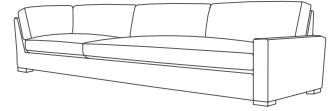
Left-Arm Sofa



Right-Arm Sofa



Left-Arm Corner Sofa*



Right-Arm Corner Sofa*

SECTIONAL SET CONFIGURATIONS

Restoration Hardware Home sectionals are sold as complete sets. As with individual components (see above), sectionals are named by the position of the arm on the identifying piece, as you face the set:



Right-Arm Sofa Chaise Sectional

Consists of (L to R):

1 Left-Arm Sofa and 1 Right-Arm Chaise

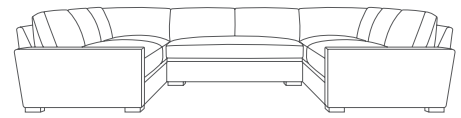
Left-Arm Sofa Chaise Sectional also available



U-Chaise Sectional*

Consists of (L to R):

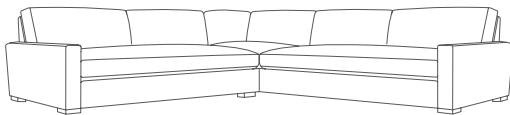
1 Left-Arm Chaise, 1 Armless Sofa
and 1 Right-Arm Chaise



U-Sofa Sectional*

Consists of (L to R):

1 Left-Arm Corner Sofa, 1 Armless Sofa
and 1 Right-Arm Corner Sofa



Corner Sectional*

Consists of (L to R):

1 Left-Arm Sofa and 1 Right-Arm Corner Sofa



Right-Arm L-Sectional*

Consists of (L to R):

1 Left-Arm Sofa, 1 Armless Chair and 1 Right-Arm Corner Sofa

Left-Arm L-Sectional also available

**May not be applicable to all collections.*

For Restoration Hardware Outdoor & Garden sectionals, please visit restorationhardware.com or contact a store or customer service associate.