

# RESTORATION HARDWARE

## BELGIAN SHELTER ARM SLIPCOVERED & UPHOLSTERED COLLECTION



### FEATURES

Our European-inspired take on the classic sofa redefines it for a new age. Low to the ground, deep in profile and sleekly streamlined, it offers casual yet sophisticated appeal. Now available in slipcovered and upholstered styles.

- Available in 56 stain-resistant fabrics
- Available in upholstered and slipcovered styles
- Available in 37" and 41" depths
- Kiln-dried hardwood, double-doweled frames
- 8-way hand-tied spring suspension for superior durability, comfort and quality
- High-sided shelter arms angle outward – an invitation to lean back
- Deep seats offer sink-in comfort, while spacious proportions encourage long-term occupancy
- Loose back cushions and a single bench seat cushion
- Choose standard fill (polyfiber wrapped around a 4½"-foam core) or down-feather fill (80% feather, 20% down around a 3½"-foam core)
- Coordinating back cushions are all polyfiber or all feathers and down
- Connectors are included with all sectionals to help keep furniture in place

### FABRIC CARE

Dust or vacuum regularly to help keep fabric looking new. Avoid direct sunlight and heat to prevent premature fading. Dab spills immediately with soft white cloth dampened with distilled water. Do not use tap water or detergents to clean. Do not wash or dry clean cushions or pillowcases separately as it could cause a slight variation in color. Professional in-home upholstery cleaning is recommended.

### SWATCHES

Complimentary swatches available online, in stores or by calling 800.816.0901.

### DELIVERY

All colors and fabrics are custom order; 6-8 week delivery. See our website for delivery to Canada, pricing and additional views.

📍 Unlimited Furniture Delivery at a low flat rate based on delivery area. See a store associate or our website for details.

# RESTORATION HARDWARE

## BELGIAN SHELTER ARM SLIPCOVERED COLLECTION

Available in 56 stain-resistant fabrics, with or without skirted slipcovers. All colors and fabrics are custom order; 6-8 week delivery. See our website for delivery to Canada, pricing and additional views.

All dimensions are given in inches. See the attached "Dimensions Diagram" sheet for more information on the keys used in this chart.

BELGIAN SHELTER ARM SLIPCOVERED COLLECTION	OVERALL WIDTH A	OVERALL DEPTH B	OVERALL HEIGHT C	FRAME HEIGHT D	SEAT HEIGHT E	ARM HEIGHT F	FOOT HEIGHT G	SEAT HEIGHT (FLOOR TO CUSHION SEAM) H	SEAT HEIGHT (FLOOR TO FRAME) I	INSIDE SEAT WIDTH J	INSIDE SEAT DEPTH W/ BACK CUSHION K	INSIDE SEAT DEPTH W/O BACK CUSHION L	INSIDE BACK HEIGHT W/ SEAT & BACK CUSHIONS M	INSIDE BACK HEIGHT W/ SEAT CUSHION N	INSIDE BACK HEIGHT W/O SEAT OR BACK CUSHION O	ARM HEIGHT W/ SEAT CUSHION ON SEAT P	ARM HEIGHT W/O SEAT CUSHION Q	ARM WIDTH R	SLEEPER DEPTH OVERALL T	SLEEPER DEPTH INSIDE U	DIAGONAL CLEARANCE S	MINIMUM CLEARANCE NEEDED FOR DELIVERY
5' CLASSIC SOFA	60	37	31	31	19	31	2½	17	11	50	27	36	12	12	19	12	19	5	-	-	46	31
5' LUXE SOFA	60	41	31	31	19	31	2½	17	11	50	27	36	12	12	19	12	19	5	-	-	46	31
6' CLASSIC SOFA	72	37	31	31	19	31	2½	17	11	62	27	36	12	12	19	12	19	5	-	-	46	31
6' LUXE SOFA	72	41	31	31	19	31	2½	17	11	62	27	36	12	12	19	12	19	5	-	-	46	31
7' CLASSIC SOFA	84	37	31	31	19	31	2½	17	11	74	27	36	12	12	19	12	19	5	-	-	46	31
7' LUXE SOFA	84	41	31	31	19	31	2½	17	11	74	27	36	12	12	19	12	19	5	-	-	46	31
8' CLASSIC SOFA	96	37	31	31	19	31	2½	17	11	86	27	36	12	12	19	12	19	5	-	-	46	31
8' LUXE SOFA	96	41	31	31	19	31	2½	17	11	86	27	36	12	12	19	12	19	5	-	-	46	31
9' CLASSIC SOFA	108	37	31	31	19	31	2½	17	11	98	27	36	12	12	19	12	19	5	-	-	46	31
9' LUXE SOFA	108	41	31	31	19	31	2½	17	11	98	27	36	12	12	19	12	19	5	-	-	46	31
8' SLEEPER SOFA	96	41	31	31	19	31	2½	17	11	86	27	36	12	12	19	12	19	5	93	61	46	31
34" ARMLESS CHAIR	34	41	31	31	19	-	2½	17	11	34	27	36	12	12	19	-	-	-	-	-	-	31
67" ARMLESS SOFA	67	41	31	31	19	-	2½	17	11	67	27	36	12	12	19	-	-	-	-	-	-	31

# RESTORATION HARDWARE

## BELGIAN SHELTER ARM SLIPCOVERED COLLECTION

Available in 56 stain-resistant fabrics, with or without skirted slipcovers. All colors and fabrics are custom order; 6-8 week delivery. See our website for delivery to Canada, pricing and additional views.

All dimensions are given in inches. See the attached "Dimensions Diagram" sheet for more information on the keys used in this chart.

BELGIAN SHELTER ARM SLIPCOVERED COLLECTION	OVERALL WIDTH A	OVERALL DEPTH B	OVERALL HEIGHT C	FRAME HEIGHT D	SEAT HEIGHT E	ARM HEIGHT F	FOOT HEIGHT G	SEAT HEIGHT (FLOOR TO CUSHION SEAM) H	SEAT HEIGHT (FLOOR TO FRAME) I	INSIDE SEAT WIDTH J	INSIDE SEAT DEPTH W/ BACK CUSHION K	INSIDE SEAT DEPTH W/O BACK CUSHION L	INSIDE BACK HEIGHT W/ SEAT & BACK CUSHIONS M	INSIDE BACK HEIGHT W/ SEAT CUSHION N	INSIDE BACK HEIGHT W/O SEAT OR BACK CUSHION O	ARM HEIGHT W/ SEAT CUSHION ON SEAT P	ARM HEIGHT W/O SEAT CUSHION Q	ARM WIDTH R	SLEEPER DEPTH OVERALL T	SLEEPER DEPTH INSIDE U	DIAGONAL CLEARANCE S	MINIMUM CLEARANCE NEEDED FOR DELIVERY
CLASSIC CHAIR/SWIVEL CHAIR	44	37	31	31	19	31	2½	17	11	34	27	36	12	12	19	12	19	5	-	-	46	31
LUXE CHAIR/SWIVEL CHAIR	44	41	31	31	19	31	2½	17	11	34	27	36	12	12	19	12	19	5	-	-	46	31
OTTOMAN	37	32	19	20	19	31	2½	17	11	37	-	-	-	-	-	-	-	-	-	-	20	20
COFFEE OTTOMAN	68	40	22	20	19	31	2½	17	11	68	-	-	-	-	-	-	-	-	-	-	20	20
96" CLASSIC LEFT-ARM SOFA CHAISE SECTIONAL	96	70	31	31	19	31	2½	17	11	86	27	36	12	12	19	12	19	5	-	-	46	31
96" CLASSIC RIGHT-ARM SOFA CHAISE SECTIONAL	96	70	31	31	19	31	2½	17	11	86	27	36	12	12	19	12	19	5	-	-	46	31
115" LUXE LEFT-ARM SOFA CHAISE SECTIONAL	115	74	31	31	19	31	2½	17	11	105	27	36	12	12	19	12	19	5	-	-	46	31
115" LUXE RIGHT-ARM SOFA CHAISE SECTIONAL	115	74	31	31	19	31	2½	17	11	105	27	36	12	12	19	12	19	5	-	-	46	31
127" CLASSIC U-CHAISE SECTIONAL	127	70	31	31	19	31	2½	17	11	139	27	36	12	12	19	12	19	5	-	-	46	31
149" LUXE U-CHAISE SECTIONAL	149	74	31	31	19	31	2½	17	11	139	27	36	12	12	19	12	19	5	-	-	46	31
133" CLASSIC U-SOFA SECTIONAL	133	100	31	31	19	31	2½	17	11	-	27	36	12	12	19	12	19	5	-	-	46	31
149" LUXE U-SOFA SECTIONAL	149	115	31	31	19	31	2½	17	11	-	27	36	12	12	19	12	19	5	-	-	46	31
99" CLASSIC CORNER SECTIONAL	99	100	31	31	9	31	2½	17	11	-	27	36	12	12	19	12	19	5	-	-	46	31

# RESTORATION HARDWARE

## BELGIAN SHELTER ARM SLIPCOVERED COLLECTION

Available in 56 stain-resistant fabrics, with or without skirted slipcovers. All colors and fabrics are custom order; 6-8 week delivery. See our website for delivery to Canada, pricing and additional views.

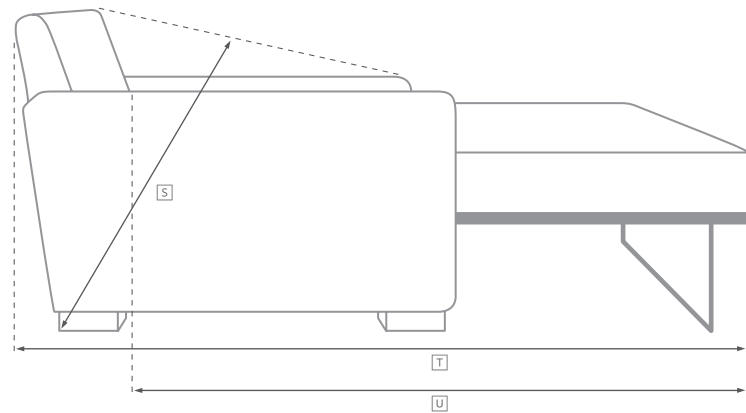
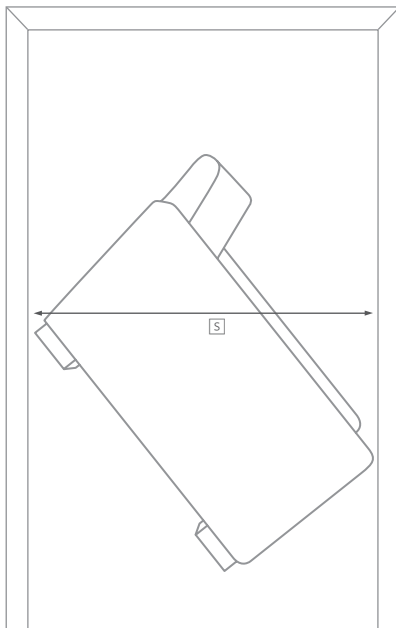
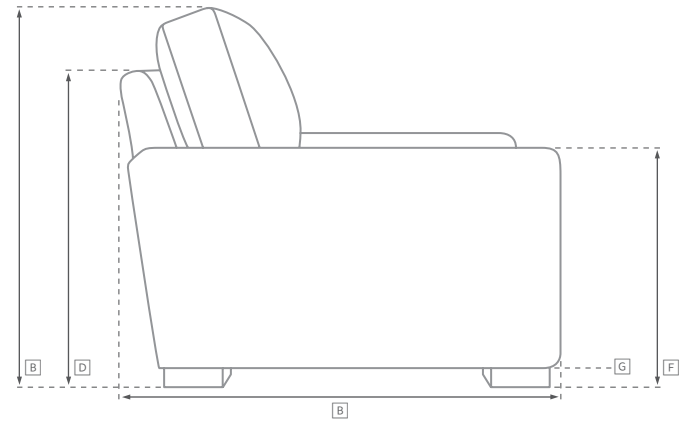
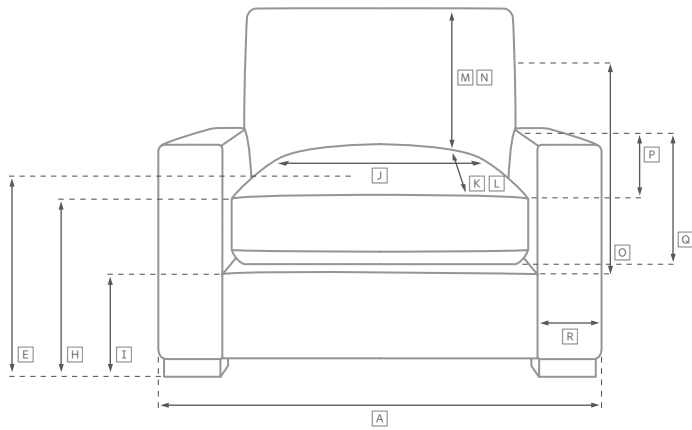
All dimensions are given in inches. See the attached "Dimensions Diagram" sheet for more information on the keys used in this chart.

BELGIAN SHELTER ARM SLIPCOVERED COLLECTION	OVERALL WIDTH A	OVERALL DEPTH B	OVERALL HEIGHT C	FRAME HEIGHT D	SEAT HEIGHT E	ARM HEIGHT F	FOOT HEIGHT G	SEAT HEIGHT (FLOOR TO CUSHION SEAM) H	SEAT HEIGHT (FLOOR TO FRAME) I	INSIDE SEAT WIDTH J	INSIDE SEAT DEPTH W/ BACK CUSHION K	INSIDE SEAT DEPTH W/O BACK CUSHION L	INSIDE BACK HEIGHT W/ SEAT & BACK CUSHIONS M	INSIDE BACK HEIGHT W/ SEAT CUSHION N	INSIDE BACK HEIGHT W/O SEAT OR BACK CUSHION O	ARM HEIGHT W/ SEAT CUSHION ON SEAT P	ARM HEIGHT W/O SEAT CUSHION Q	ARM WIDTH R	SLEEPER DEPTH OVERALL T	SLEEPER DEPTH INSIDE U	DIAGONAL CLEARANCE S	MINIMUM CLEARANCE NEEDED FOR DELIVERY
115" LUXE CORNER SECTIONAL	115	115	31	31	19	31	2½	17	11	-	27	36	12	12	19	12	19	5	-	-	46	31
129" CLASSIC LEFT-ARM L-SECTIONAL	129	100	31	31	9	31	2½	17	11	-	27	36	12	12	19	12	19	5	-	-	46	31
148" LUXE LEFT-ARM L-SECTIONAL	149	115	31	31	19	31	2½	17	11	-	27	36	12	12	19	12	19	5	-	-	46	31
129" CLASSIC RIGHT-ARM L-SECTIONAL	129	100	31	31	19	31	2½	17	11	-	27	36	12	12	19	12	19	5	-	-	46	31
148" LUXE RIGHT-ARM L-SECTIONAL	149	115	31	31	19	31	2½	17	11	-	27	36	12	12	19	12	19	5	-	-	46	31

# RESTORATION HARDWARE

## DIMENSIONS DIAGRAM

See the "Dimensions Sheet" for the measurements that correspond with the letters below.

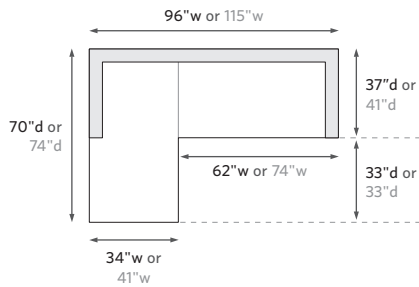


# RESTORATION HARDWARE

## BELGIAN SHELTER ARM COLLECTION

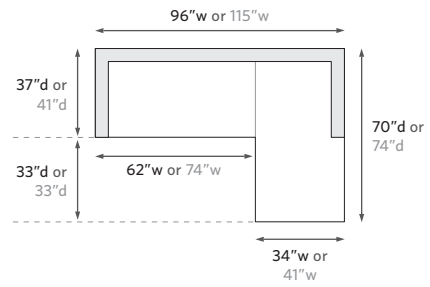
### LEFT-ARM SOFA CHAISE SECTIONAL

96" Left-Arm Sofa Chaise: 96"w x 70"d x 31"h Overall  
 115" Left-Arm Sofa Chaise: 115"w x 74"d x 31"h Overall



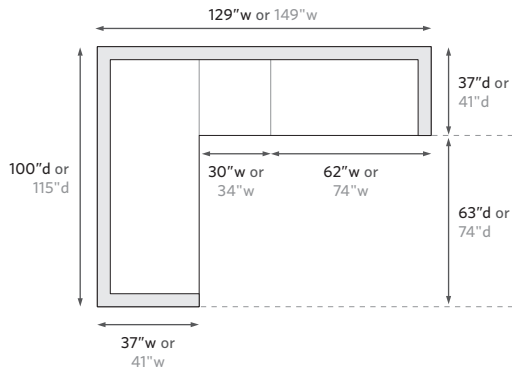
### RIGHT-ARM SOFA CHAISE SECTIONAL

96" Right-Arm Sofa Chaise: 96"w x 70"d x 31"h Overall  
 115" Right-Arm Sofa Chaise: 115"w x 74"d x 31"h Overall



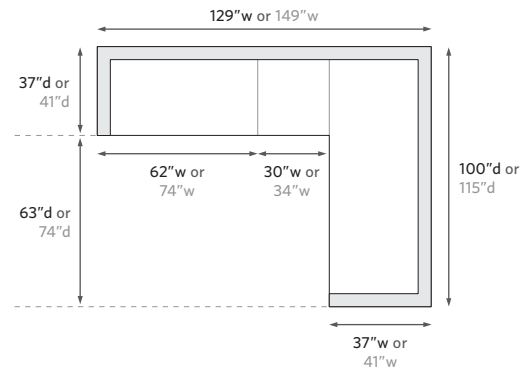
### LEFT-ARM L-SECTIONAL

129" Left-Arm L-Sectional: 129"w x 100"d x 31"h Overall  
 149" Left-Arm L-Sectional: 149"w x 115"d x 31"h Overall



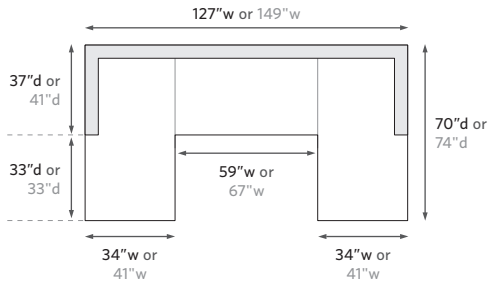
### RIGHT-ARM L-SECTIONAL

129" Right-Arm L-Sectional: 129"w x 100"d x 31"h Overall  
 149" Right-Arm L-Sectional: 149"w x 115"d x 31"h Overall



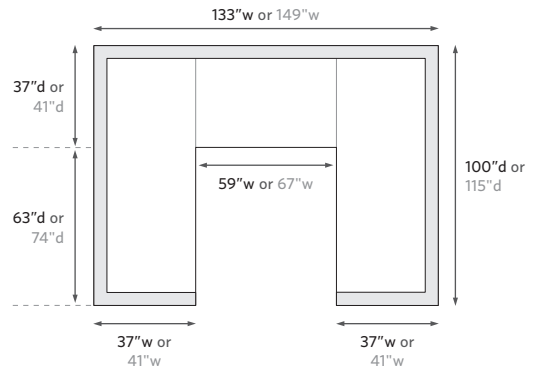
### U-CHAISE SECTIONAL

127" U-Chaise Sectional: 127"w x 70"d x 31"h Overall  
 149" U-Chaise Sectional: 149"w x 74"d x 31"h Overall



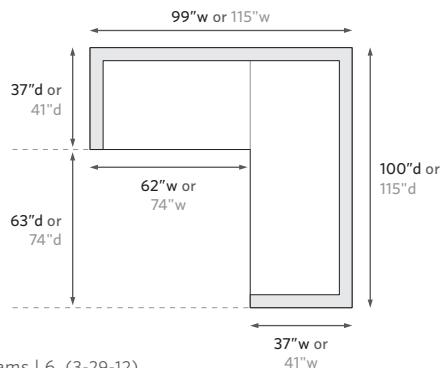
### U-SOFA SECTIONAL

133" U-Sofa Sectional: 133"w x 100"d x 31"h Overall  
 149" U-Sofa Sectional: 149"w x 115"d x 31"h Overall



### CORNER SECTIONAL

99" Corner Sectional: 99"w x 100"d x 31"h Overall  
 115" Corner Sectional: 115"w x 115"d x 31"h Overall



\*Minimum clearance needed for delivery: 46"

# RESTORATION HARDWARE

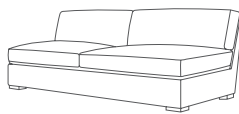
## SECTIONALS GUIDE - HOME

### SECTIONAL COMPONENTS

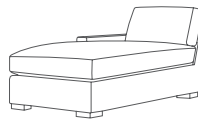
Our sectionals are composed of the following pieces: an “armless” chair or sofa; a “left-arm” chaise, sofa or corner sofa; and/or a “right-arm” chaise, sofa or corner sofa. Each component is named by the position of the arm as you face the piece:



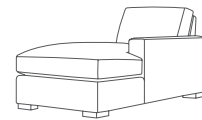
Armless Chair



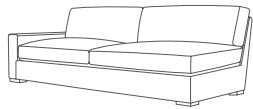
Armless Sofa



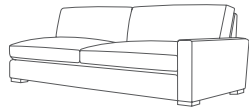
Left-Arm Chaise



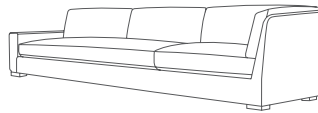
Right-Arm Chaise



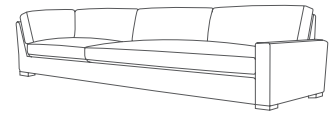
Left-Arm Sofa



Right-Arm Sofa



Left-Arm Corner Sofa\*



Right-Arm Corner Sofa\*

### SECTIONAL SET CONFIGURATIONS

Restoration Hardware Home sectionals are sold as complete sets. As with individual components (see above), sectionals are named by the position of the arm on the identifying piece, as you face the set:



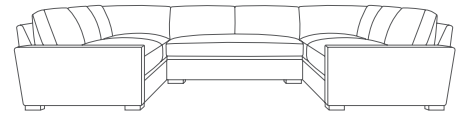
Right-Arm Sofa Chaise Sectional

Consists of (L to R):  
1 Left-Arm Sofa and 1 Right-Arm Chaise  
*Left-Arm Sofa Chaise Sectional also available*



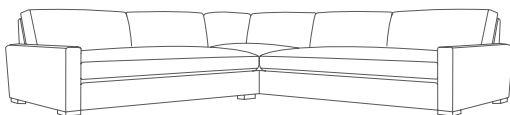
U-Chaise Sectional\*

Consists of (L to R):  
1 Left-Arm Chaise, 1 Armless Sofa  
and 1 Right-Arm Chaise



U-Sofa Sectional\*

Consists of (L to R):  
1 Left-Arm Corner Sofa, 1 Armless Sofa  
and 1 Right-Arm Corner Sofa



Corner Sectional\*

Consists of (L to R):  
1 Left-Arm Sofa and 1 Right-Arm Corner Sofa



Right-Arm L-Sectional\*

Consists of (L to R):  
1 Left-Arm Sofa, 1 Armless Chair and 1 Right-Arm Corner Sofa  
*Left-Arm L-Sectional also available*

*\*May not be applicable to all collections.*

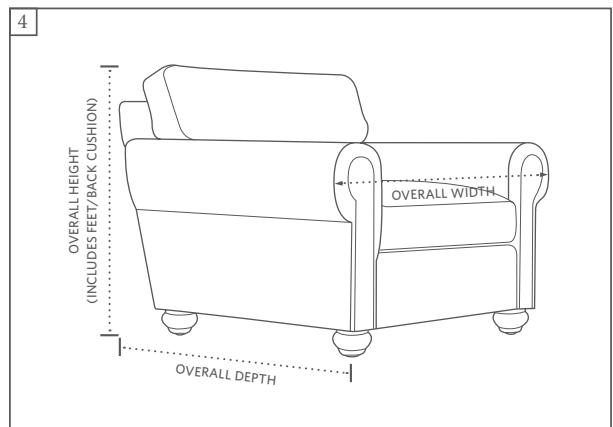
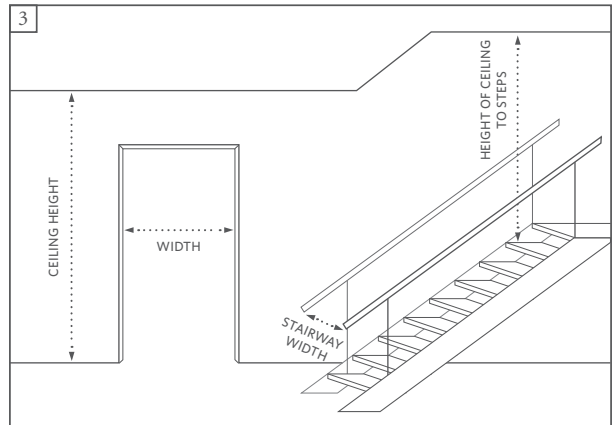
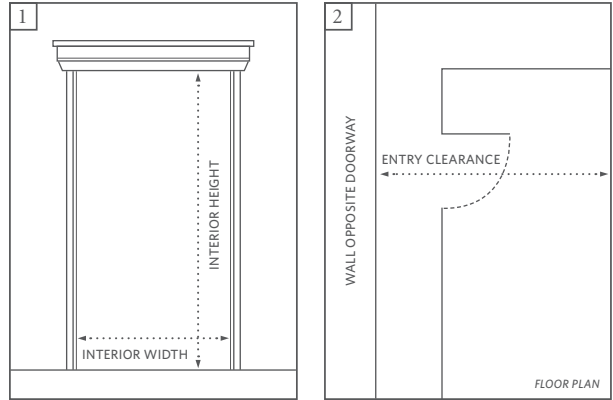
*For Restoration Hardware Outdoor & Garden sectionals, please visit [restorationhardware.com](http://restorationhardware.com) or contact a store or customer service associate.*

# RESTORATION HARDWARE

## MEASURING FURNITURE FOR DELIVERY

Before purchasing any furniture, it's important to ensure it can fit through all the entryways, elevators and stairways of your home. Follow these steps to ensure efficient delivery and avoid returns.

- Determine the best pathway from outside your home to the room where the new item will be placed.
- Make sure all access points are unobstructed and wide enough for the desired item.
- Measure the heights and widths of all entryways, including all stairways and hallways, both inside and outside your home (see 1).
- Measure the interior widths, depths and heights of all elevator doors to be used for delivery.
- Measure your entry clearance - the distance from the wall through the doorway to the opposite wall (see 2).
- Factor in all corners, ceiling height, stairways (heights, widths, angles, bannisters), and low hanging fixtures. Also account for any architectural details (see 3).
- Compare your measurements from above to the item's "minimum clearance" measurement online.
- To ensure successful delivery, the item's minimum clearance measurement must not exceed the height or width of any of the entryways (elevators and stairways included) to be used for delivery.
- Note that the furniture measurements we provide reflect overall dimensions, and overhangs, angles and outward curves will be included (see 4).



☒ Unlimited Furniture Delivery at a low flat rate based on delivery area. See a store associate or our website for details.

At Restoration Hardware, we take pride in the exceptional quality and craftsmanship of our furniture. Our attention to detail in design, material and construction is unyielding. And so is our commitment to customer satisfaction.

We carefully inspect each furniture item prior to shipment, and also require your inspection and signature upon delivery. Should you discover a defect in your furniture, however, please contact us at 800.910.9836 immediately. Furniture that is refused because it does not fit through an entryway will be refunded in merchandise or store credit only. Visit [restorationhardware.com](http://restorationhardware.com) for more information on returns.

Please call Customer Service at 800.910.9836 with any questions you may have.