

RESTORATION HARDWARE

BELGIAN ROLL ARM SLIPCOVERED & UPHOLSTERED COLLECTION



5' Sofa



6' Sofa



7', 8', 9' Sofa and 8' Sleeper Sofa



Chair and Swivel Chair



Ottoman



Coffee Ottoman



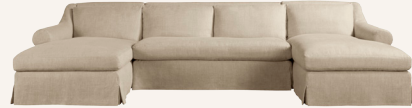
Chaise



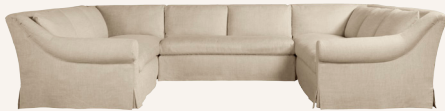
Daybed Sofa



Right-Arm Sofa Chaise Sectional



U-Chaise Sectional



U-Sofa Sectional



Corner Sectional



Right-Arm L-Sectional

FEATURES

Our European-inspired take on the classic sofa redefines it for a new age. Low to the ground, deep in profile and sleekly streamlined, it offers casual yet sophisticated appeal. Now available in slipcovered and upholstered styles.

- Available in 56 stain-resistant fabrics
- Available in upholstered and slipcovered styles
- Available in 41" and 47" depths
- Kiln-dried hardwood, double-doweled frames
- 8-way hand-tied spring suspension for superior durability, comfort and quality
- Traditional roll arms are sized for comfortable sitting or snoozing
- Deep seats offer sink-in comfort, while spacious proportions encourage long-term occupancy
- Loose back cushions and a single bench seat cushion
- Choose standard fill (polyfiber wrapped around a 4½"-foam core) or down-feather fill (80% feather, 20% down around a 3½"-foam core)
- Coordinating back cushions are all polyfiber or all feathers and down
- Connectors are included with all sectionals to help keep furniture in place

FABRIC CARE

Dust or vacuum regularly to help keep fabric looking new. Avoid direct sunlight and heat to prevent premature fading. Dab spills immediately with soft white cloth dampened with distilled water. Do not use tap water or detergents to clean. Do not wash or dry clean cushions or pillowcases separately as it could cause a slight variation in color. Professional in-home upholstery cleaning is recommended.

SWATCHES

Complimentary swatches available online, in stores or by calling 800.816.0901.

DELIVERY

*Stocked slipcovered in sand Belgian Linen (shown), with down-feather fill; 1-2 week delivery. All other colors and fabrics are custom order; 6-8 week delivery. See our website for delivery to Canada, pricing and additional views.

 Unlimited Furniture Delivery at a low flat rate based on delivery area. See a store associate or our website for details.

RESTORATION HARDWARE

BELGIAN ROLL ARM COLLECTION

Available in 56 stain-resistant fabrics, with or without skirted slipcovers. *Stocked slipcovered in sand Belgian Linen, with down-feather fill; 1-2 week delivery. All other colors and fabrics are custom order; 6-8 week delivery. See our website for delivery to Canada, pricing and additional views.

All dimensions are given in inches. See the attached "Dimensions Diagram" sheet for more information on the keys used in this chart.

BELGIAN ROLL ARM COLLECTION	A	B	C	D	E	F	G	H	I	J	K	L	M	N	O	P	Q	R	T	U	S	MINIMUM CLEARANCE NEEDED FOR DELIVERY
	OVERALL WIDTH	OVERALL DEPTH	OVERALL HEIGHT	FRAME HEIGHT	SEAT HEIGHT	ARM HEIGHT	FOOT HEIGHT	SEAT HEIGHT (FLOOR TO CUSHION SEAM)	SEAT HEIGHT (FLOOR TO FRAME)	INSIDE SEAT WIDTH	INSIDE SEAT DEPTH W/ BACK CUSHION	INSIDE SEAT DEPTH W/O BACK CUSHION	INSIDE BACK HEIGHT W/ SEAT & BACK CUSHIONS	INSIDE BACK HEIGHT W/ SEAT CUSHION	INSIDE BACK HEIGHT W/O SEAT OR BACK CUSHION	ARM HEIGHT W/ SEAT CUSHION ON SEAT	ARM HEIGHT W/O SEAT CUSHION	ARM WIDTH	SLEEPER DEPTH OVERALL	SLEEPER DEPTH INSIDE	DIAGONAL CLEARANCE	MINIMUM CLEARANCE NEEDED FOR DELIVERY
5' CLASSIC SOFA	60	41	35	34	20	25	2¾	18	12	42	28	35	14	14	26	5	15	9	-	-	33	33
5' LUXE SOFA	60	47	35	34	20	25	2¾	18	12	42	28	35	14	14	26	5	15	9	-	-	33	33
6' CLASSIC SOFA	72	41	35	34	20	25	2¾	18	12	54	28	35	14	14	26	5	15	9	-	-	33	33
6' LUXE SOFA	72	47	35	34	20	25	2¾	18	12	54	28	35	14	14	26	5	15	9	-	-	33	33
7' CLASSIC SOFA	84	41	35	34	20	25	2¾	18	12	66	28	35	14	14	26	5	15	9	-	-	33	33
7' LUXE SOFA*	84	47	35	34	20	25	2¾	18	12	66	28	35	14	14	26	5	15	9	-	-	33	33
8' CLASSIC SOFA	96	41	35	34	20	25	2¾	18	12	78	28	35	14	14	26	5	15	9	-	-	33	33
8' LUXE SOFA*	96	47	35	34	20	25	2¾	18	12	78	28	35	14	14	26	5	15	9	-	-	33	33
9' CLASSIC SOFA	109	41	35	34	20	25	2¾	18	12	91	28	35	14	14	26	5	15	9	-	-	33	33
9' LUXE SOFA*	109	47	35	34	20	25	2¾	18	12	91	28	35	14	14	26	5	15	9	-	-	33	33
8' SLEEPER SOFA	96	47	35	34	20	25	2¾	18	12	78	28	35	14	14	26	5	15	9	96	61	33	33
65" ARMLESS SOFA	65	47	35	34	20	25	2¾	18	12	65	28	35	14	14	26	5	15	9	-	-	33	33
CLASSIC CHAIR/SWIVEL CHAIR	48	41	35	34	20	25	2¾	18	12	30	28	35	14	14	26	5	15	9	-	-	33	33

RESTORATION HARDWARE

BELGIAN ROLL ARM COLLECTION

Available in 56 stain-resistant fabrics, with or without skirted slipcovers. *Stocked slipcovered in sand Belgian Linen, with down-feather fill; 1-2 week delivery. All other colors and fabrics are custom order; 6-8 week delivery. See our website for delivery to Canada, pricing and additional views.

All dimensions are given in inches. See the attached "Dimensions Diagram" sheet for more information on the keys used in this chart.

BELGIAN ROLL ARM COLLECTION	A	B	C	D	E	F	G	H	I	J	K	L	M	N	O	P	Q	R	T	U	S	MINIMUM CLEARANCE NEEDED FOR DELIVERY
	OVERALL WIDTH	OVERALL DEPTH	OVERALL HEIGHT	FRAME HEIGHT	SEAT HEIGHT	ARM HEIGHT	FOOT HEIGHT	SEAT HEIGHT (FLOOR TO CUSHION SEAM)	SEAT HEIGHT (FLOOR TO FRAME)	INSIDE SEAT WIDTH	INSIDE SEAT DEPTH W/ BACK CUSHION	INSIDE SEAT DEPTH W/O BACK CUSHION	INSIDE BACK HEIGHT W/ SEAT & BACK CUSHIONS	INSIDE BACK HEIGHT W/ SEAT CUSHION	INSIDE BACK HEIGHT W/O SEAT OR BACK CUSHION	ARM HEIGHT W/ SEAT CUSHION ON SEAT	ARM HEIGHT W/O SEAT CUSHION	ARM WIDTH	SLEEPER DEPTH OVERALL	SLEEPER DEPTH INSIDE	DIAGONAL CLEARANCE	MINIMUM CLEARANCE NEEDED FOR DELIVERY
LUXE CHAIR/SWIVEL CHAIR	48	47	35	34	20	25	2¾	18	12	30	28	35	14	14	26	5	15	9	-	-	33	33
ARMLESS CHAIR	33	47	35	34	20	25	2¾	18	12	33	28	35	14	14	26	5	15	9	-	-	33	33
OTTOMAN	42	32	20	20	20	-	2¾	18	12	42	-	-	-	-	-	-	-	-	-	-	20	20
COFFEE OTTOMAN	68	40	22	20	20	-	2¾	18	12	42	-	-	-	-	-	-	-	-	-	-	22	22
CHAISE	48	78	35	34	20	25	2¾	18	12	30	28	35	14	14	26	5	15	9	-	-	33	33
DAYBED SOFA	96	60	35	34	20	25	2¾	18	12	78	28	35	14	14	26	5	15	9	-	-	33	33
96" CLASSIC LEFT-ARM SOFA CHAISE SECTIONAL	96	73	35	34	20	25	2¾	18	12	78	28	35	14	14	26	5	15	9	-	-	33	33
96" CLASSIC RIGHT-ARM SOFA CHAISE SECTIONAL	96	73	35	34	20	25	2¾	18	12	78	28	35	14	14	26	5	15	9	-	-	33	33
115" LUXE LEFT-ARM SOFA CHAISE SECTIONAL	115	80	35	34	20	25	2¾	18	12	97	28	35	14	14	26	5	15	9	-	-	33	33
115" LUXE RIGHT-ARM SOFA CHAISE SECTIONAL	115	80	35	34	20	25	2¾	18	12	97	28	35	14	14	26	5	15	9	-	-	33	33
130" CLASSIC U-CHAISE SECTIONAL	130	73	35	34	20	25	2¾	18	12	112	28	35	14	14	26	5	15	9	-	-	33	33
147" LUXE U-CHAISE SECTIONAL	147	80	35	34	20	25	2¾	18	12	129	28	35	14	14	26	5	15	9	-	-	33	33
142" CLASSIC U-SOFA SECTIONAL	142	101	35	34	20	25	2¾	18	12	124	28	35	14	14	26	5	15	9	-	-	33	33

RESTORATION HARDWARE

BELGIAN ROLL ARM COLLECTION

Available in 56 stain-resistant fabrics, with or without skirted slipcovers. *Stocked slipcovered in sand Belgian Linen, with down-feather fill; 1-2 week delivery. All other colors and fabrics are custom order; 6-8 week delivery. See our website for delivery to Canada, pricing and additional views.

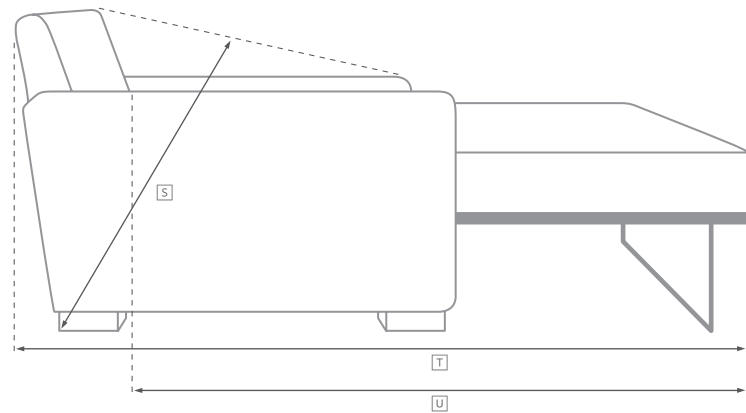
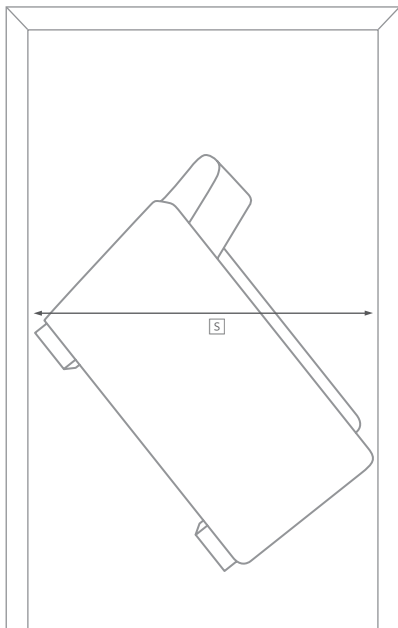
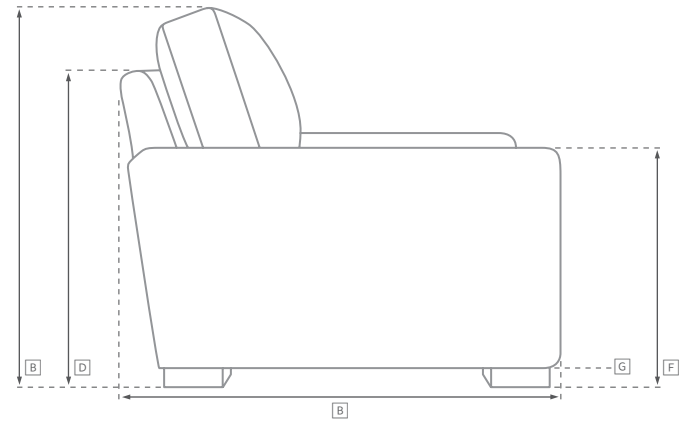
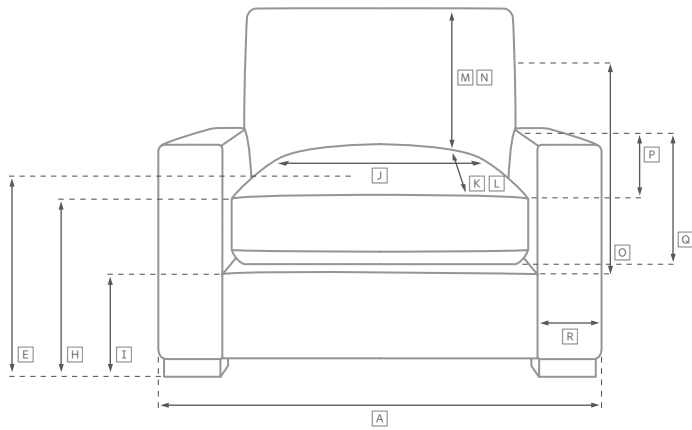
All dimensions are given in inches. See the attached "Dimensions Diagram" sheet for more information on the keys used in this chart.

BELGIAN ROLL ARM COLLECTION	A OVERALL WIDTH	B OVERALL DEPTH	C OVERALL HEIGHT	D FRAME HEIGHT	E SEAT HEIGHT	F ARM HEIGHT	G FOOT HEIGHT	H SEAT HEIGHT (FLOOR TO CUSHION SEAM)	I SEAT HEIGHT (FLOOR TO FRAME)	J INSIDE SEAT WIDTH	K INSIDE SEAT DEPTH W/ BACK CUSHION	L INSIDE SEAT DEPTH W/O BACK CUSHION	M INSIDE BACK HEIGHT W/ SEAT & BACK CUSHIONS	N INSIDE BACK HEIGHT W/ SEAT CUSHION	O INSIDE BACK HEIGHT W/O SEAT OR BACK CUSHION	P ARM HEIGHT W/ SEAT CUSHION ON SEAT	Q ARM HEIGHT W/O SEAT CUSHION	R ARM WIDTH	T SLEEPER DEPTH OVERALL	U SLEEPER DEPTH INSIDE	S DIAGONAL CLEARANCE	MINIMUM CLEARANCE NEEDED FOR DELIVERY
159" LUXE U-SOFA SECTIONAL	159	120	35	34	20	25	2¾	18	12	141	28	35	14	14	26	5	15	9	-	-	33	33
102" CLASSIC CORNER SECTIONAL	102	101	35	34	20	25	2¾	18	12	84	28	35	14	14	26	5	15	9	-	-	33	33
121" LUXE CORNER SECTIONAL	121	120	35	34	20	25	2¾	18	12	102	28	35	14	14	26	5	15	9	-	-	33	33
132" CLASSIC LEFT-ARM L-SECTIONAL	132	101	35	34	20	25	2¾	18	12	114	28	35	14	14	26	5	15	9	-	-	33	33
154" LUXE LEFT-ARM L-SECTIONAL	154	120	35	34	20	25	2¾	18	12	136	28	35	14	14	26	5	15	9	-	-	33	33
132" CLASSIC RIGHT-ARM L-SECTIONAL	154	101	35	34	20	25	2¾	18	12	114	28	35	14	14	26	5	15	9	-	-	33	33
154" LUXE RIGHT-ARM L-SECTIONAL	154	120	35	34	20	25	2¾	18	12	136	28	35	14	14	26	5	15	9	-	-	33	33

RESTORATION HARDWARE

DIMENSIONS DIAGRAM

See the "Dimensions Sheet" for the measurements that correspond with the letters below.

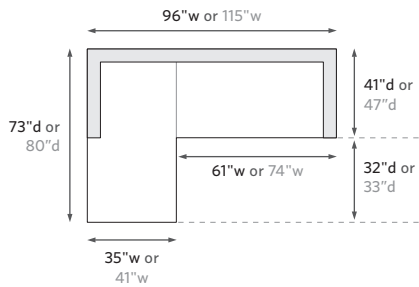


RESTORATION HARDWARE

BELGIAN ROLL ARM COLLECTION

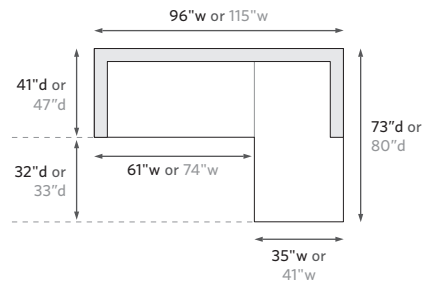
LEFT-ARM SOFA CHAISE SECTIONAL

96" Left-Arm Sofa Chaise: 96"w x 73"d x 35"h Overall
 115" Left-Arm Sofa Chaise: 115"w x 80"d x 35"h Overall



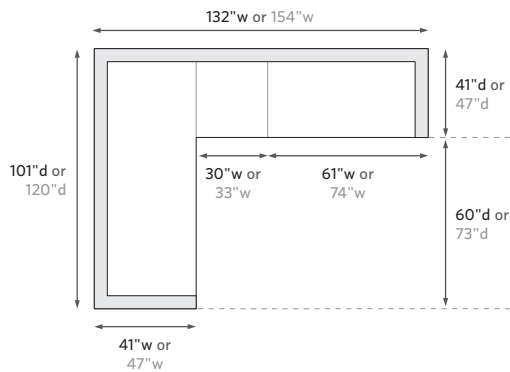
RIGHT-ARM SOFA CHAISE SECTIONAL

96" Right-Arm Sofa Chaise: 96"w x 73"d x 35"h Overall
 115" Right-Arm Sofa Chaise: 115"w x 80"d x 35"h Overall



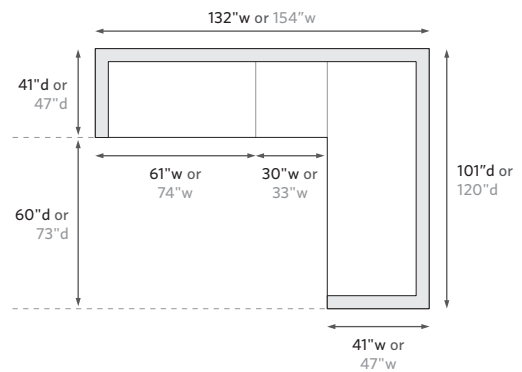
LEFT-ARM L-SECTIONAL

132" Left-Arm L-Sectional: 132"w x 101"d x 35"h Overall
 154" Left-Arm L-Sectional: 154"w x 120"d x 35"h Overall



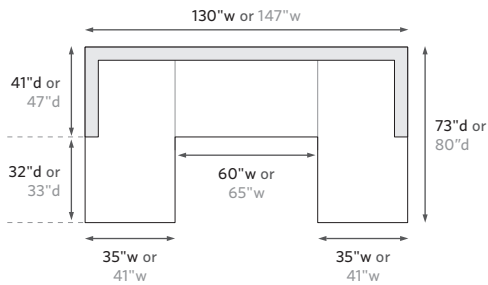
RIGHT-ARM L-SECTIONAL

132" Right-Arm L-Sectional: 132"w x 101"d x 35"h Overall
 154" Right-Arm L-Sectional: 154"w x 120"d x 35"h Overall



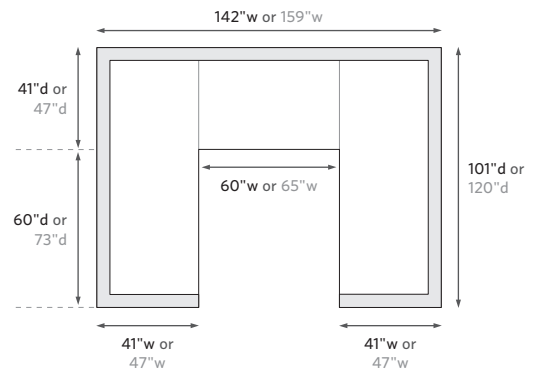
U-CHAISE SECTIONAL

130" U-Chaise Sectional: 130"w x 73"d x 35"h Overall
 147" U-Chaise Sectional: 147"w x 80"d x 35"h Overall



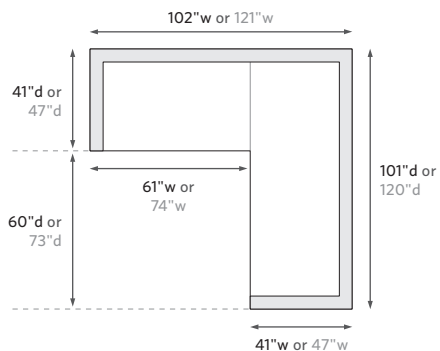
U-SOFA SECTIONAL

142" U-Sofa Sectional: 142"w x 101"d x 35"h Overall
 159" U-Sofa Sectional: 159"w x 120"d x 35"h Overall



CORNER SECTIONAL

102" Corner Sectional: 102"w x 101"d x 35"h Overall
 121" Corner Sectional: 121"w x 120"d x 35"h Overall



*Minimum clearance needed for delivery: 30"

RESTORATION HARDWARE

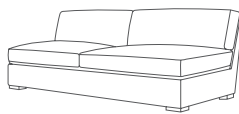
SECTIONALS GUIDE - HOME

SECTIONAL COMPONENTS

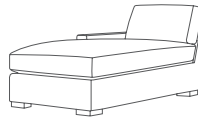
Our sectionals are composed of the following pieces: an “armless” chair or sofa; a “left-arm” chaise, sofa or corner sofa; and/or a “right-arm” chaise, sofa or corner sofa. Each component is named by the position of the arm as you face the piece:



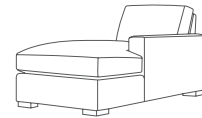
Armless Chair



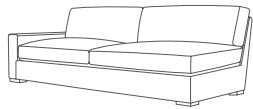
Armless Sofa



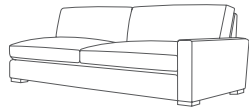
Left-Arm Chaise



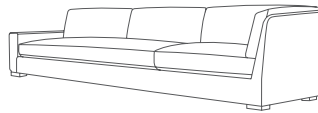
Right-Arm Chaise



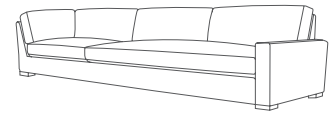
Left-Arm Sofa



Right-Arm Sofa



Left-Arm Corner Sofa*



Right-Arm Corner Sofa*

SECTIONAL SET CONFIGURATIONS

Restoration Hardware Home sectionals are sold as complete sets. As with individual components (see above), sectionals are named by the position of the arm on the identifying piece, as you face the set:



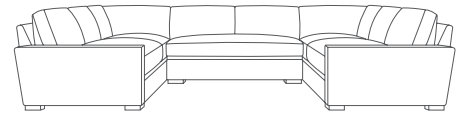
Right-Arm Sofa Chaise Sectional

Consists of (L to R):
1 Left-Arm Sofa and 1 Right-Arm Chaise
Left-Arm Sofa Chaise Sectional also available



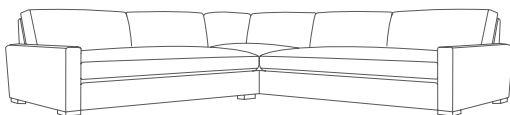
U-Chaise Sectional*

Consists of (L to R):
1 Left-Arm Chaise, 1 Armless Sofa
and 1 Right-Arm Chaise



U-Sofa Sectional*

Consists of (L to R):
1 Left-Arm Corner Sofa, 1 Armless Sofa
and 1 Right-Arm Corner Sofa



Corner Sectional*

Consists of (L to R):
1 Left-Arm Sofa and 1 Right-Arm Corner Sofa



Right-Arm L-Sectional*

Consists of (L to R):
1 Left-Arm Sofa, 1 Armless Chair and 1 Right-Arm Corner Sofa
Left-Arm L-Sectional also available

**May not be applicable to all collections.*

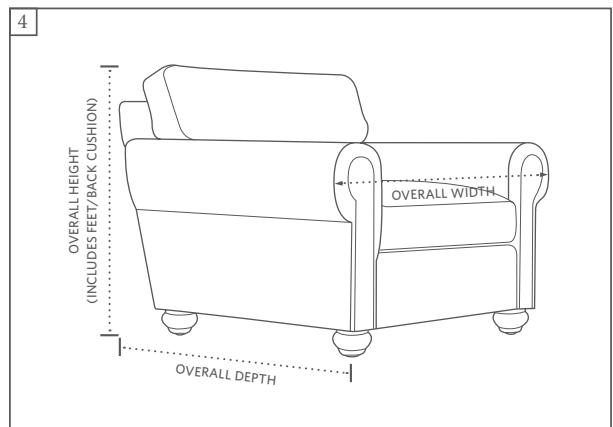
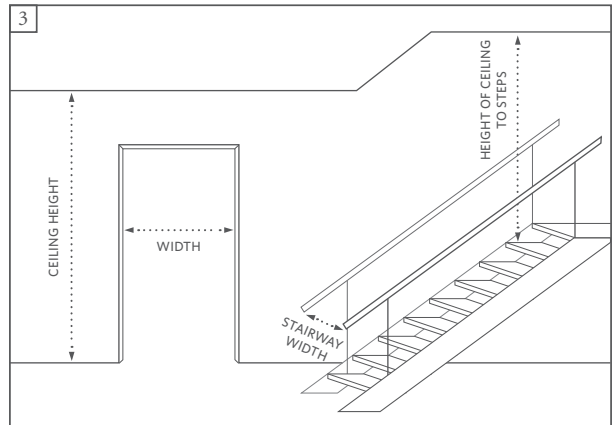
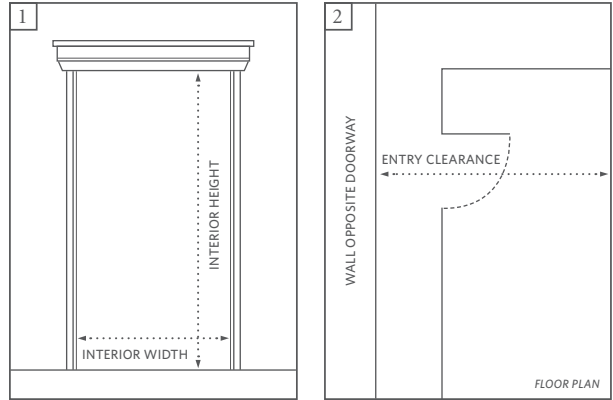
For Restoration Hardware Outdoor & Garden sectionals, please visit restorationhardware.com or contact a store or customer service associate.

RESTORATION HARDWARE

MEASURING FURNITURE FOR DELIVERY

Before purchasing any furniture, it's important to ensure it can fit through all the entryways, elevators and stairways of your home. Follow these steps to ensure efficient delivery and avoid returns.

- Determine the best pathway from outside your home to the room where the new item will be placed.
- Make sure all access points are unobstructed and wide enough for the desired item.
- Measure the heights and widths of all entryways, including all stairways and hallways, both inside and outside your home (see 1).
- Measure the interior widths, depths and heights of all elevator doors to be used for delivery.
- Measure your entry clearance - the distance from the wall through the doorway to the opposite wall (see 2).
- Factor in all corners, ceiling height, stairways (heights, widths, angles, bannisters), and low hanging fixtures. Also account for any architectural details (see 3).
- Compare your measurements from above to the item's "minimum clearance" measurement online.
- To ensure successful delivery, the item's minimum clearance measurement must not exceed the height or width of any of the entryways (elevators and stairways included) to be used for delivery.
- Note that the furniture measurements we provide reflect overall dimensions, and overhangs, angles and outward curves will be included (see 4).



☒ Unlimited Furniture Delivery at a low flat rate based on delivery area. See a store associate or our website for details.

At Restoration Hardware, we take pride in the exceptional quality and craftsmanship of our furniture. Our attention to detail in design, material and construction is unyielding. And so is our commitment to customer satisfaction.

We carefully inspect each furniture item prior to shipment, and also require your inspection and signature upon delivery. Should you discover a defect in your furniture, however, please contact us at 800.910.9836 immediately. Furniture that is refused because it does not fit through an entryway will be refunded in merchandise or store credit only. Visit restorationhardware.com for more information on returns.

Please call Customer Service at 800.910.9836 with any questions you may have.