

# BALANCED-PRESSURE

## SHOWER SYSTEMS

### BALANCED-PRESSURE VALVES FEATURES & BENEFITS

- Solid brass components.
- Balanced-pressure feature ensures a constant temperature despite changes in water pressure.
- Five gallons/minute flow rate, sufficient to operate 1 water outlet at a time.
- Includes all attendant trim to coordinate with select bath fittings collections.

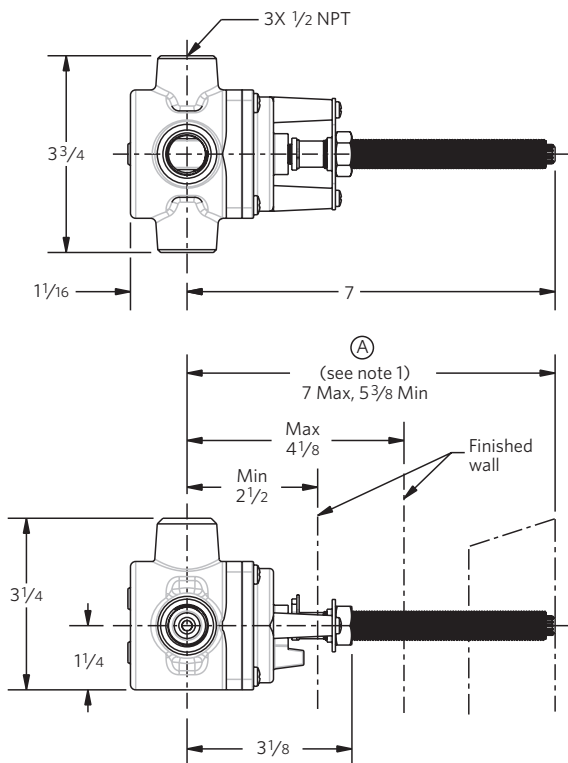
#### Other Components (sold separately):

- Multi-Port Diverter Valve & Trim Set
  - Directs water to flow to 1 of up to 3 water outlets.
  - Does not support more than 1 outlet running at a time.

### VALVE SPECS

#### NOTES:

1. Cut stem to dimension "A"  
Cut all - thread 1/2" shorter than stem



### SHOWER ONLY

#### PARTS REQUIRED

- BP Shower Valve & Trim Set
- Showerhead, flange & arm



### TUB & SHOWER ONLY

#### PARTS REQUIRED

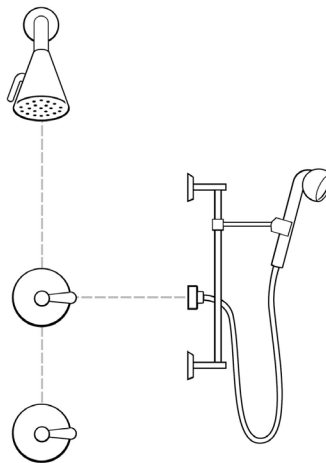
- BP Tub & Shower Valve & Trim Set
- Showerhead, flange & arm



### SHOWER & HANDHELD SHOWER

#### PARTS REQUIRED

- BP Shower Valve & Trim Set
- Showerhead, flange & arm
- Handheld shower
- Multi-Port Diverter Valve & Trim Set



### TUB & SHOWER WITH HANDHELD SHOWER

#### PARTS REQUIRED

- BP Tub & Shower Valve & Trim Set
- Showerhead, flange & arm
- Handheld shower
- Multi-Port Diverter Valve & Trim Set

