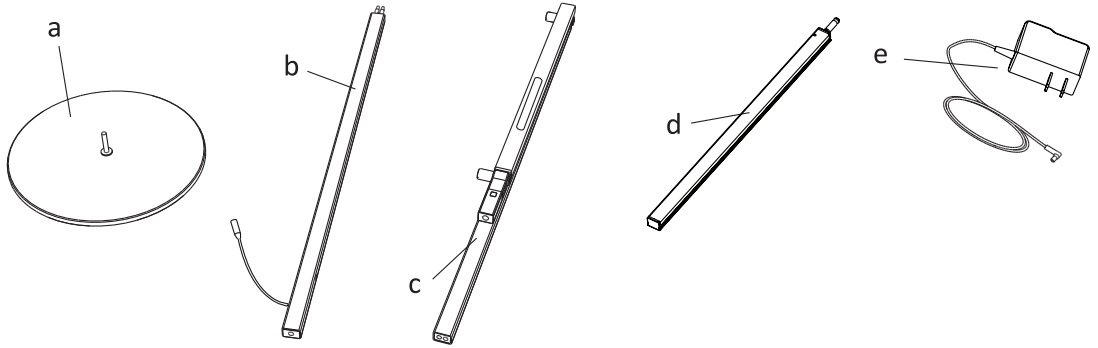


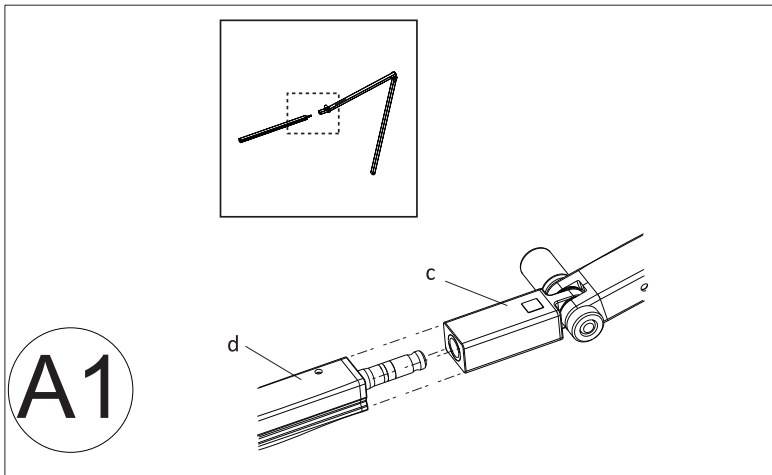
Z-BAR FLOOR LAMP

PARTS ENCLOSED

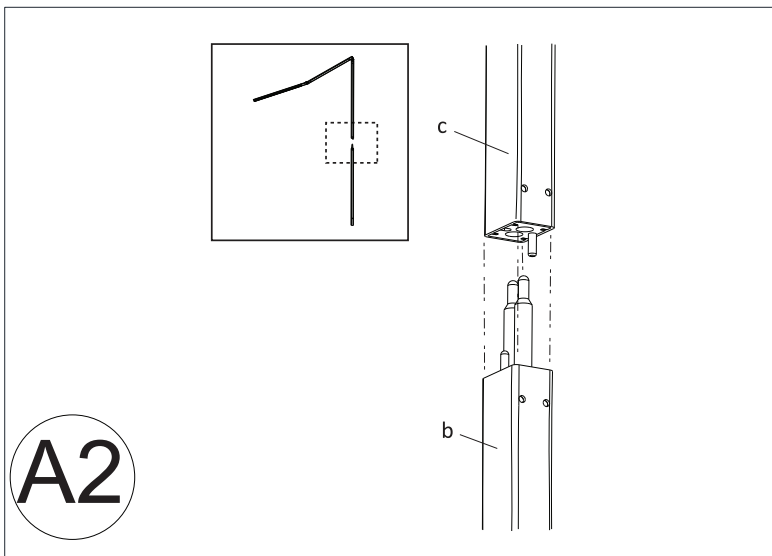
- (A) Floor base
- (B) Lower body
- (C) Upper body
- (D) LED head
- (E) Transformer



ASSEMBLY

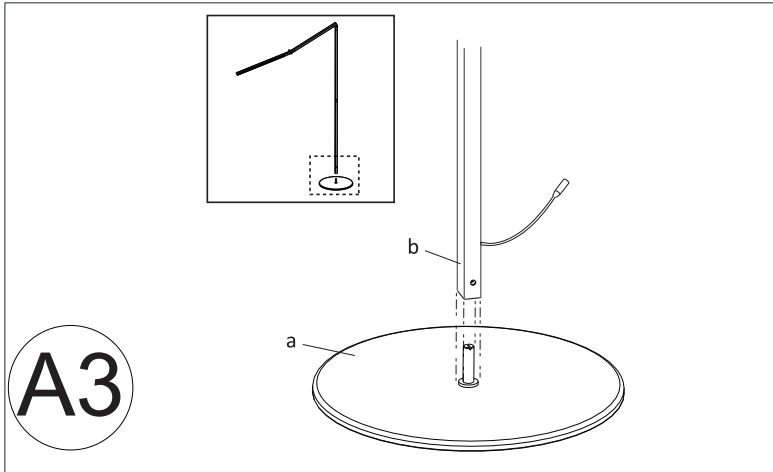


1. Push down part C into part D until they click into place.

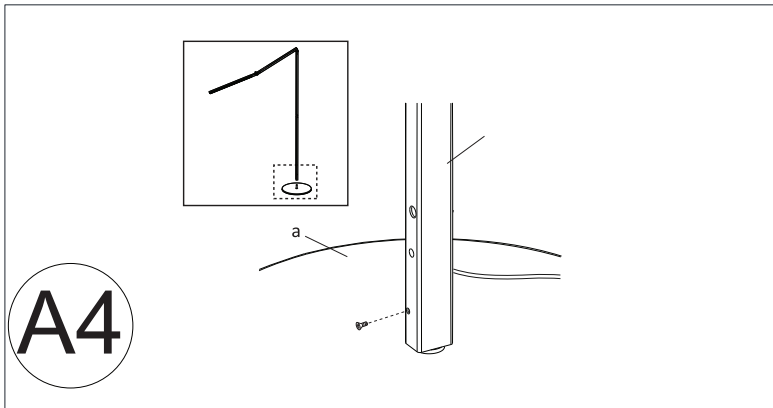


2. Push down part C into part B until they click into place.

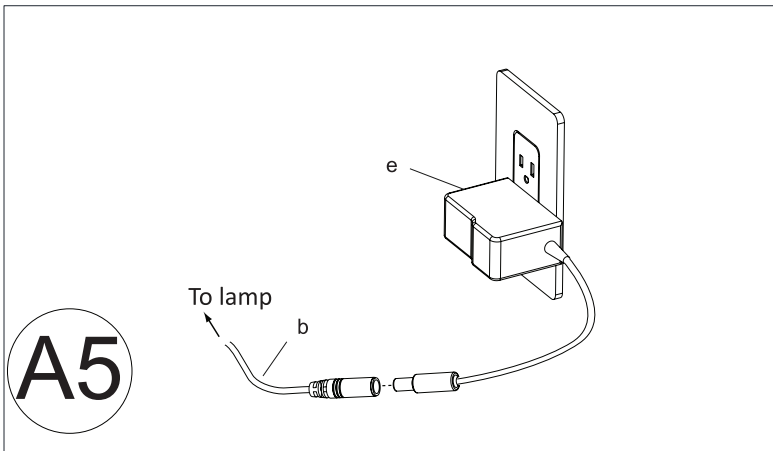
Z-BAR FLOOR LAMP



3. Push down part B into the base (A) until they click into place.

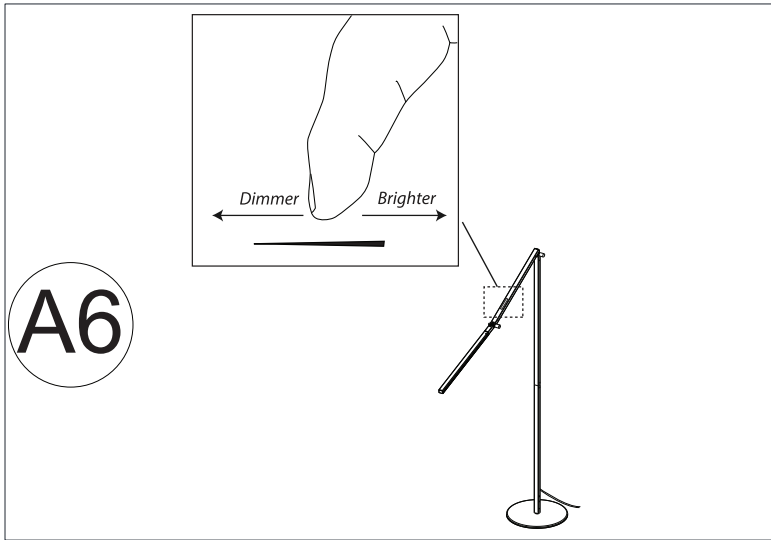


4. Insert the provided screw to secure the lower body to the base.



5. Plug the transformer cord into the upper body cord (B) and plug the transformer into your outlet.

Z-BAR FLOOR LAMP



6. Use the touchstrip to control brightness and power

IMPORTANT SAFETY INSTRUCTIONS

To reduce the risk of fire, electric shock or injury:

- Do not use outdoors or near water
- Do not handle plug or appliance with wet hands
- Do not stare directly at the LEDs

WARNINGS

Do not use an external dimmer with this lamp. Doing so may cause damage to the product.

Overheating may result in reduced LED lifespan. To avoid overheating:

- Keep out of direct sunlight
- Remove plastic bag from lamp before use

Recommended ambient temperature: under 77° F

TROUBLESHOOTING

If the lamp does not turn on, unplug the lamp and ensure all parts are fully inserted into each other and all connections are flush. Plug the lamp back into the power supply and turn on. If problem persists, please email support@koncept.com with your issue.