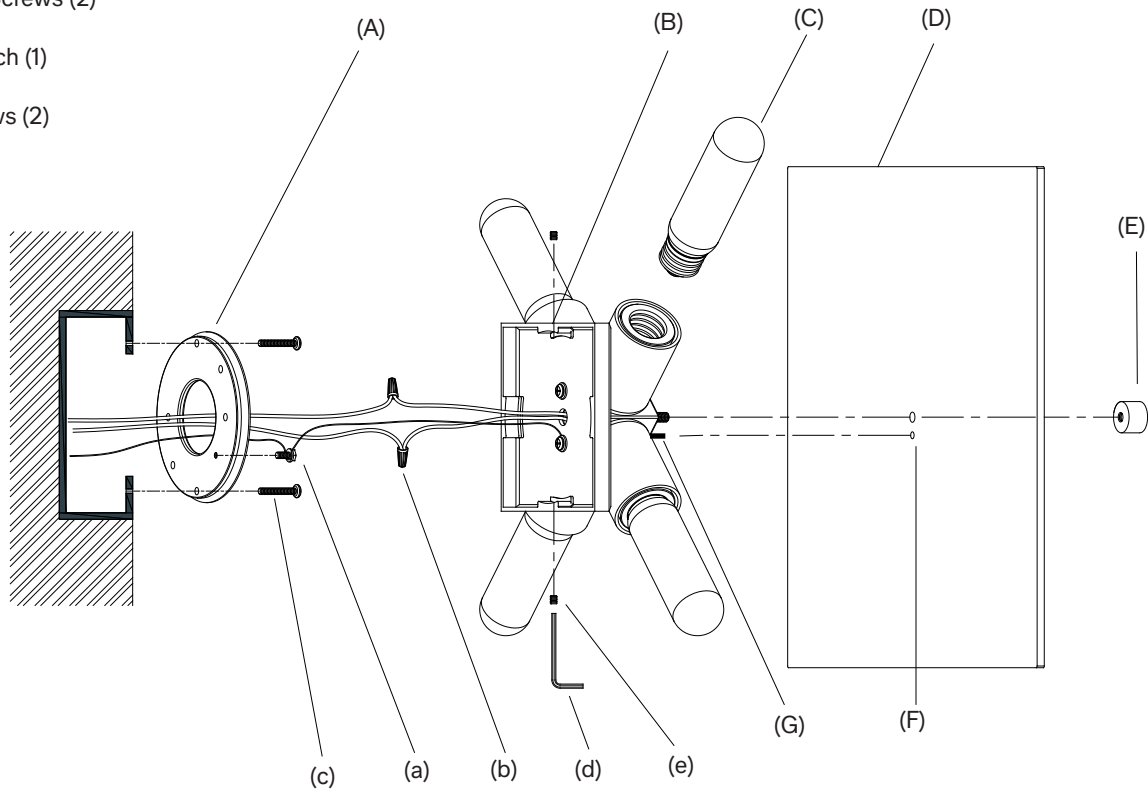


### PARTS ENCLOSED

- (A) Mounting Plate (1)
- (B) Back Plate (1)
- (C) Bulbs (4)
- (D) Diffuser (1)
- (E) Finial (1)
- (F) Pin Hole (1)
- (G) Locating Pin (1)

### HARDWARE INCLUDED

- (a) Green Ground Screw (1)
- (b) Plastic Wire Connectors (3)
- (c) Mounting Screws (2)
- (d) Allen Wrench (1)
- (e) Plate Screws (2)



**IMPORTANT SAFETY INSTRUCTIONS**

INSTALLATION BY A LICENSED ELECTRICIAN IS STRONGLY RECOMMENDED.

This fixture has been rated for up to four (4) 40-watt-maximum Type T bulbs or 4-watt-maximum LED bulbs. To avoid the risk of fire, do not exceed the recommended wattage. When checking the circuit connection, you need to remove the diffusers first.

**WARNINGS**

All wires are connected. When unpacking, be careful not to pull wires, as a bad connection may result. Do not connect electricity until your fixture is fully assembled. To reduce the risk of fire, electrical shock, or personal injury, always turn off fixture and allow it to cool prior to replacing the lightbulbs. Do not touch or look directly at the bulb when fixture is illuminated. Keep flammable materials away from lit bulbs.

THIS PRODUCT IS NOT A TOY AND HAS NO PLAY VALUE.

**WARNING: STRANGULATION HAZARD**

Keep cord at least 3 feet away from cribs, bassinets, and toddler beds. Keep out of reach of children under 3 years of age.

**ASSEMBL & INSTALLATION**

SHUT OFF THE MAIN ELECTRICAL SUPPLY FROM THE FUSE BOX OR CIRCUIT BREAKER PANEL.

1. Carefully remove all parts from the box and remove all plastic coverings.
2. Attach the ground wire from the fixture to the ground junction box wire from the outlet box (usually green or bare wire). Or wrap the fixture's ground wire around the Green Ground Screw (a) and affix the green ground screw to the Mounting Plate (A).
3. Connect the hot wire to the hot junction box wire (usually black or smooth) with a Plastic Wire Connector (b) and wrap the connection with electrical tape. Connect the neutral wire to the neutral junction box wire (usually white or ribbed) with a Plastic Wire Connector (b) and wrap the connection with electrical tape.
4. Attach the Mounting Plate (A) to the outlet box using the Mounting Screws (c). Tighten with a screwdriver.

5. Attach the Back Plate (B) to the Mounting Plate (A) using the Allen Wrench (d) and Plate Screws (e).
6. Insert the Bulbs (C) into the threaded sockets.
7. Attach the Diffuser (D) to the Back Plate (B) using the Finial (E). and ensure the Pin Hole (F) to cover the Locating Pin (G).
8. Restore power to the junction box and test the light by turning it on.
9. Installation is complete.

**CARE INSTRUCTIONS**

Do not use polishes or cleaners on the fixture. Wipe clean with a soft, dry cloth.