

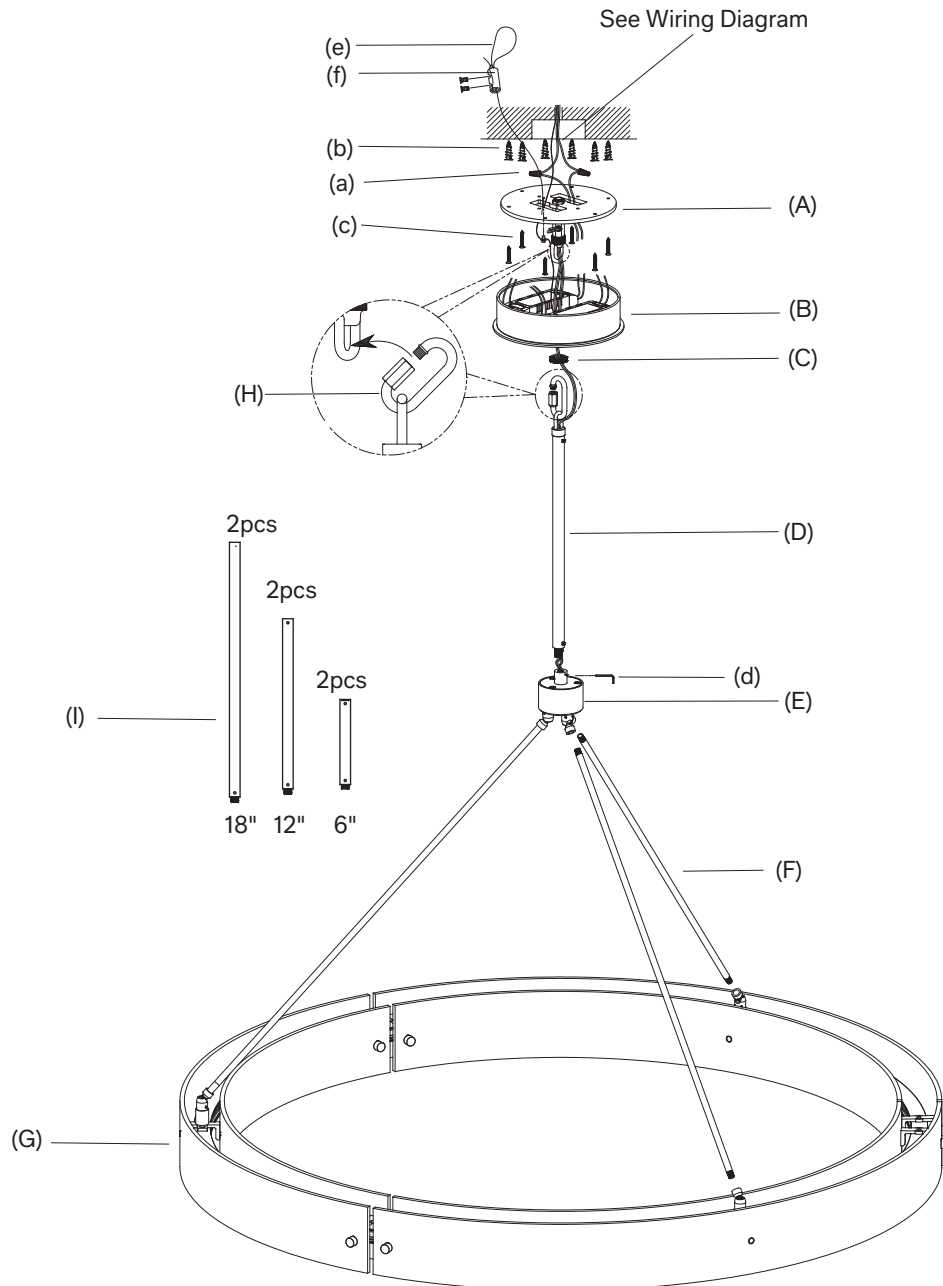
## VOUVRAY ROUND CHANDELIER 48"

### PARTS ENCLOSED

- (A) Mounting Plate (1)
- (B) Canopy (1)
- (C) Ring (1)
- (D) Tube (1)
- (E) Center Box (1)
- (F) Rods (3)
- (G) Frame (1)
- (H) Link (1)
- (I) Extension Tubes (6)

### HARDWARE INCLUDED

- (a) Plastic Wire Connectors (7)
- (b) Toggles (6)
- (c) Screws (6)
- (d) Allen Wrench (1)
- (e) Safety Cable (1)
- (f) Lock (1)
- (g) Green Ground Screw (1)



**IMPORTANT SAFETY INSTRUCTIONS**

Use an authorized and certified electrician for consultation and installation. Electrician must be familiar with commercial-type applications of very heavy chandeliers.

The ceiling must have at least the capacity of 5 times the weight of the chandelier. For this fixture, a ceiling capacity of at least 876 lb.(398 kg) is required.

Because this chandelier is very heavy, it will require at least four people or a lifter to install.

**WARNINGS**

All wires are connected. When unpacking, be careful not to pull wires, as a bad connection may result. Do not connect electricity until your fixture is fully assembled. Do not touch or look directly at the LED strip when fixture is illuminated. Keep flammable materials away from lit LED strip.

THIS PRODUCT IS NOT A TOY AND HAS NO PLAY VALUE.

**WARNING: STRANGULATION HAZARD**

Keep cord at least 3 feet away from cribs, bassinets, and toddler beds. Keep out of reach of children under 3 years of age.

**ASSEMBLY & INSTALLATION**

SHUT OFF THE MAIN ELECTRICAL SUPPLY FROM THE FUSE BOX OR CIRCUIT BREAKER PANEL.

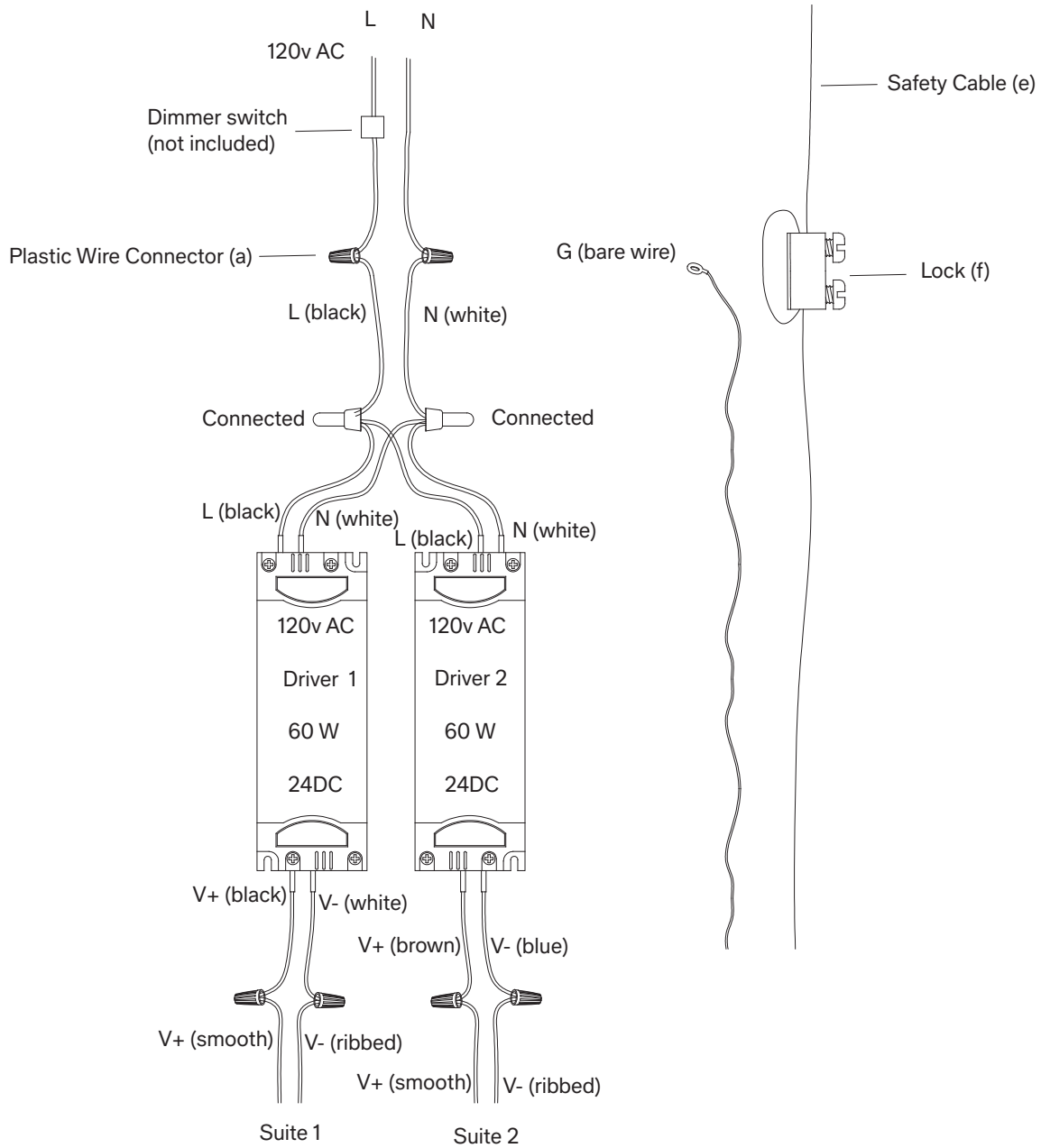
1. Carefully remove all parts from the box and remove all plastic coverings.
2. Screw the Rods (F) into the Frame (G) and the Center Box (E) and fully tighten.
3. Put the Tube (D) onto the Center Box (E) and turn clockwise until the Tube (D) fully screws into the Center Box (E). Secure the Tube (D) using Allen Wrench (d) provided. If needed, the Extension Tube (I) can be attached.
4. Mark the location of the mounting holes on the ceiling using a pencil. Then using the marks as a guide, drill holes for the Toggles (b). Fully screw the Toggles (b) into the ceiling until flush with the ceiling with a screwdriver.

5. Attach the Safety Cable (e) to an appropriate load-bearing structure on the ceiling with the Lock (f). This luminaire must be mounted or supported independently of an outlet box. Do not attach the safety cable on the outlet box.
6. Screw the ground wire from the fixture onto the Mounting Plate (A) with the Green Ground Screw (g) and fully tighten with a screwdriver. Or cut the metal washer at the end of the ground wire and attach the ground wire from the fixture to the ground junction box wire from the outlet box (usually green or bare wire) with a Plastic Wire Connector (b) and wrap the connection with electrical tape.
7. Refer to the wiring diagram on following page for accurate wire connections. Cut out the redundant wires after the professional installation. Keep proper ventilation around the driver, and do not stack any objects on it.
8. Fasten Mounting Plate (A) onto the ceiling using the Screws (c). Fully tighten the Screws (c) into the Toggles (b) with a screwdriver.
9. Connect the mounting plate loops and the tube loop using the Link (H). Fully tighten with the link nuts.
10. Attach the Canopy (B) to the Mounting Plate (A) using the Ring (c) and fully tighten.
11. Restore power to the junction box and test fixture. Installation is complete.

**CARE INSTRUCTIONS**

Do not use polishes or cleaners on the fixture. Wipe clean with a soft, dry cloth.

### Wiring Diagram



Two suite wires and safety cable are from the mounting plate

**Note :**

1. THESE DRIVERS ARE DESIGNED TO BE INSTALLED WITH THE DIMMER. USE RECOMMENDED LUTRON DIMMER SWITCH: SKYLARK S-600, S600P, SF-10P, SF-12P-277, CREDENZA TT300, DVF-103P-277.
2. Connect above wires with the Plastic Wire Connectors (a) and wrap the connection with electrical tape.
3. DO NOT test or install with an ON/OFF switch and/or without an attached load.