

INSTALLATION INSTRUCTIONS
SHOWERHEAD MODEL NO.
10038403 (RH-2158)
10038401 (RH-2159)
10100345 (TRRH-2158)



We recommend installation of this product by a professional plumbing contractor.

Note: Regarding fittings, the use of petroleum-based plumber's putty on our products will nullify the warranty. We recommend the use of clear silicone sealing materials as outlined by the manufacturer.

To avoid damage to trim, all mating surfaces (tile, paint, etc.) should be finished prior to trim installation.

Shower Head Installation:

1. Apply thread sealant to inlet end of NIPPLE (1a) and thread into FITTING (2) behind finished wall.
2. Apply a small bead of clear silicone to backside of FLANGE (4) and slide over NIPPLE (1) and position flushed against finished wall.
3. Apply thread sealant to outlet end of NIPPLE (1b) and attach SHOWER HEAD (3).

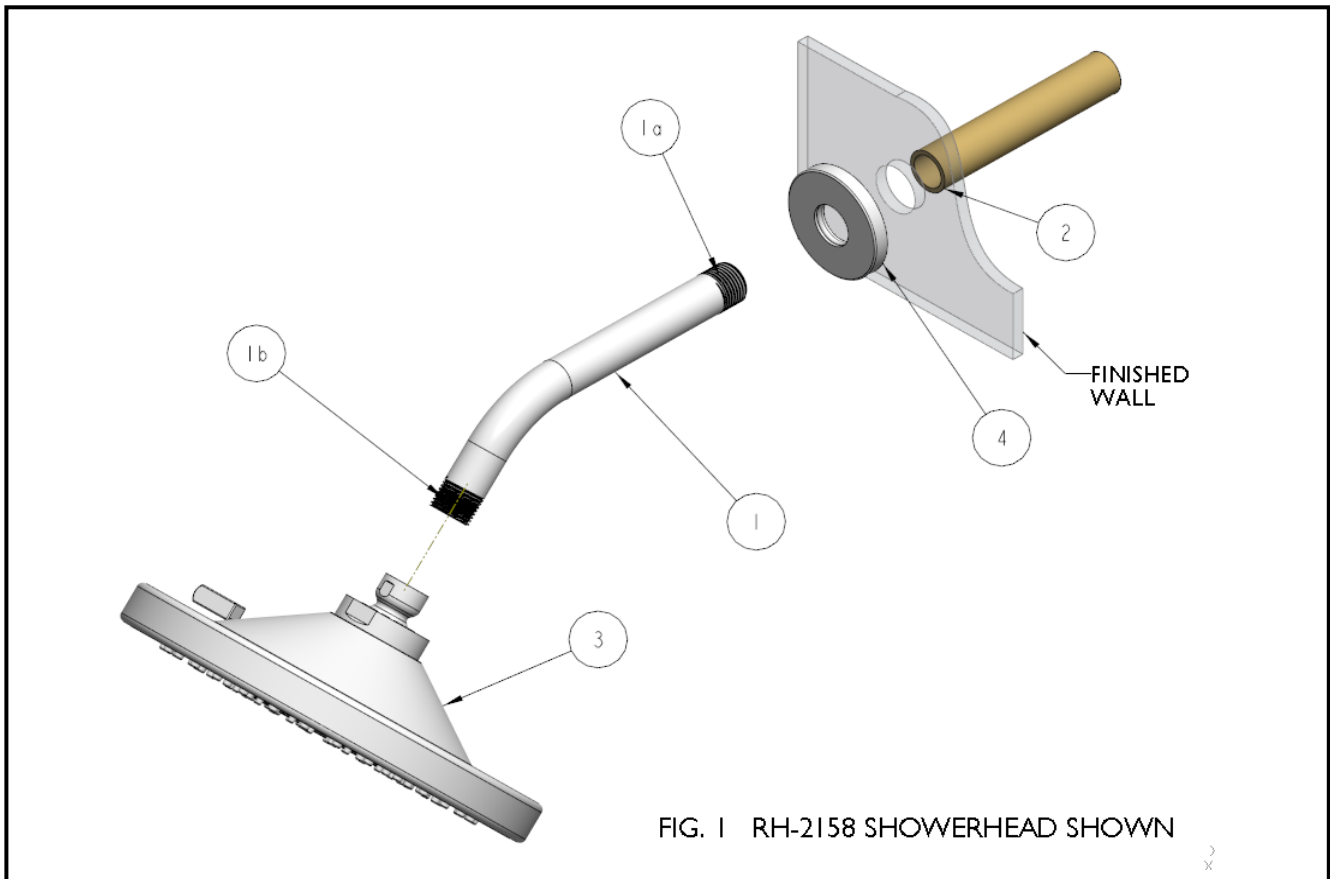


FIG. 1 RH-2158 SHOWERHEAD SHOWN