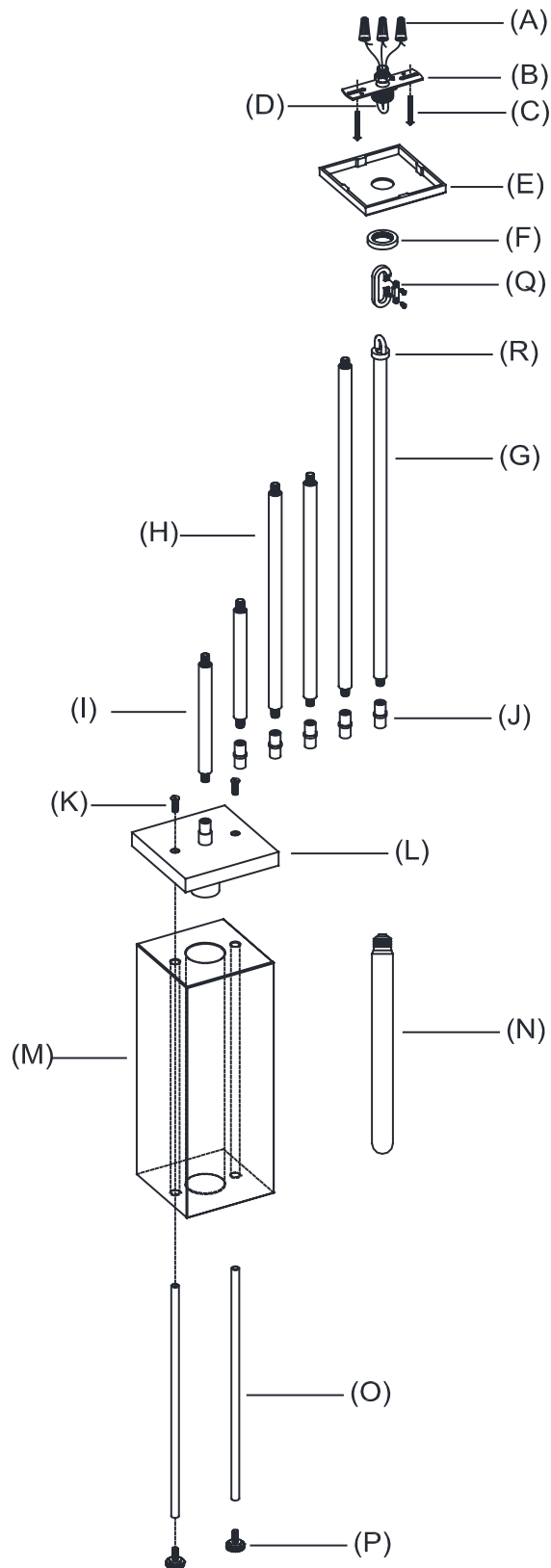


## SAVILE SQUARE PENDANT 14"

### PARTS ENCLOSED

- (A) Wire Nuts (3)
- (B) Mounting Plate (1)
- (C) Mounting Screws (2)
- (D) Mounting Loop (1)
- (E) Canopy (1)
- (F) Canopy Ring (1)
- (G) Connection Rods, 18" (2)
- (H) Connection Rods, 12" (2)
- (I) Connection Rods, 6" (2)
- (J) Connectors (5)
- (K) Screws (2)
- (L) Cap (1)
- (M) Shade (1)
- (N) Bulb (1)
- (O) Rods (2)
- (P) Thumbscrews (2)
- (Q) End Link (1)
- (R) Hanging Loop (1)



## SAVILE SQUARE PENDANT 14"

**IMPORTANT SAFETY INSTRUCTIONS**

INSTALLATION BY A LICENSED ELECTRICIAN IS STRONGLY RECOMMENDED.

This fixture has been rated for one (1) 60-watt-maximum type T lightbulb or one (1) 13-watt compact fluorescent lightbulb. To avoid the risk of fire, do not exceed the recommended wattage.

**WARNINGS**

All wires are connected. When unpacking, be careful not to pull wires, as a bad connection may result. Do not connect electricity until your fixture is fully assembled. To reduce the risk of fire, electrical shock, or personal injury, always turn off fixture and allow it to cool prior to replacing the lightbulb. Do not touch or look directly at the bulb when fixture is illuminated. Keep flammable materials away from lit bulb.

**THIS PRODUCT IS NOT A TOY AND HAS NO PLAY VALUE.**

**WARNING: STRANGULATION HAZARD**

Keep cord at least 3 feet away from cribs, bassinets, and toddler beds. Keep out of reach of children under 3 years of age.

**ASSEMBLY & INSTALLATION**

SHUT OFF THE MAIN ELECTRICAL SUPPLY FROM THE FUSE BOX OR CIRCUIT BREAKER PANEL.

1. Carefully remove all parts from the box and remove all plastic coverings.
2. Install Mounting Plate (B) to the ceiling outlet box and secure with Mounting Screws (C).
3. Install Canopy (E) to Mounting Loop (D) and secure with Canopy Ring (F).
4. Feed the wires through Connection Rods (G) (H) (I) needed for desired height. Screw Connection Rods (G) (H) (I) and Connectors (J) into Cap (L).
5. Unscrew End Link (Q). Join Hanging Loop (R) to Mounting Plate (D) using End Link (Q).
6. Unscrew Canopy Ring (F). Slide Canopy Ring (F) and Canopy (E) onto Connection Rods (G) (H) (I) carefully.

**ASSEMBLY & INSTALLATION CONT.**

7. Wrap the fixture ground wire (bare copper) around the green grounding screw and tighten. Continue feeding the fixture ground wire through the rod and connect to supply ground wire (usually green or bare copper) using a Wire Nut (A). NOTE: It is imperative that the fixture is grounded.
8. Connect fixture neutral wire (ribbed) to the supply neutral wire (usually white) using a Wire Nut (A).
9. Connect fixture hot wire (smooth with markings) to the supply hot wire (usually black) using a Wire Nut (A). CAUTION: Do not reverse the hot and neutral connections.
10. Make sure all wire connections are tight, then carefully tuck into the junction box.
11. Install Canopy (E) to Mounting Plate (B) and secure with Canopy Ring (F).
12. Insert Bulb (N) into the socket.
13. Install Shade (M) to Cap (L) by aligning the holes, then inserting Rods (O) in the holes and securing with Screws (K) and Thumbscrews (P).
14. Restore power to outlet box and check operation of fixture.
15. Assembly is complete.

**CARE INSTRUCTIONS**

Do not use polishes or cleaners on the fixture. Wipe clean with a soft, dry cloth.