

RH

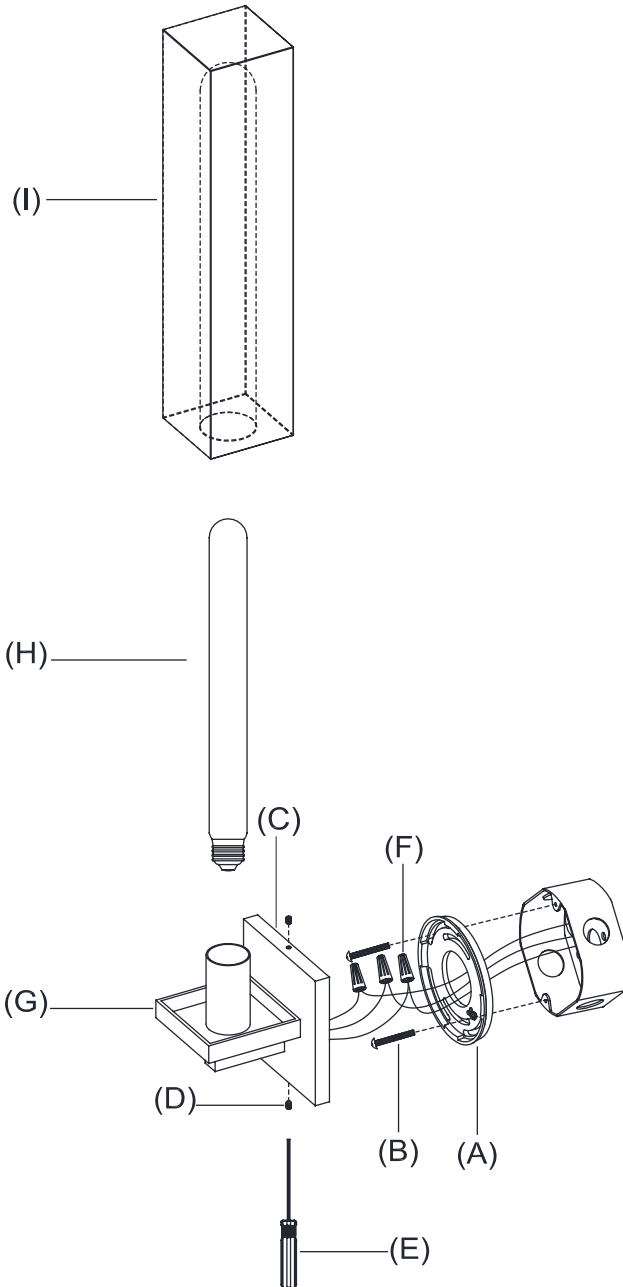
SAVILE RECTANGULAR SCONCE

ASSEMBLY & INSTALLATION INSTRUCTIONS  
ENGLISH

SAVILE RECTANGULAR SCONCE

PARTS INCLUDED

- (A) Mounting Plate (1)
- (B) Mounting Screws (2)
- (C) Fixture Base (1)
- (D) Set Screws (2)
- (E) Screwdriver (1)
- (F) Wire Nuts (3)
- (G) Lamp Body (1)
- (H) Bulb (1)
- (I) Crystal Shade (1)



**IMPORTANT: PLEASE READ**

PLEASE FOLLOW THE ASSEMBLY INSTRUCTIONS CLOSELY. IMPROPER ASSEMBLY OR INSTALLATION CAN RESULT IN PERSONAL OR PROPERTY DAMAGE. MOUNTING HARDWARE HAS BEEN PROVIDED FOR MOUNTING DIRECTLY TO A JUNCTION BOX. UNIQUE, OR ALTERNATIVE, INSTALLATION TYPES MAY REQUIRE DIFFERENT MOUNTING HARDWARE, WHICH HAS NOT BEEN INCLUDED. ALWAYS CONSULT WITH A LICENSED ELECTRICIAN BEFORE INSTALLATION.

INSTALLATION BY A LICENSED ELECTRICIAN IS STRONGLY RECOMMENDED.

**IMPORTANT SAFETY FEATURES****BULBS**

This fixture has been rated for up to one (1) 40-watt maximum Type T incandescent lightbulb or one (1) 9-watt maximum compact fluorescent lightbulb or one (1) 5.5-watt LED lightbulb. To avoid the risk of fire, do not exceed the recommended wattage.

**VAULTED-CEILING COMPATIBILITY**

This fixture is vaulted-ceiling compatible up to a maximum ceiling slope of 20 degrees.

**DIMMER-SWITCH COMPATIBILITY**

This fixture is dimmer-switch compatible and may only be used with a forward-phase dimmer switch.

**WARNINGS**

All wires are connected. When unpacking, be careful not to pull wires, as damage may result. Do not connect electricity until the fixture is fully assembled. To reduce the risk of fire, electrical shock, or personal injury, always turn off fixture and allow it to cool prior to replacing the lightbulb. Do not touch or look directly at the bulb when fixture is illuminated. Keep flammable materials away from lit bulb.



**WARNING:** This product can expose you to lead, which is known to the State of California to cause cancer and birth defects or other reproductive harm. For more information, go to [www.P65Warnings.ca.gov](http://www.P65Warnings.ca.gov).

**WARNING: STRANGULATION HAZARD**

Keep cord at least 3 feet away from cribs, bassinets, and toddler beds. Keep out of reach of children under 3 years of age.

THIS PRODUCT IS NOT A TOY AND HAS NO PLAY VALUE.

**ASSEMBLY AND INSTALLATION****SHUT OFF THE MAIN ELECTRICAL SUPPLY FROM THE FUSE BOX OR CIRCUIT BREAKER PANEL.**

1. Carefully remove all parts from the box and remove all plastic coverings.
2. Remove Mounting Plate (A) from Fixture Base (C) by loosening Set Screws (D) using Screwdriver (E).
3. Install Mounting Plate (A) onto the wall outlet box and secure with Mounting Screws (B).
4. Gently pull the wires from wall outlet box and allow the wires to hang. Thread the wires through the center hole in Mounting Plate (A).
5. Wrap fixture ground wire (bare copper) around the green grounding screw and tighten. Continue feeding fixture ground wire and connect to supply ground wire (usually green or bare copper) using a Wire Nut (F). **NOTE: IT IS IMPERATIVE THAT THE FIXTURE IS PROPERLY GROUNDED.**
6. Connect fixture neutral wire (white) to the supply neutral wire (usually white) using a Wire Nut (F).
7. Connect fixture hot wire (black) to the supply hot wire (usually black) using a Wire Nut (F). **CAUTION: DO NOT REVERSE THE HOT AND NEUTRAL CONNECTIONS.**
8. Make sure all wire connections are tight, then carefully tuck them into the junction box.
9. Attach Fixture Base (C) to Mounting Plate (A) and secure with Set Screws (D) using Screwdriver (E).
10. Insert Bulb (H) into the socket.
11. Install Crystal Shade (I) on Lamp Body (G).
12. Turn on power at fuse or circuit breaker to test fixture.
13. Assembly is complete.

**CARE INSTRUCTIONS**

Do not use polishes or cleaners on the fixture.

Wipe clean with a soft, dry cloth.