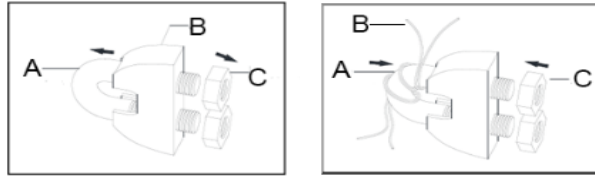


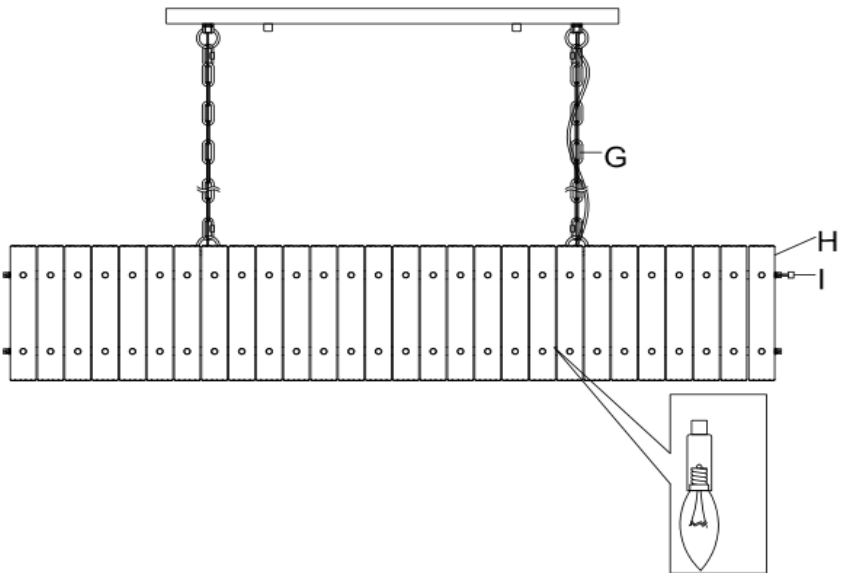
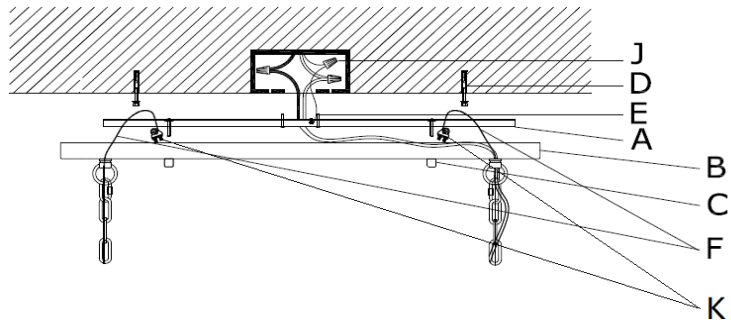
**PARTS ENCLOSED:**

- (A) CEILING BRACKET (1)
- (B) CEILING CANOPY (1)
- (C) RETAINING NUTS (2)
- (D) BOLTS (4)
- (E) SCREWS (2)
- (F) SAFETY CABLES (2)
- (G) CHAIN (2)
- (H) 10.4" GLASS (70)
- (I) NUTS (140)
- (J) WIRE CAPS (3)
- (K) CABLE LOCK NUTS (2)
- (L) BULBS (10)
- (M) HEXAGON WRENCH (1)
- (H) SPARE GLASS (5)
- (I) SPARE NUTS (5)

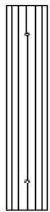


**Install safety cable:**

1. Remove Hex Nut (C) from Cable Lock Nut (A) and pull Cable Lock Nut (A) from Safety Cable (B).
2. Wrap the safety cable (B) around the cable lock nut.
3. Secure by tightening both hex nuts (C) until tight.



GLASS-H





## SAN MARCO LINEAR CHANDELIER 54"

### IMPORTANT SAFETY INSTRUCTION:

**(1) Use an authorized and certified electrician for consultation and installation. The electrician must be familiar with commercial-type application of every ceiling lamp and the hazards involved. The electrician should install it as per the applicable installation code.**

(2) This fixture has been rated for 10x40-watt maximum E12, type B bulb.

(3) To avoid the risk of fire, do not exceed the recommended wattage.

**(4) The ceiling must have the load bearing capacity of at least 5 times the weight of the ceiling light. For this light, the ceiling should have a load bearing capacity of 266lbs, at least.**

(5) This fixture is vaulted-ceiling compatible, up to a maximum ceiling slope of 30 degrees

(6) The manufacturer and distributor accept no liability for incorrect installation.

(7) For indoor use only.

(8) Keep away from children.

### WARNINGS:

(1) Turn-off electricity supply at main circuit panel before installing. Do not connect electricity supply until your wall lamp is fully assembled and installed.

(2) All wires are connected. Do not remove the pendant lamp from its packaging by pulling on the power cord, as a bad connection may result.

(3) To reduce the risk of fire, electrical shock, or personal injury, always turn off the light and allow it to cool prior to replacing light bulb. Do not touch the bulbs when the fixture is turned on or look directly at the light bulbs. Keep flammable materials away from the light bulbs.

(4) Deviation from instruction may result in a risk of fire or electric shock.

### THIS IS NOT A TOY. THE PRODUCT HAS NO PLAY VALUE.

### ASSEMBLY & INSTALLATION:

(1) Carefully remove the parts from the carton and place them on a flat surface. Please make sure that you have all the parts indicated before you begin to assemble this item.

(2) Determine the hanging length of chandelier. Connect the chain (G) according to the height needed.

### ASSEMBLY & INSTALLATION CONT.

(3) Remove ceiling bracket (A) from ceiling canopy (B) by unscrewing retaining nut (C).

(4) Take ceiling bracket (A) to mark the hanging position in advance, use a pencil to make a symbol on the ceiling. Then, drill 4 holes in the ceiling, the depth of the holes should match the length of the bolts. Then take off the nuts which connect to the bolts and install 4pcs bolts (D) into the ceiling (not including the nut).

(5) Affix the safety cable (F) to the ceiling with the wire lock. Thread 2 safety cables (F) through the ceiling bracket, wrap around the ceiling plate twice, then use the wire lock (K) from the accessory pack to tighten it.

(6) Fasten the ceiling bracket (A) onto the outlet box by using the screws (E) which have been taken off the bolts (D).

(7) Thread the wires through difference rings of the chain from bottom to top 5 times, then through component (suspension eye), Ceiling canopy (B) . Use the wiring cap (J) to connect the SVT-B wire to the power wire on the ceiling. The black wire is live wire, connect it to the black (positive) wire. The white wire is neutral wire, connect it to the white (neutral) wire. Green/yellow wire is the ground wire, connect it to the other ground wire. Then secure wrapping with insulated rubber tape (not included).

(8) Take the ceiling canopy (B) and match it to the hole of the ceiling bracket, then use the retaining nuts (C) to tighten it and attach it to the ceiling.

(9) Check whether the connection is sufficiently strong. Carefully lower the lamp until the chains are taut.

(10) Install 10pcs 40-Watt maximum Type B Candelabra incandescent light bulb (L) into the socket of the fixture. DO NOT EXCEED THE SPECIFIED WATTAGE.

(11) Remove the nuts (I) from the lamp frame. Install 70pcs decoration glass (H) on the lamp frame with nuts (I). The glass panels can be adjusted by loosening the nut and manoeuvring the glass up or down slightly, then re-tighten the nuts.

(12) There is a small Hexagon wrench inside the accessory pack. It can be used to tighten or change the inner hexagon screws of the rings.

### CARE INSTRUCTIONS:

Do not use polishes or cleaners on your lamp. Wipe clean with a soft cloth.