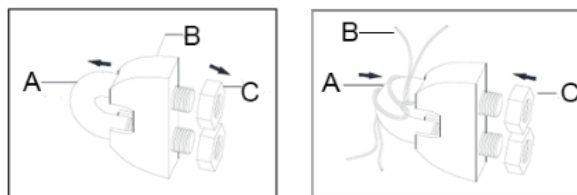


# RH

## SAN MARCO TWO TIER ROUND CHANDELIER 22"

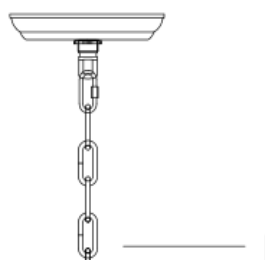
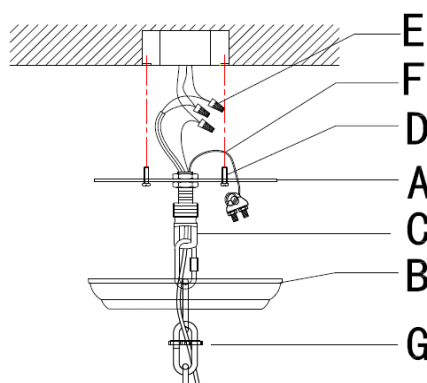
### PARTS ENCLOSED:

- (A) CEILING BRACKET (1)
- (B) CEILING CANOPY (1)
- (C) LOOP (1)
- (D) MOUNTING SCREWS (2)
- (E) WIRE CAPS (3)
- (F) SAFETY CABLE (1)
- (G) RING (1)
- (H) BULBS (10)
- (I) CHAIN (1)
- (J) 10.4" GLASS (52)
- (K) NUTS (104)
- (J) SPARE GLASS (5)
- (K) SPARE NUTS (5)

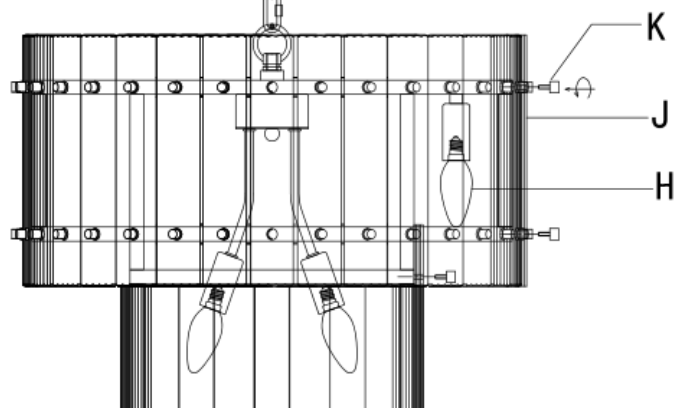


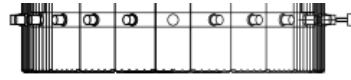
### Install safety cable:

1. Remove Hex Nut (C) from Cable Lock Nut (A) and pull Cable Lock Nut (A) from Safety Cable (B).
2. Wrap the safety cable (B) around the cable lock nut.
3. Secure by tightening both hex nuts (C) until tight.



GLASS—J





# RH

## SAN MARCO TWO TIER ROUND CHANDELIER 22"

---

### IMPORTANT SAFETY INSTRUCTION:

**(1) Use an authorized and certified electrician for consultation and installation. The electrician must be familiar with commercial-type application of every ceiling lamp and the hazards involved. The electrician should install it as per the applicable installation code.**

(2) This fixture has been rated for 10x40-watt maximum E12, type B bulb.

(3) To avoid the risk of fire, do not exceed the recommended wattage.

**(4) The ceiling must have the load bearing capacity of at least 5 times the weight of the ceiling light. For this light, the ceiling should have load bearing capacity of 187lbs, at least.**

(5) This fixture is vaulted-ceiling compatible, up to a maximum ceiling slope of 30 degrees

(6) The manufacturer and distributor accept no liability for incorrect installation.

(7) For indoor use only.

(8) Keep away from children.

### WARNINGS:

(1) Turn-off electricity supply at main circuit panel before installing. Do not connect electricity supply until your ceiling lamp is fully assembled and installed.

(2) All wires are connected. Do not remove the pendant from its packaging by pulling on the power cord, as a bad connection may result.

(3) To reduce the risk of fire, electrical shock, or personal injury, always turn off the light and allow it to cool prior to replacing the light bulb. Do not touch the bulb when the fixture is turned on or look directly at the light bulb. Keep flammable materials away from the light bulb.

(4) Deviation from instructions may result in a risk of fire or electric shock.

### ASSEMBLY & INSTALLATION:

(1) Carefully remove the parts from the carton and place them on a flat surface. Please make sure that you have all the parts indicated before you begin to assemble this item.

(2) Determine the hanging length of the chandelier. Connect the chain according to the height needed.

(3) Remove ceiling bracket (A) from ceiling canopy (B) by unscrewing the ring (G).

(4) Fasten the ceiling bracket (A) onto the Outlet Box by using the bolt (D).

(5) Thread the wires through component (suspension eye), Ceiling canopy (B) and connect the 3 power wires. Use the wiring caps (E) to connect the SPT-1 wire and bare copper wire to the power wire on the ceiling. The black wire with markings or letters is live wire, connect it to the black (positive) wire. The black wire without markings or letters is neutral wire, connect it to the white (neutral) wire. Copper wire is the ground wire, connect to the ground wire. Then secure by wrapping with insulated rubber tape (not included).

(6) Connect the loop (C) to the ceiling bracket with the chain (I), then tighten the ring (G) securely.

(7) Check whether the connection is sufficiently strong. Carefully lower the lamp until the chains are taut.

(8) Install 10pcs 40-Watt maximum Type B Candelabra incandescent light bulb into the socket of the fixture. **DO NOT EXCEED THE SPECIFIED WATTAGE.**

(9) Remove the nuts (K) from the lamp frame. Install 52 pcs decoration glass (J) on the lamp frame with nuts (K). The glass panels can be adjusted by loosening the nut and manoeuvring the glass up or down slightly, then re-tighten the nuts.

### CARE INSTRUCTIONS:

Do not use polishes or cleaners on your lamp. Wipe clean with a soft cloth.

**THIS IS NOT A TOY. THE PRODUCT HAS NO PLAY VALUE.**