

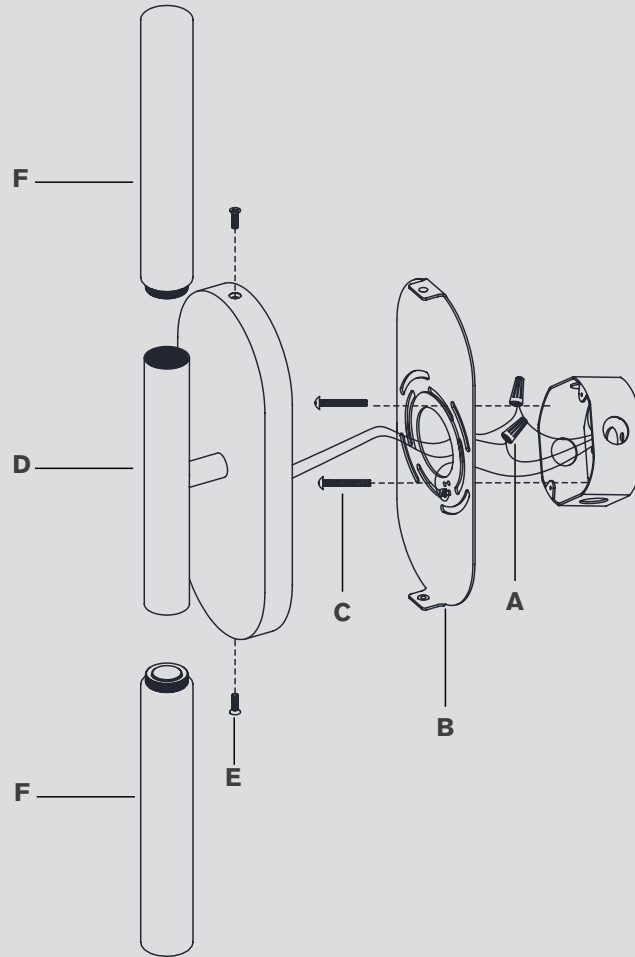
RH

ROUSSEAU SCONCE
ASSEMBLY & INSTALLATION INSTRUCTIONS
ENGLISH

ROUSSEAU SCONCE 22"

PARTS INCLUDED

- (A) Wire Nuts (2)
- (B) Mounting Plate (1)
- (C) Mounting Screws (2)
- (D) Fixture Body (1)
- (E) Screws (2)
- (F) Glass Rods (2)



IMPORTANT: PLEASE READ**IMPORTANT SAFETY FEATURES**

This fixture is compatible with an Electric Low Voltage (ELV) Dimmer. LED module is replaceable.

DIMMER SWITCH COMPATIBILITY

This fixture is dimmer-switch compatible, and may only be used with a forward phase dimmer switch.

WARNINGS

All wires are connected. When unpacking, be careful not to pull wires, as damage may result. Do not connect electricity until the fixture is fully assembled. To reduce the risk of fire, electrical shock, or personal injury, always turn off fixture and allow it to cool prior to replacing the light bulb. Do not touch or look directly at the bulb when fixture is illuminated. Keep flammable materials away from lit bulb.



WARNING: This product can expose you to lead, which is known to the State of California to cause cancer and birth defects or other reproductive harm. For more information, go to www.P65Warnings.ca.gov.

WARNING: STRANGULATION HAZARD

Keep cord at least 3 feet away from cribs, bassinets, and toddler beds. Keep out of reach of children under 3 years of age.

THIS PRODUCT IS NOT A TOY AND HAS NO PLAY VALUE.

ASSEMBLY AND INSTALLATION**SHUT OFF THE MAIN ELECTRICAL SUPPLY FROM THE FUSE BOX OR CIRCUIT BREAKER PANEL.**

1. Carefully remove all parts from the box and remove all plastic coverings.
2. Remove Mounting Plate (B) from fixture by removing Screws (E).
3. Install Mounting Plate (B) to the wall junction box and secure with Mounting Screws (C).
4. Connect supply ground wire (usually green or bare copper) around the green grounding screw and tighten. **NOTE: IT IS IMPERATIVE THAT THE FIXTURE BE GROUNDED.** Connect fixture neutral wire (white) to the supply neutral wire (usually white) using a Wire Nut (A).
5. Connect fixture hot wire (black) to the supply hot wire (usually black) using a Wire Nut (A). **CAUTION: Do not reverse the hot and neutral connections.**
6. Make sure all wire connections are tight, then carefully tuck into the junction box.
7. Install fixture to Mounting Plate (B) and secure with Screws (E).
8. Thread Glass Rods (F) to Fixture Body (D). **NOTE: Do not overtighten, otherwise, Glass Rods (F) could become damaged.**
9. Installation is complete; turn on power at fuse or circuit breaker.

CARE INSTRUCTIONS

Do not use polishes or cleaners on the fixture. Wipe clean with a soft, dry cloth.