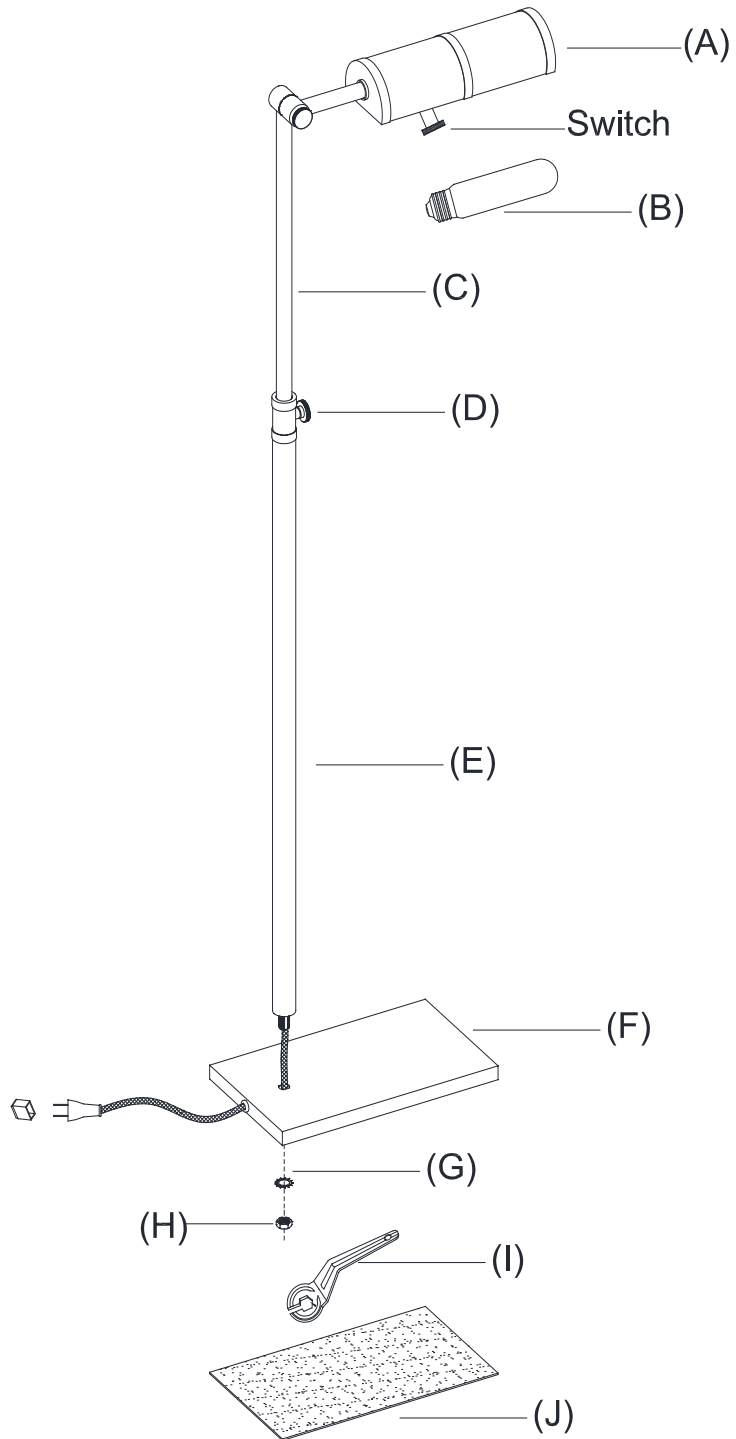


NORRIS TASK FLOOR LAMP

PARTS ENCLOSED

- (A) Shade (1)
- (B) Bulb (1)
- (C) Inner Rod (1)
- (D) Break (1)
- (E) Pole (1)
- (F) Lamp Base (1)
- (G) Washer (1)
- (H) Nut (1)
- (I) Wrench (1)
- (J) Felt Pad (1)



NORRIS TASK FLOOR LAMP

IMPORTANT SAFETY INSTRUCTIONS

INSTALLATION BY A LICENSED ELECTRICIAN IS STRONGLY RECOMMENDED.

This fixture has been rated for one (1) 60-watt Type T lightbulb (not included), one (1) 13-watt compact fluorescent lightbulb (not included), or one (1) 5.5-watt SBLED lightbulb (included). To avoid the risk of fire, do not exceed the recommended wattage.

WARNINGS

All wires are connected. When unpacking, be careful not to pull wires, as a bad connection may result. Do not connect electricity until your fixture is fully assembled. To reduce the risk of fire, electrical shock, or personal injury, always turn off fixture and allow it to cool prior to replacing the lightbulb. Do not touch or look directly at the bulb when fixture is illuminated. Keep flammable materials away from lit bulb.



WARNING: This product can expose you to lead, which is known to the State of California to cause cancer and birth defects or other reproductive harm. For more information, go to www.P65Warnings.ca.gov.

THIS PRODUCT IS NOT A TOY AND HAS NO PLAY VALUE.



WARNING: STRANGULATION HAZARD

Keep cord at least 3 feet away from cribs, bassinets, and toddler beds. Keep out of reach of children under 3 years of age.

ASSEMBLY & INSTALLATION

SHUT OFF THE MAIN ELECTRICAL SUPPLY FROM THE FUSE BOX OR CIRCUIT BREAKER PANEL.

1. Carefully remove all parts from the box and remove all plastic coverings.
2. Connect Pole (E) to Base (F) and secure with Washer (G) and Nut (H) using Wrench (I).
3. Remove adhesive backing from Felt Pad (J) and carefully apply to the bottom of Base (F).
4. Insert Bulb (B) into the threaded socket.
5. Adjust Shade (A) to the desired position if needed.
6. Loosen Break (D) to adjust Rod (C) to the desired height if needed, then tighten Break (D).
7. Plug into proper electrical outlet and test fixture.
8. Assembly is complete.

CARE INSTRUCTIONS

Do not use polishes or cleaners on the fixture. Wipe clean with a soft, dry cloth.