

RH

MELANGE 20" SCONCE

ASSEMBLY & INSTALLATION INSTRUCTIONS
UNITED STATES ENGLISH

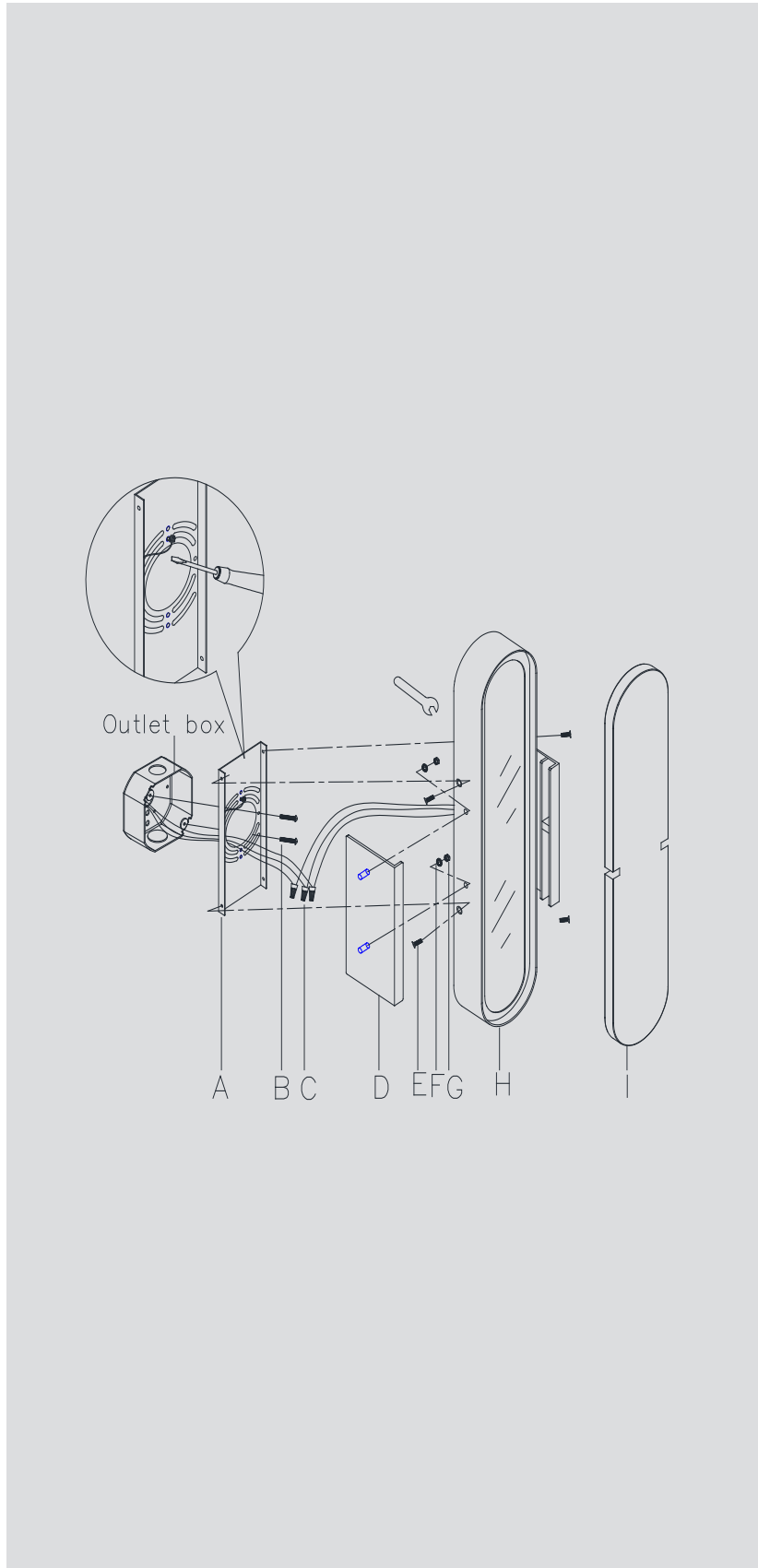
MELANGE 20" SCONCE PARTS

INCLUDED

- (A) Mounting Plate (1)
- (B) Mounting Screws (2)
- (C) Wire Nuts (3)
- (D) Bracket (1)
- (E) Side Screws (4)
- (F) Washers (4)
- (G) Nuts (4)
- (H) Fixture Body (1)
- (I) Alabaster Panel (1)

TOOLS NEEDED
(IF APPLICABLE)

- Phillips Screwdriver
- Slotted Screwdriver
- Wrench



IMPORTANT: PLEASE READ

PLEASE FOLLOW THE ASSEMBLY INSTRUCTIONS CLOSELY. IMPROPER ASSEMBLY OR INSTALLATION CAN RESULT IN PERSONAL OR PROPERTY DAMAGE. MOUNTING HARDWARE HAS BEEN PROVIDED FOR MOUNTING TO A WOODEN STRUCTURAL BEAM. UNIQUE OR ALTERNATIVE INSTALLATION TYPES MAY REQUIRE DIFFERENT MOUNTING HARDWARE, WHICH HAS NOT BEEN INCLUDED. ALWAYS CONSULT WITH A LICENSED ELECTRICIAN BEFORE INSTALLATION.

INSTALLATION BY A LICENSED ELECTRICIAN IS STRONGLY RECOMMENDED.

IMPORTANT SAFETY FEATURES

BULBS

This fixture has been rated for up to 20-watt maximum LED panel. To avoid the risk of fire, do not exceed the recommended wattage.

DIMMER SWITCH COMPATIBILITY

This fixture is dimmer-switch compatible, and may only be used with a TRIAC dimmer switch.

WALL REINFORCEMENT

Fixtures weighing 25 lb. or more will require additional wall reinforcement behind the wall where they are to be installed.

WARNINGS

All wires are connected. When unpacking, be careful not to pull wires, as damage may result. Do not connect electricity until the fixture is fully assembled. To reduce the risk of fire, electrical shock, or personal injury, always turn off fixture and allow it to cool prior to replacing the lightbulb. Do not touch or look directly at the bulb when fixture is illuminated. Keep flammable materials away from lit bulb.

WARNING: STRANGULATION HAZARD

Keep cord at least 3 feet away from cribs, bassinets, and toddler beds. Keep out of reach of children under 3 years of age.

THIS PRODUCT IS NOT A TOY AND HAS NO PLAY VALUE.

ASSEMBLY AND INSTALLATION

SHUT OFF THE MAIN ELECTRICAL SUPPLY FROM THE FUSE BOX OR CIRCUIT BREAKER PANEL.

1. Carefully remove all parts from the box and remove all plastic coverings.
2. Remove Mounting Plate (A) from Fixture Body (H) by loosening Side Screws (E).
3. Remove Bracket (D) from Fixture Body (H) by loosening Nuts (G) and Washers (F).
4. Affix Alabaster Panel (I) to Bracket (D). Install Bracket (D) onto Fixture Body (H) and secure with Washers (F) and Nuts (G).
5. Install Mounting Plate (A) to the wall outlet box and secure with Mounting Screws (B).
6. Connect the ground wire (bare copper) from the fixture to the ground wire from the outlet box (usually green or copper in color). IT IS IMPERATIVE THAT THIS FIXTURE BE GROUNDED.
7. Connect the hot wire (black) from the fixture to the hot wire from the wall outlet box (usually black). Fasten them together with a Wire Nut (C) and wrap the connection with electrical tape.
8. Connect the neutral wire (white) from the fixture to the neutral wire from the outlet box (usually white). DO NOT REVERSE THE HOT AND NEUTRAL CONNECTIONS OR SAFETY WILL BE COMPROMISED.
9. Make sure all wire connections are tight, then carefully tuck into the outlet box.
10. Attach Fixture Body (H) to Mounting Plate (A) and secure with Side Screws (E).
11. Installation is complete; turn on power at fuse or circuit breaker.

CARE INSTRUCTIONS

Do not use polishes or cleaners on the fixture. Wipe clean with a soft, dry cloth.