

RH

MARBUZET LINEAR SCONCE 20"

ASSEMBLY & INSTALLATION INSTRUCTIONS

UNITED STATES ENGLISH

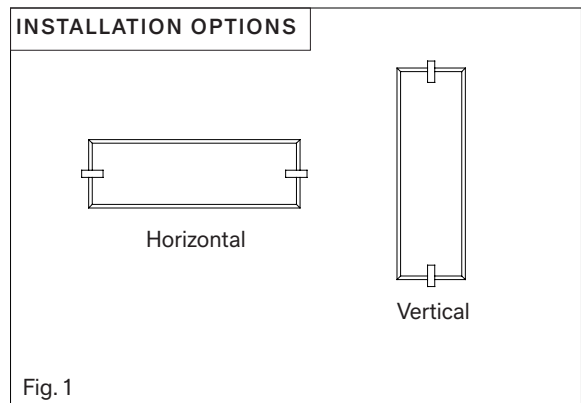
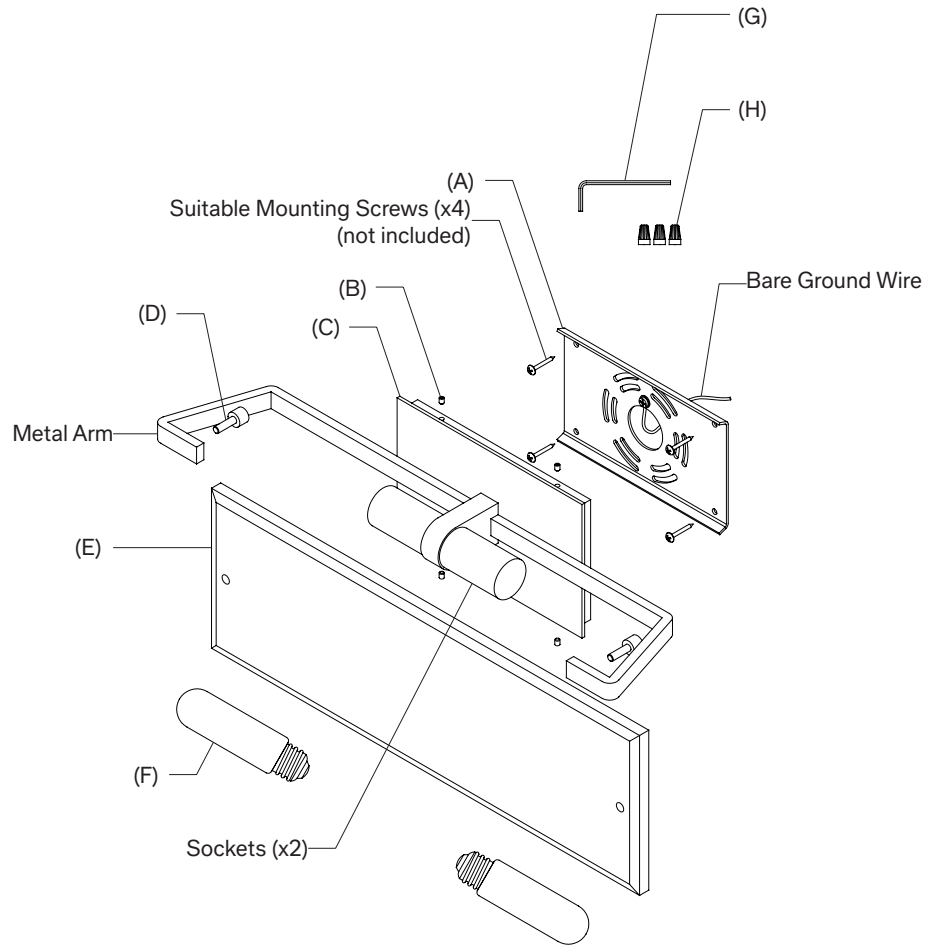
MARBUZET LINEAR SCONCE 20"

PARTS INCLUDED

- (A) Mounting Plate (1)
- (B) 3/16"L Hex Socket Set Screws (4)
- (C) Backplate (1)
- (D) Knurled Screws (2)
- (E) Crystal Panel (1)
- (F) Lightbulbs (2)
- (G) Allen Wrench (1)
- (H) Wire Nuts (3)

TOOLS NEEDED

- (A) Phillips-Head Screwdriver



IMPORTANT: PLEASE READ

PLEASE FOLLOW THE ASSEMBLY INSTRUCTIONS CLOSELY. IMPROPER ASSEMBLY OR INSTALLATION CAN RESULT IN PERSONAL OR PROPERTY DAMAGE. MOUNTING HARDWARE HAS BEEN PROVIDED FOR MOUNTING DIRECTLY TO A JUNCTION BOX. UNIQUE OR ALTERNATIVE INSTALLATION TYPES MAY REQUIRE DIFFERENT MOUNTING HARDWARE, WHICH HAS NOT BEEN INCLUDED. ALWAYS CONSULT WITH A LICENSED ELECTRICIAN BEFORE INSTALLATION.

INSTALLATION BY A LICENSED ELECTRICIAN IS STRONGLY RECOMMENDED.

IMPORTANT SAFETY FEATURES**BULBS**

This fixture has been rated for up to one (1) 40 -watt maximum Type T8 E26 base incandescent lightbulb. To avoid the risk of fire, do not exceed the recommended wattage.

DIMMER SWITCH COMPATIBILITY

This fixture is dimmer-switch compatible, and may only be used with a forward phase dimmer switch.

WARNINGS

All wires are connected. When unpacking, be careful not to pull wires, as damage may result. Do not connect electricity until the fixture is fully assembled. To reduce the risk of fire, electrical shock, or personal injury, always turn off fixture and allow it to cool prior to replacing the lightbulb. Do not touch or look directly at the bulb when fixture is illuminated. Keep flammable materials away from lit bulb.

WARNING: STRANGULATION HAZARD

Keep cord at least 3 feet away from cribs, bassinets, and toddler beds. Keep out of reach of children under 3 years of age.

THIS PRODUCT IS NOT A TOY AND HAS NO PLAY VALUE.

ASSEMBLY AND INSTALLATION**SHUT OFF THE MAIN ELECTRICAL SUPPLY FROM THE FUSE BOX OR CIRCUIT BREAKER PANEL.**

1. Carefully remove all parts from the box and remove all plastic coverings.
2. Determine the installation direction of sconce (see Fig. 1). Attach Mounting Plate (A) to wall's outlet box and secure with Suitable Mounting Screws (not included) and proper fasteners from your local hardware store.
3. Carefully inspect the sconce's fixture wires. White wire is the NEUTRAL WIRE. Black wire is the HOT WIRE. Bare wire is the GROUND WIRE.
4. Carefully lift up the Backplate (C) with the light fixture and place it close to outlet box for wiring.
5. Connect the GROUND WIRE from the fixture with the ground wire (usually bare) from your outlet box using a wire nut (H). If your house does not have a ground wire, attach the GROUND WIRE from the fixture to the green grounding screw inside of the outlet box. IT IS IMPERATIVE THAT THE OUTLET BOX IN YOUR HOME BE PROPERLY GROUNDED.
6. Connect the NEUTRAL WIRE from your fixture with the neutral wire (usually white) from your outlet box using a wire nut (H).
7. Connect the HOT WIRE from your fixture with the hot wire (usually black) from your outlet box using a wire nut (H). DO NOT REVERSE THE HOT AND NEUTRAL CONNECTIONS OR SAFETY WILL BE COMPROMISED.
8. Tuck the wire connection neatly into the wall's outlet box.
9. Attach Backplate (C) with light fixture to affixed Mounting Plate (A) and secured with 3/16"L Hex Socket Set Screws (B) and the Allen Wrench (G).
10. Secure Crystal Panel (E) to the Metal Arm with Knurled Screws (D).
11. Insert the Lightbulb (F) into socket.
12. Assembly is complete.

CARE INSTRUCTIONS

Wipe all surfaces with a soft, dry cloth. Clean glass with a mild soap and water mixture. Do not use any harsh cleaners (including ammonia-based products) or abrasives, as they will damage the finish.

