

# RH

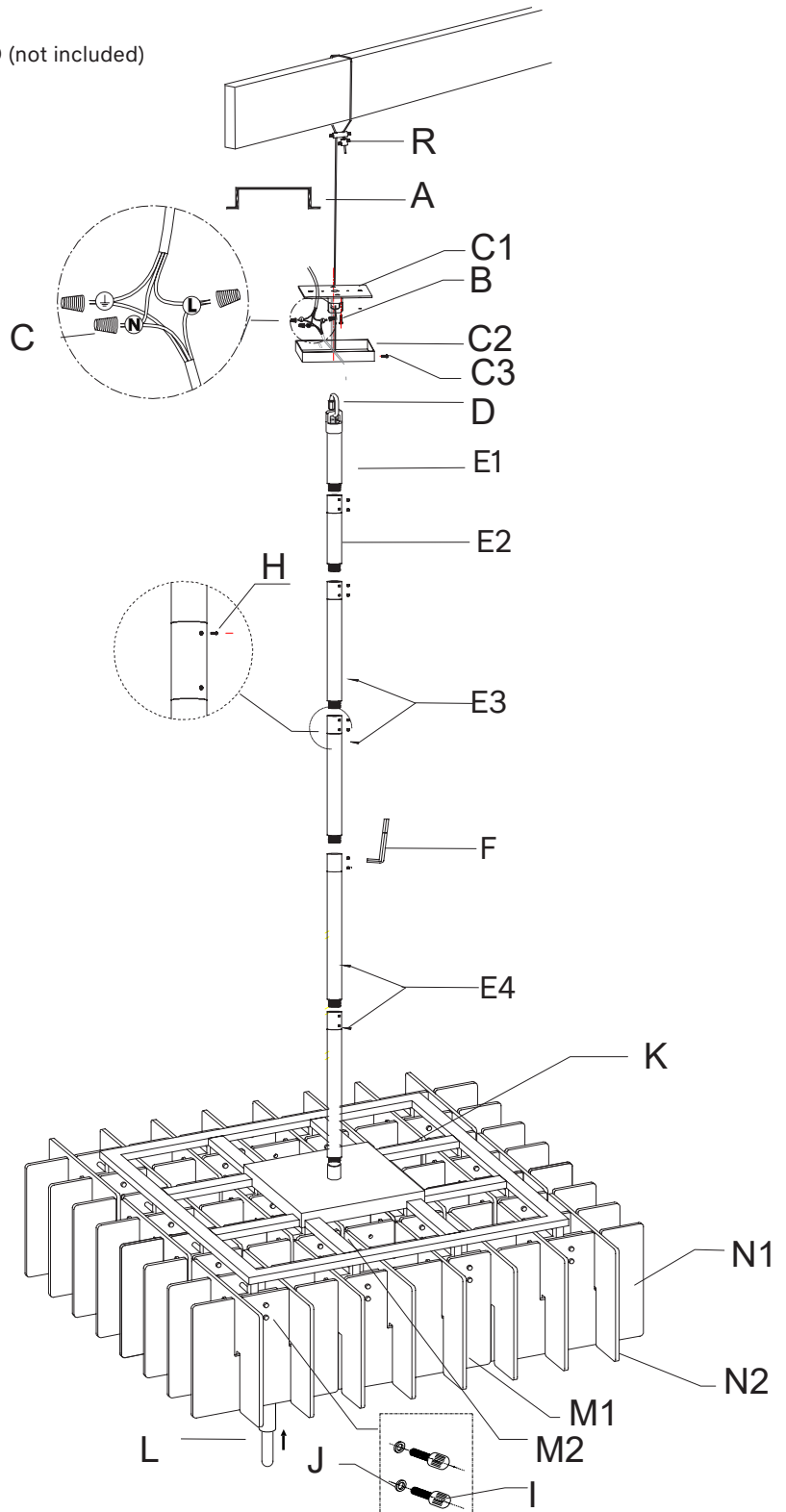
LATTICE SQUARE CHANDELIER 37"(94 CM)

ASSEMBLY AND INSTALLATION INSTRUCTIONS  
**UNITED STATES ENGLISH**

**LATTICE SQUARE CHANDELIER 37" (94 CM)**

**PARTS INCLUDED:**

- (A) Junction Box, 22.7kg/50lbs. MIN. FIXTURE RATED (not included)
- (B) Mounting Screws (4 sets; not included)
- (C) Wire Nuts (3)
- (C1) Ceiling Plate (1)
- (C2) Ceiling Box (1)
- (C3) Bolts (2)
- (D) Quick Link  $\frac{5}{16}$ " (8mm) (1)
- (E1) Extension Rod, 7" (18cm) (1)
- (E2) Extension Rod, 8" (20cm) (1)
- (E3) Extension Rods, 14" (35cm) (2)
- (E4) Extension Rods, 20" (51cm) (2)
- (F) Allen Key (1)
- (H) Set Bolts (12 + 3 extra)
- (I) Bolts (72 + 7 extra)
- (J) Rubber Washers (72)
- (K) Fixture Body (1)
- (L) Bulbs (9)
- (M1) Glass Plates  $15\frac{3}{4}$ " (40 cm) x 13" (33 cm) (16)
- (M2) Glass Plates  $15\frac{3}{4}$ " (40 cm) x 13" (33 cm) (8)
- (N1) Glass Plates 13" (33 cm) x 6" (13 cm) (10)
- (N2) Glass Plates 13" (33 cm) x 6" (13 cm) (2)
- (R) Safety Cable (1)



**PRODUCT INFO**

General material: Glass and iron  
 Grounded / hardwired

**IMPORTANT: PLEASE READ**

PLEASE FOLLOW THE ASSEMBLY INSTRUCTIONS CLOSELY. IMPROPER ASSEMBLY OR INSTALLATION CAN RESULT IN PERSONAL OR PROPERTY DAMAGE. MOUNTING HARDWARE HAS BEEN PROVIDED FOR MOUNTING TO A WOODEN STRUCTURAL BEAM. UNIQUE OR ALTERNATIVE INSTALLATION TYPES MAY REQUIRE DIFFERENT MOUNTING HARDWARE, WHICH HAS NOT BEEN INCLUDED. ALWAYS CONSULT WITH A LICENSED ELECTRICIAN BEFORE INSTALLATION. INSTALLATION BY A LICENSED ELECTRICIAN IS STRONGLY RECOMMENDED.

**IMPORTANT SAFETY FEATURES****BULBS**

This fixture has been rated for up to nine (9) 5 watt maximum E26 LED bulbs (included). To avoid the risk of fire, do not exceed the recommended wattage.

**VAULTED CEILING COMPATIBILITY**

This fixture is vaulted-ceiling compatible.

**DIMMER SWITCH COMPATIBILITY**

This fixture is dimmer-switch compatible and may only be used with a **forward or reverse phase** dimmer switch.

**CEILING REINFORCEMENT**

Fixtures weighing 50 lb. or more will require additional reinforcement above the ceiling where they are to be installed.

**WARNINGS**

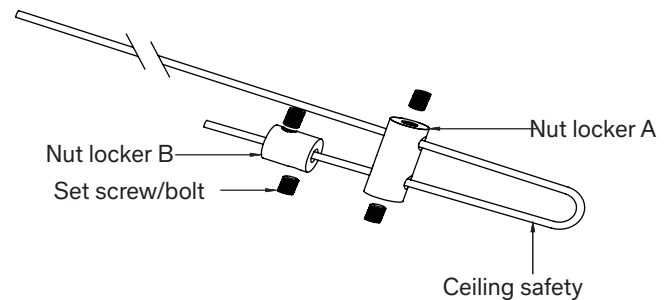
All wires are connected. When unpacking, be careful not to pull wires, as damage may result. Do not connect electricity until the fixture is fully assembled. To reduce the risk of fire, electrical shock, or personal injury, always turn off fixture and allow it to cool prior to replacing the lightbulb. Do not touch or look directly at the bulb when fixture is illuminated. Keep flammable materials away from lit bulb.

**WARNING: STRANGULATION HAZARD**

Keep cord at least 3 feet away from cribs, bassinets, and toddler beds. Keep out of reach of children under 3 years of age.

**THIS PRODUCT IS NOT A TOY AND HAS NO PLAY VALUE. INSTALL SAFETY CABLE:**

1. Remove the nut locker A & B by loosening the set screw from the ceiling safety cable before installation.
2. Insert the ceiling safety cable through the nut lockers as the drawing shows.
3. Fasten the nut locker A with set screw/bolt.
4. Fasten the nut locker B with set screw/bolt.



## ASSEMBLY AND INSTALLATION

**SHUT OFF THE MAIN ELECTRICAL SUPPLY FROM THE FUSE BOX OR CIRCUIT BREAKER PANEL.**

1. Carefully remove all parts from the box and remove all plastic coverings.
2. Turn OFF power to junction box where the ceiling light will be installed.
3. Loosen bolts (C3) and remove the ceiling plate (C1) from the ceiling box (C2).
4. Attach the ceiling plate (C1) to the ceiling with mounting screws (B), then attach the ceiling box (C2) to ceiling plate (C1), then fasten the bolt (C3).
5. Attach the extension rods (E1, E2, E3, and E4) to the body (K) and secured with set bolt (H). If the extension rods are not aligned, please loosen the set bolts and loosen the extension a little bit until the extension rods are aligned, then tighten the set bolts.
6. Feed wires through extension rods (E4, E3, E2, and E1) to come out from the top of the extension rod (E1).
7. Move the fixture body up to ceiling plate (C1), unlock quick link (D) to attach the collar of the extension rod (E1) to the ceiling plate (C1).
8. Move the ceiling box (C2) down from the ceiling plate (C1) and feed wires through the ceiling box.
9. Have a professional contractor reinforce ceiling. Attach the safety cable (R) to ceiling beam through the junction box (A), then attach the safety cable to the fixture on the ceiling with the nut locker.
10. Carefully inspect the fixture wires. One is the ground wire (marked with ⊕). The second is the neutral wire (marked with N). The third wire is the live/hot wire (marked with L).
11. Connect the fixture ground wire to the power supply ground wire with Wire Nut (C). NOTE: IT IS IMPERATIVE THAT THE OUTLET BOX IN YOUR HOME BE PROPERLY GROUNDED.
12. Connect the fixture neutral wire to the power supply neutral wire with Wire Nut (C).
13. Connect the fixture live/hot wire to the power supply live/hot wire with Wire Nut (C). CAUTION: DO NOT REVERSE THE HOT AND NEUTRAL CONNECTIONS, AS SAFETY WILL BE COMPROMISED.
14. Move the ceiling box (C2) up to the ceiling plate (C1), then fasten the bolt (C3).
15. Fasten lightbulbs (L) to the lampholders.
16. Attach the glass sheet (M1, M2, N1, and N2) to the body secure with rubber bolt (I) and washer (J) per drawing on following page. Do not overtighten.
17. Restore power to the junction box and test fixture.
18. Assembly is complete.

## CARE INSTRUCTIONS

Do not use polishes or cleaners on the fixture. Wipe clean with a soft, dry cloth.

**GLASS SHEET ASSEMBLY INSTRUCTIONS**  
**STEP 1**

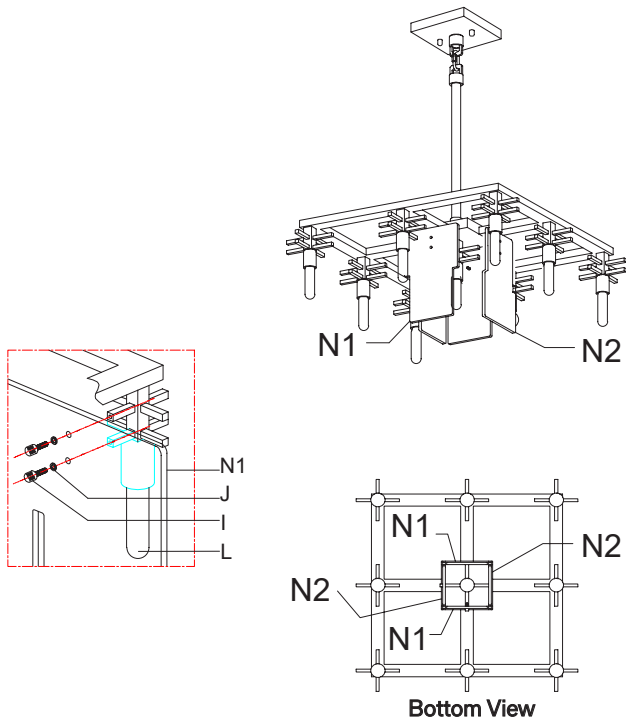


Figure 1-Installation for the inner part of the glass sheets (N1 & N2). Install 2 pcs of N1 first, then fix 2 pcs of N2.

**STEP 2**

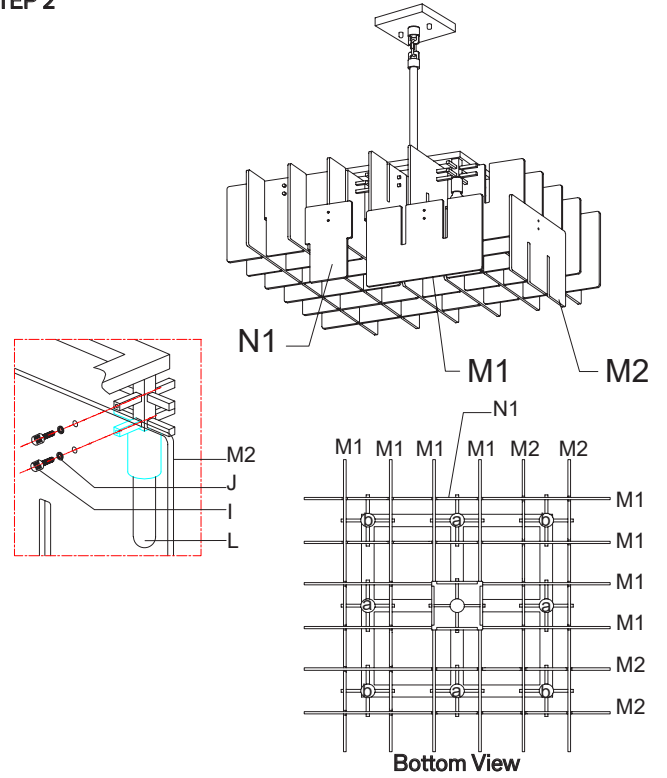


Figure 2-Installation for the outer part of the glass sheets (M1, M2 & N1).  
Holder "a": install 2 pcs of N1 first, then fix 2 pcs of M1.  
Holder "b" : install 2 pcs of M2 first, then fix 2 pcs of M1.

**STEP 3**

