

FULHAM SCONCE WITH CLEAR GLASS SHADE

PARTS ENCLOSED:	HARDWARE INCLUDED:
(A) Mounting plate (1)	(a) Plastic wire connector (3)
(B) Back plate (1)	(b) Green ground screw (1)
(C) Glass holder (1)	(c) Mounting screw (2)
(D) Bulb (1)	(d) Back screw (1)
(E) Glass (1)	(e) Allen key (1)
(F) Shade (1)	

IMPORTANT SAFETY INSTRUCTIONS

WE RECOMMEND INSTALLATION BY A LICENSED ELECTRICIAN. This fixture has been rated for up to (1) 40-Watt maximum Type T6 bulb. To avoid the risk of fire, do not exceed the recommended wattage.

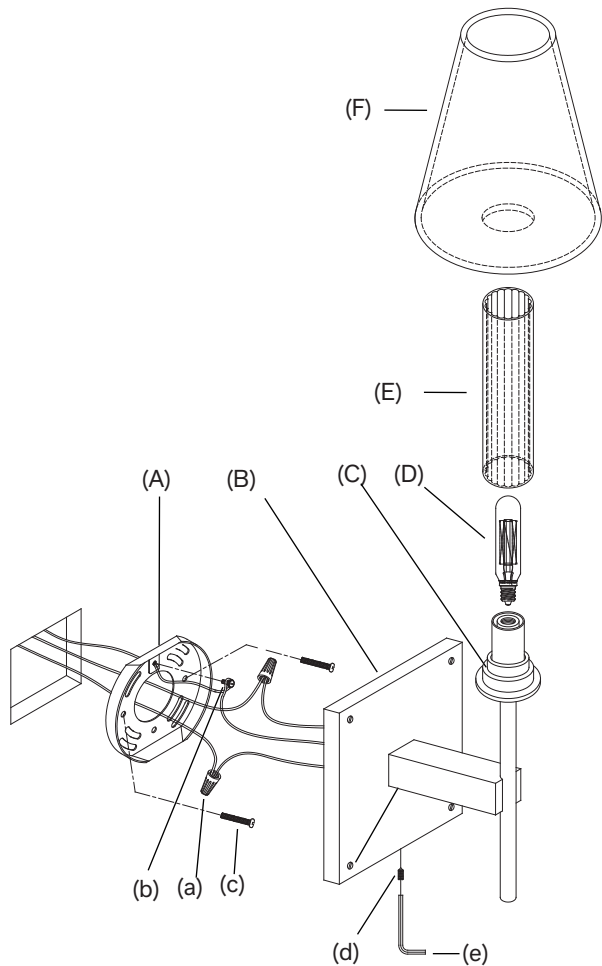
WARNINGS:

All wires are connected. When unpacking, be careful not to pull wires as a bad connection may result. Do not connect electricity until your lamp is fully assembled.

To reduce the risk of fire, electrical shock or personal injury, always turn off lamp and allow it to cool prior to replacing bulb.

Do not touch bulb or look directly at lit bulb when fixture is turned on. Keep flammable materials away from lit bulb.

This lighting fixture contains lead, a chemical known to the State of California to cause cancer, birth defects and other reproductive harm. Wash hands after installing, handling, cleaning or otherwise touching this light fixture.



ASSEMBLY AND INSTALLATION:

- Carefully remove all parts from the box and remove all plastic coverings.
- Turn OFF power to the junction box where the lamp will be installed.
- Attach the ground wire from the fixture to the ground junction box wire from the outlet box (usually green or bare wire). the fixture's ground wire around the green ground screw (b), and then fix the green ground screw into the mounting plate (A).
- Connect the hot wire to the hot junction box wire (usually black or smooth) with a plastic wire connector (a) and wrap the connection with electrical tape. Connect the neutral wire to the neutral junction box wire (usually white or ribbed) with a plastic wire connector (a) and wrap the connection with electrical tape.
- Attach the mounting plate (A) to the outlet box using the mounting screws (c). Tighten with a screwdriver.
- Attach the back plate (B) to the mounting plate (A) using the back screw (d) and Allen key (e) and tighten it.
- Insert the 40-Watt Type T6 bulb (D) into threaded socket. Put the glass (E) and shade (F) onto the glass holder (C) to cover the bulb.
- Restore power to the junction box and test the light by turning it on.
- Installation is complete.

CARE INSTRUCTIONS:

Do not use polishes or cleaners on the fixture.
WIPE CLEAN WITH A SOFT, DRY CLOTH.