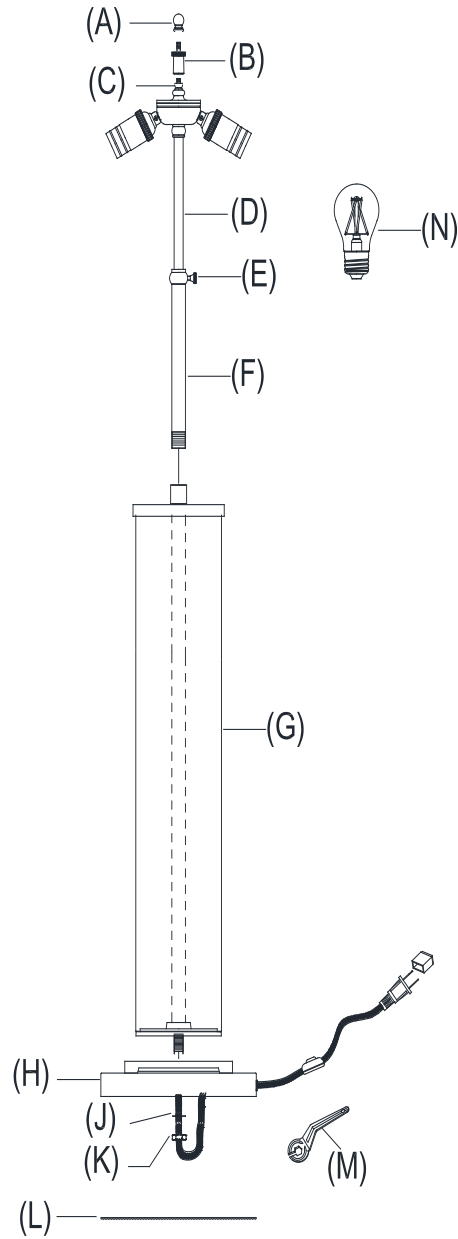


RH

FRENCH COLUMN GLASS FLOOR LAMP

PARTS ENCLOSED

- (A) Finial (1)
- (B) Riser Set (1)
- (C) Threaded Nipple (1)
- (D) Upper Pole (1)
- (E) Adjustment Key (1)
- (F) Lower Pole (1)
- (G) Glass Body (1)
- (H) Lamp Base (1)
- (J) Washer (1)
- (K) Nut (1)
- (L) Backing Sheet (1)
- (M) Wrench (1)
- (N) LED Bulbs (2)



FRENCH COLUMN GLASS FLOOR LAMP

IMPORTANT SAFETY INSTRUCTIONS

INSTALLATION BY A LICENSED ELECTRICIAN IS STRONGLY RECOMMENDED.

For safety purposes, this lamp is equipped with a polarized plug (one blade is wider than the other). If the plug does not fit securely into outlet, do not force it - contact a professional electrician. Use the plug with an extension cord only if it can be fully inserted into the cord's socket. Never alter the plug in any way.

This fixture has been rated for two (2) 100-Watt maximum TYPE A standard bulbs (not included) or two (2) 23-Watt compact fluorescent bulbs (not included) or two (2) 4.5-Watt SBLED light bulbs (N) (included). To avoid the risk of fire, do not exceed the recommended wattage.

WARNINGS

All wires are connected. When unpacking, be careful not to pull wires, as a bad connection may result. Do not connect electricity until your fixture is fully assembled. To reduce the risk of fire, electrical shock, or personal injury, always turn off fixture and allow it to cool prior to replacing the light bulb. Do not touch or look directly at the bulb when fixture is illuminated. Keep flammable materials away from lit bulb.



WARNING: This product can expose you to lead, which is known to the State of California to cause cancer and birth defects or other reproductive harm. For more information, go to www.P65Warnings.ca.gov.

THIS IS NOT A TOY AND THE PRODUCT HAS NO PLAY VALUE.



WARNING: STRANGULATION HAZARD

Keep cord at least 3 ft away from cribs, bassinets, and toddler beds. Keep out of reach of children under 3.

ASSEMBLY & INSTALLATION

SHUT OFF THE MAIN ELECTRICAL SUPPLY FROM THE FUSE BOX OR CIRCUIT BREAKER PANEL.

- Carefully remove all parts from the box and remove all plastic covering.
- Screw Lower Pole (F) into top opening of Glass Pole (G).
- Join Glass Pole (G) and Lamp Base (H) together. Slide Washer (J) over the threaded pipe, which protrudes through bottom of Lamp Base (H).
- Screw Nut (K) on the threaded pipe and tighten with Wrench (M) provided.
- Pull the wire until taut.
- Remove backing sheet from Felt (L) and affix the felt underneath the lamp base.
- Unscrew the Finial (A) from Threaded Nipple (C). Place the desired shade (sold separately) over Threaded Nipple (C).
- Attach the Finial (A) and tighten to secure the shade.
- Shade Risers (B) can be used to increase the height of harp and raise the lampshade for proper fitting.
- Insert Bulbs (N) into threaded socket.
- Plug into proper electrical outlet and test fixture.
- Assembly is complete.

HEIGHT ADJUSTMENT

- Loosen Adjustment Key (F) in the counter-clockwise direction.
- Adjust lamp by pulling or pushing Upper Pole (D) up or down to desired height.
- Tighten the Adjustment Key (F) in the clockwise direction.

CARE INSTRUCTIONS

Do not use polishes or cleaners on your lamp. Just wipe clean with a soft cloth.