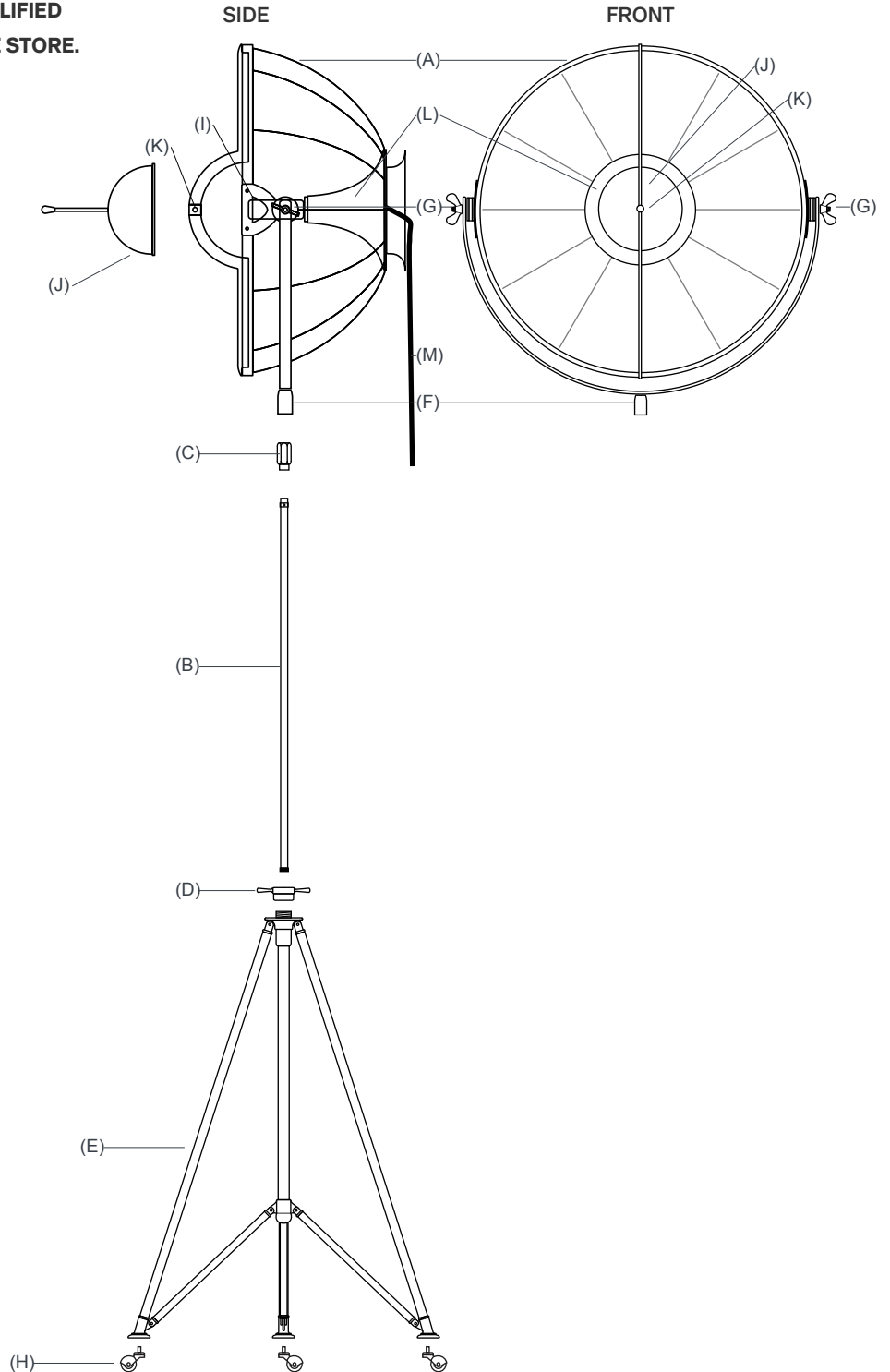


## FORTUNY® STUDIO 63 TRIPOD FLOOR LAMP

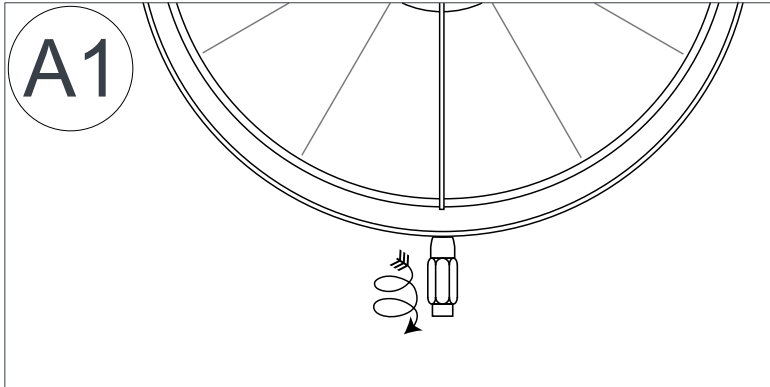
**PLEASE FOLLOW THE ASSEMBLY INSTRUCTIONS CLOSELY. IMPROPER ASSEMBLY OR INSTALLATION CAN RESULT IN PERSONAL OR PROPERTY DAMAGE. IF YOU ARE UNSURE ABOUT WHAT MOUNTING METHOD YOU SHOULD USE, CONSULT A QUALIFIED PROFESSIONAL OR YOUR LOCAL HARDWARE STORE.**

**PARTS ENCLOSED:**

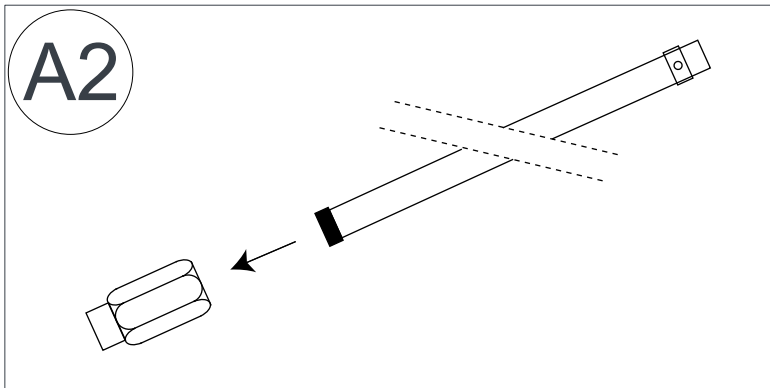
- (A) Head
- (B) Rod
- (C) Hex nut
- (D) Friction lock
- (E) Stand
- (F) Pin
- (G) Wing nut
- (H) Wheels
- (I) Light bulb
- (J) Bulb cover
- (K) Knurled screw
- (L) Cone
- (M) Electrical cable



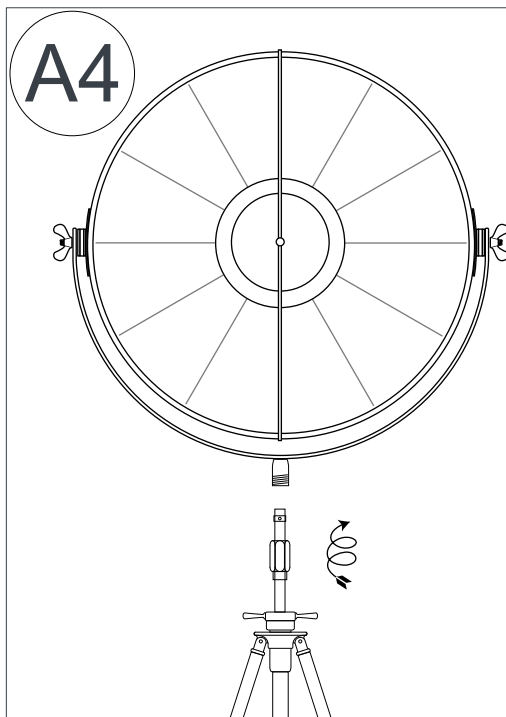
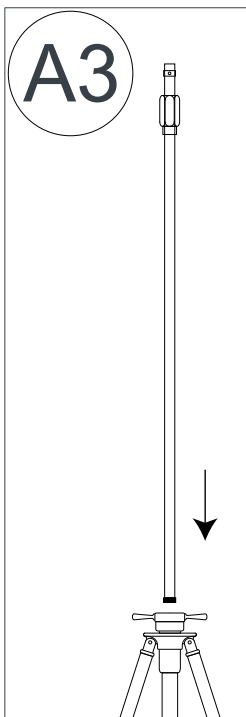
## ASSEMBLY &amp; INSTALLATION:



1. Unscrew hex nut (C) from head (A).



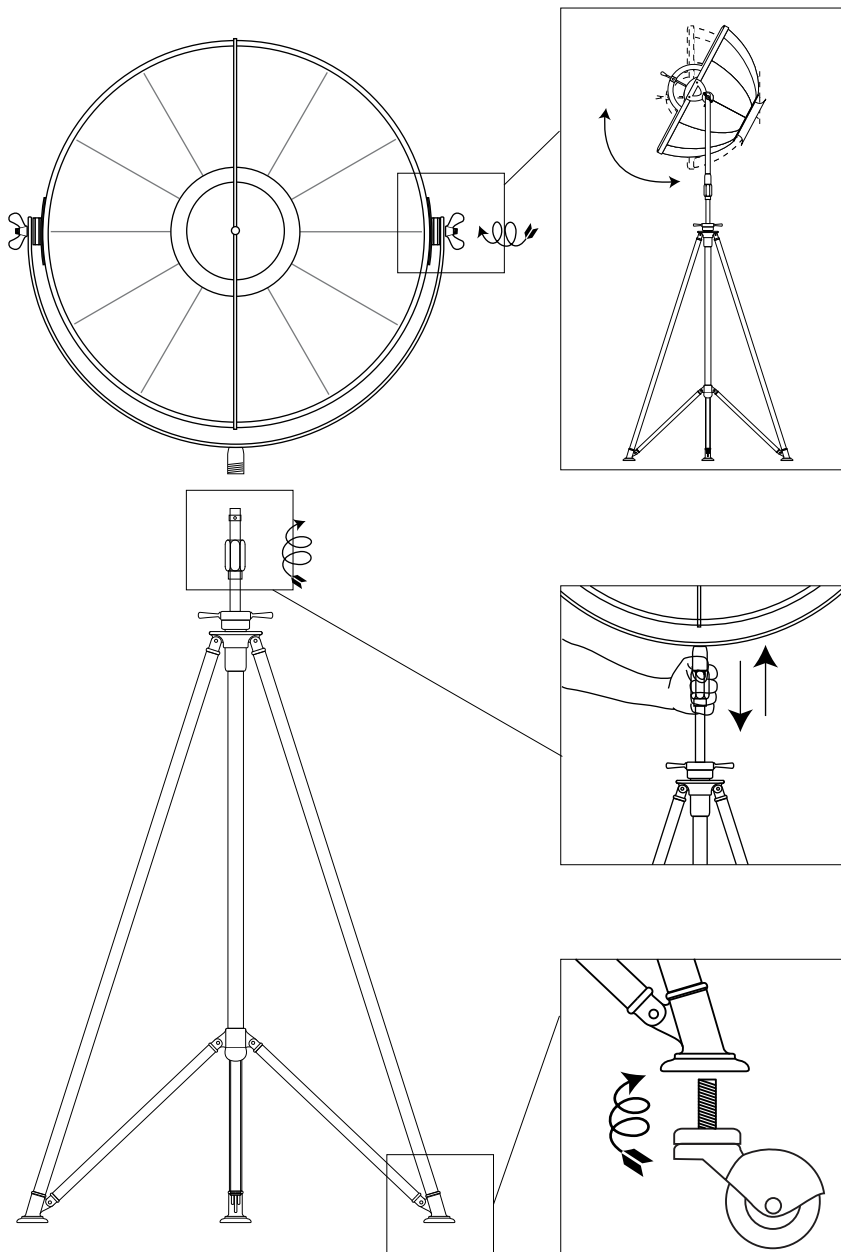
2. Insert rod (B) into hex nut (C)  
(as you can see in the figure).



3. Open the tripod stand (E)  
and unscrew the friction lock (D).  
Insert rod (B) into (D)  
(as you can see in the figure).

4. Now you can insert pin (F) of the head  
onto the top of the rod (B).  
Then lift and screw tight hex nut (C)  
(by hand only).

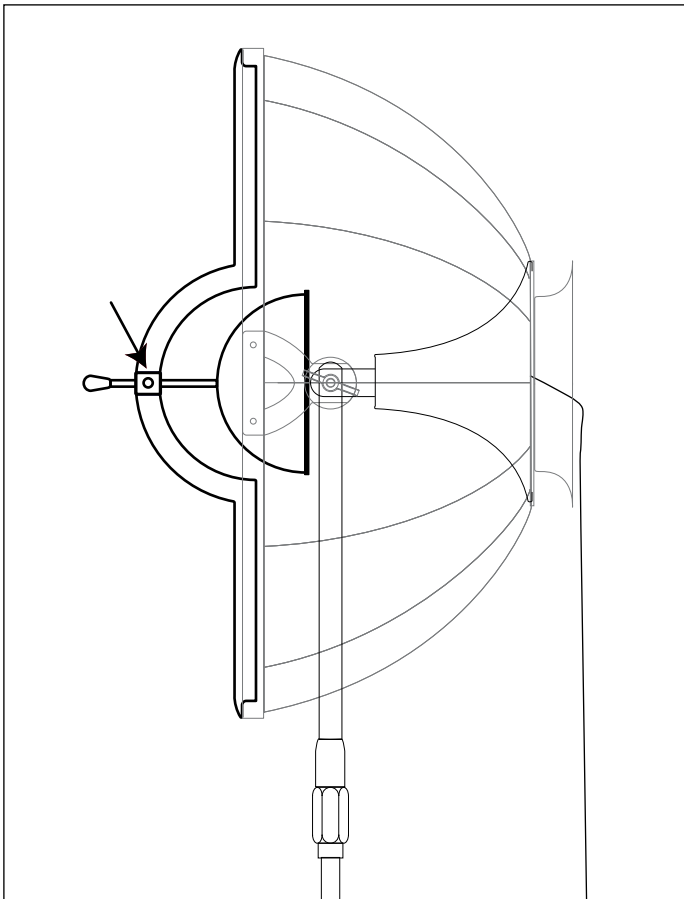
## IMPORTANT PLEASE READ



To tilt head, loosen the wing nuts (G), select the preferred position of the head, then tight the wing nuts (G).

To extend rod (B) unscrew friction lock (D), lift head to the preferred position, then screw friction lock (D).

To remove, loosen or tighten the wheels (H), use a n.8 open-end wrench. The head must not be inserted during these procedures.

**IMPORTANT PLEASE READ**

To replace the bulb, unscrew (K) by hand and pull gently bulb cover (J). Screw the light bulb (max 15W LED E26 dimmable). STUDIO 63 come with crossbar and black bulb cover as shown in the drawing.

**CARE INSTRUCTIONS:**

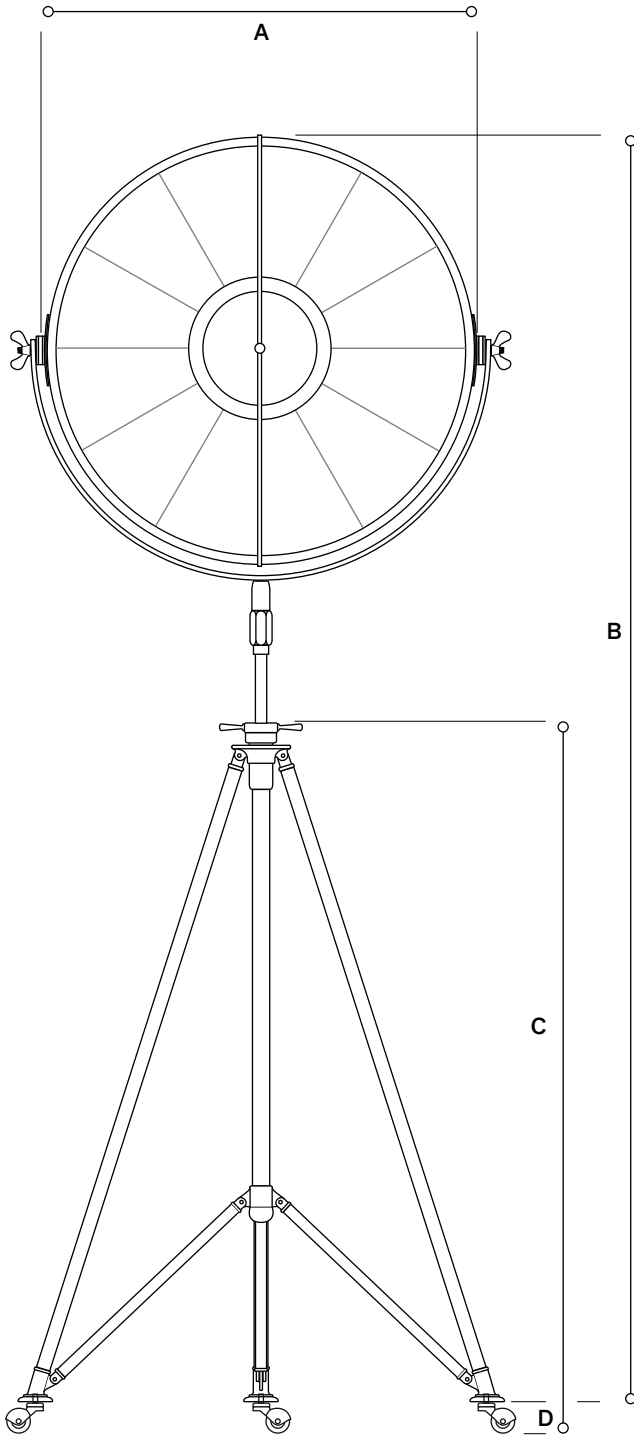
Wipe all surfaces with a soft, dry cloth.

Do not use any harsh cleaners (including ammonia-based products) or abrasives, as they will damage the finish.

The Cone should be cleaned periodically with a soft cloth dampened with water.

The inner part of the lamp should be cleaned periodically only with a soft cloth.

TECHNICAL PRODUCT SHEET:



- A. diffuser diameter ..... 24 1/2 in. (cm 62,5)
- B. standard height ..... 74 in. (cm 190)  
     minimum ..... 68 1/4 in. (cm 175)  
     maximum ..... 82 in. (cm 210)
- C. tripod height ..... 40 1/2 in. (cm 104)
- D. wheels height ..... 2 3/8 in. (cm 6)
- E. diffuser depth ..... 11 3/4 in. (cm 30)
- F. tripod width ..... 30 1/2 in. (cm 78)
- G. tripod depth ..... 27 in. (cm 69)
- weight ..... lb.33 oz.1 (15 kg)

voltage: 110/120V  
 wattage: max 15W LED dimmable  
 socket: E26

