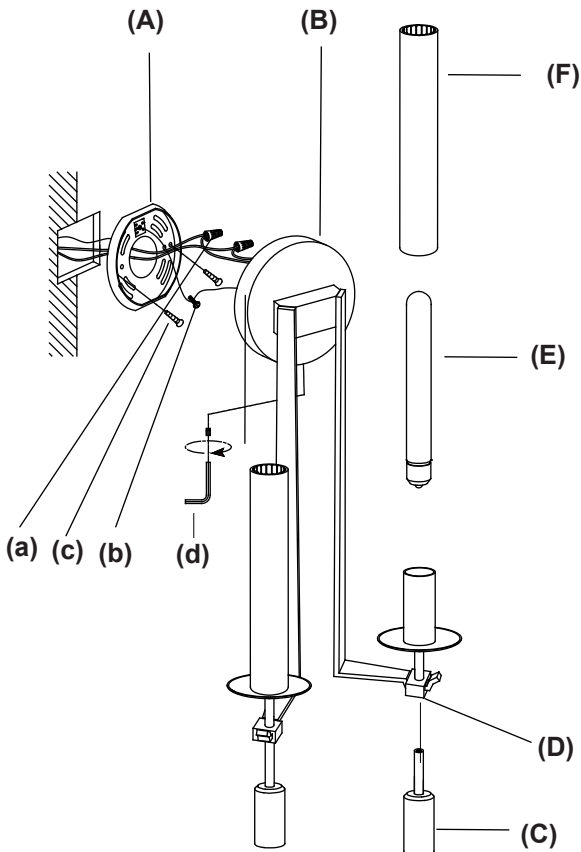


RESTORATION HARDWARE

FONTANELLE DOUBLE SCONCE

PARTS ENCLOSED: HARDWARE INCLUDED:

- | | |
|------------------------|--------------------------------|
| (A) Mounting plate (1) | (a) Plastic wire connector (2) |
| (B) Back plate (1) | (b) Green ground screw (1) |
| (C) Weight (2) | (c) Mounting screw (2) |
| (D) Arm hole (2) | (d) Allen key (1) |
| (E) Bulb (2) | |
| (F) Glass tube (2) | |



IMPORTANT SAFETY INSTRUCTIONS

WE RECOMMEND INSTALLATION BY A LICENSED ELECTRICIAN.
This fixture has been rated for up to (2) 40-watt maximum TYPE T8 bulbs.
To avoid the risk of fire, do not exceed the recommended wattage.
A mechanical dimmer switch can match this lamp .

WARNINGS:

All wires are connected. When unpacking, be careful not to pull wires as a bad connection may result. Do not connect electricity until your lamp is fully assembled.

To reduce the risk of fire, electrical shock, or personal injury, always turn off lamp and allow it to cool prior to replacing bulb.

Do not touch bulb when fixture is turned on or look directly at lit bulb.
Keep flammable materials away from lit bulb.

This lighting fixture contains lead, a chemical know to the State of California to cause cancer, birth defects and other reproductive harm. Wash hands after installing, handling, cleaning or otherwise touching this light fixture.

TO ASSEMBLE:

1. Carefully remove all parts from the box and remove all plastic covering.
2. Turn OFF power to the junction box where the lamp will be installed.
3. Attach the ground wire from the fixture to the ground junction box wire from the outlet box (Usually green or bare wire). Or wrap the fixture's ground wire around Green ground screw (b), and then fix the green ground screw into the Mounting plate (A).
4. Connect the hot wire to the hot junction box wire (usually black or smooth) with a Plastic wire connector (a) and wrap the connection with electrical tape. Connect the neutral wire to the neutral junction box wire (usually white or ribbed) with a Plastic wire connector (a) and wrap the connection with electrical tape.
5. Attach the Mounting plate (A) to the outlet box using the Mounting screws (c). Tighten with a screwdriver.
6. Attach the Back plate (B) to the Mounting plate (A) using the Allen key (d). and tighten it.
7. Insert the 40-watt Type T8 bulbs (included) into threaded sockets. And put the Glass tubes(F) to cover the bulbs.
8. Insert the Weights(C) Into the Arm holes(D) and turn clockwise until the Weights(C) screw into the Arm holes(D). and tighten it.
9. Restore power to the junction box and test lamp fixture.
10. Installation is complete.

CARE INSTRUCTIONS:

Do not use polishes or cleaners on your lamp.
JUST WIPE CLEAN WITH SOFT CLOTH.