

RH

FACETED ORIGAMI TABLE LAMP

PARTS ENCLOSED

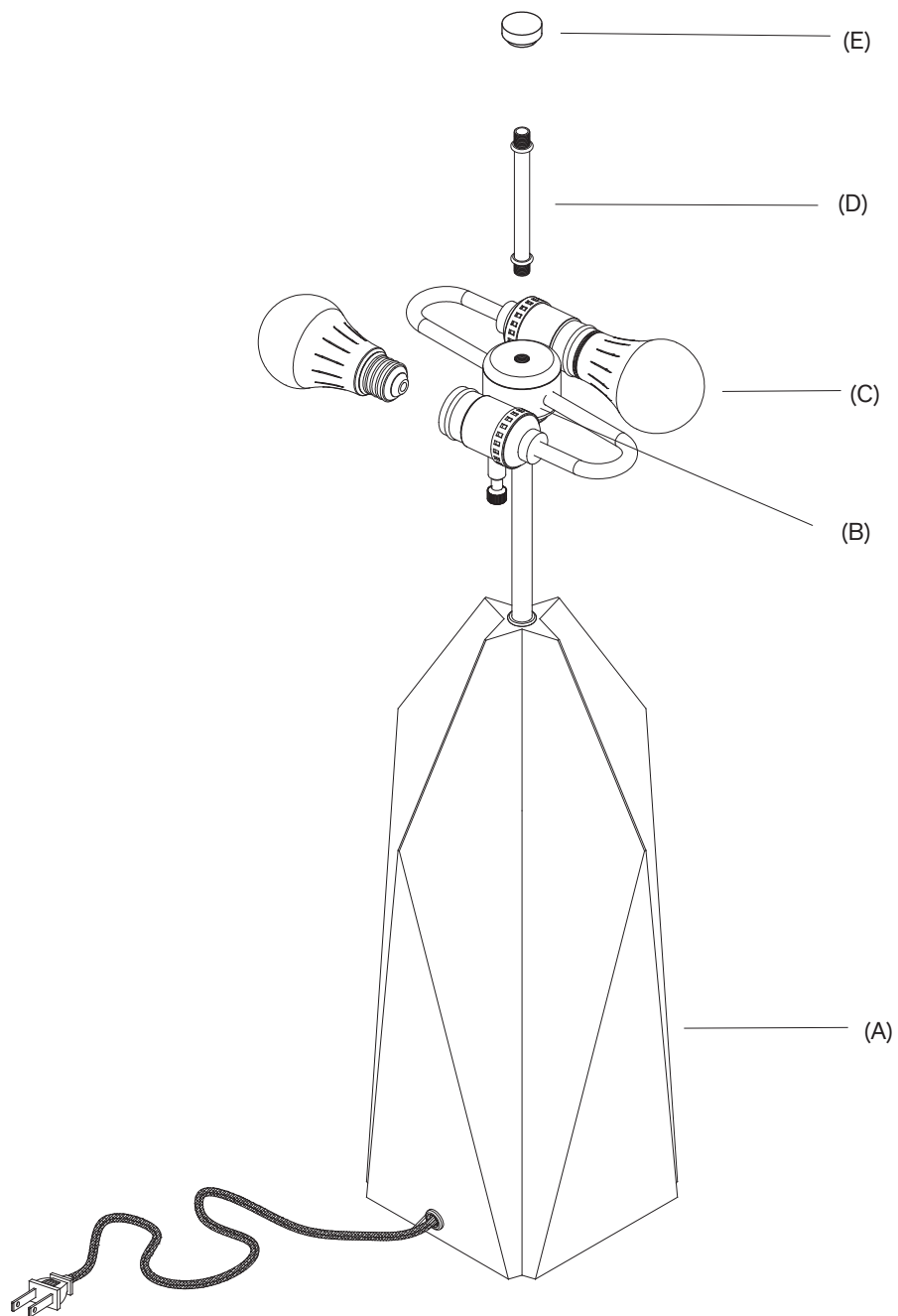
(A) Base (1)

(B) Center box (1)

(C) LED bulbs (2)

(D) Rod (1)

(E) Finial (1)



IMPORTANT SAFETY INSTRUCTIONS

For safety purposes, this lamp is equipped with a polarized plug (one blade is wider than the other). If the plug does not fit securely into your outlet, do not force it - contact a professional electrician. Use the plug with an extension cord only if it can be fully inserted into the cord's socket. Never alter the plug in any way.

This fixture has been rated for up to (2) 60-watt maximum Type A bulbs, or 9W maximum LED bulbs (included). To avoid the risk of fire, do not exceed the recommended wattage.

WARNINGS

All wires are connected. When unpacking, be careful not to pull wires, as a bad connection may result. Do not connect electricity until your fixture is fully assembled. To reduce the risk of fire, electrical shock, or personal injury, always turn off fixture and allow it to cool prior to replacing the lightbulb. Do not touch or look directly at the bulb when fixture is illuminated. Keep flammable materials away from lit bulb.



WARNING: This product can expose you to lead, which is known to the State of California to cause cancer and birth defects or other reproductive harm. For more information, go to www.P65Warnings.ca.gov.

THIS PRODUCT IS NOT A TOY AND HAS NO PLAY VALUE



WARNING STRANGULATION HAZARD
Keep cord at least 3 feet away from cribs, bassinets, and toddler beds. Keep out of reach of children under 3 years of age.

ASSEMBLY & INSTALLATION

1. Carefully remove all parts from the box and remove all plastic coverings.
2. Screw the Rod (D) into the Center box (B) and fully tighten it.
3. Unscrew the Finial (E) from the Rod (D) and place the desired shade, (sold separately).
4. Attach the Finial (E) and tighten to secure the shade.
5. Insert the 9-watt LED bulbs (included) into threaded sockets.

6. Plug into proper electrical outlet and test fixture.

7. Assembly is complete.

CARE INSTRUCTIONS

Do not use polishes or cleaners on the fixture. Wipe clean with a soft, dry cloth.