

RH

DEVAUX GRAND SQUARE SCONCE

ASSEMBLY & INSTALLATION INSTRUCTIONS  
ENGLISH

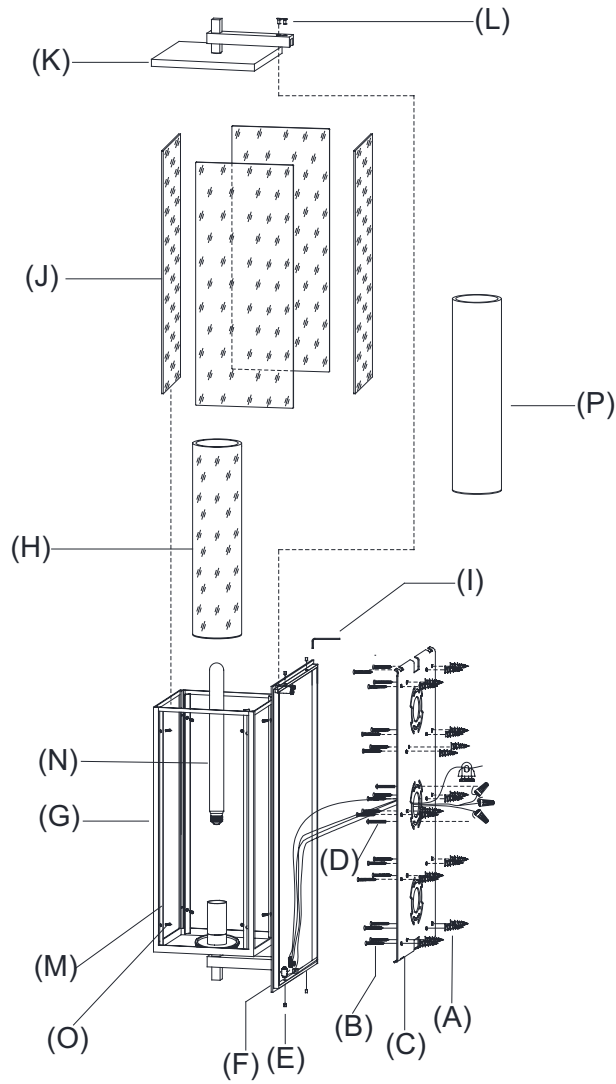
DEVAUX GRAND SQUARE SCONCE

PARTS INCLUDED

- (A) Metal Anchors (20)
- (B) Wood Screws (20)
- (C) Mounting Plate (1)
- (D) Mounting Screws (2)
- (E) Base Screws (4)
- (F) Fixture Base (1)
- (G) Frame (1)
- (H) Clear Glass Shade (1)
- (I) Allen Wrench (1)
- (J) Glass Panels (4)
- (K) Cap (1)
- (L) Set Screws (2)
- (M) Metal Tabs (4)
- (N) Bulb (1)
- (O) Screws (8)
- (P) Frosted Glass Shade (1)

TOOLS NEEDED  
(NOT INCLUDED)

- Phillips-head Screwdriver (1)
- Flathead Screwdriver (1)
- Pencil (1)
- Drill (1)
- Hammer (1)



**IMPORTANT: PLEASE READ**

PLEASE FOLLOW THE ASSEMBLY INSTRUCTIONS CLOSELY. IMPROPER ASSEMBLY OR INSTALLATION CAN RESULT IN PERSONAL OR PROPERTY DAMAGE. MOUNTING HARDWARE HAS BEEN PROVIDED FOR MOUNTING TO A WOODEN STRUCTURAL BEAM. UNIQUE, OR ALTERNATIVE, INSTALLATION TYPES MAY REQUIRE DIFFERENT MOUNTING HARDWARE, WHICH HAS NOT BEEN INCLUDED. ALWAYS CONSULT WITH A LICENSED ELECTRICIAN BEFORE INSTALLATION.

INSTALLATION BY A LICENSED ELECTRICIAN IS STRONGLY RECOMMENDED.

**IMPORTANT SAFETY FEATURES****BULBS**

This fixture has been rated for up to one (1) 40-watt maximum Type T incandescent lightbulb, or up to one (1) 9-watt maximum LED lightbulb. To avoid risk of fire, do not exceed recommended wattage.

**DIMMER SWITCH COMPATIBILITY**

This fixture is dimmer-switch compatible and may only be used with a forward- or reverse-phase dimmer switch.

**WALL REINFORCEMENT**

Fixtures weighing 25 lbs or more will require additional wall reinforcement behind the wall where they are to be installed.



**WARNING:** This product can expose you to lead, which is known to the State of California to cause cancer and birth defects or other reproductive harm. For more information, go to [www.P65Warnings.ca.gov](http://www.P65Warnings.ca.gov).

**OUTDOOR INSTALLATION**

1. Fixture must be mounted at least 4 feet from the ground.
2. Use silicone caulk to seal fixture where the mounting plate meets the surface in order to prevent water from seeping into the fixture.

**WARNINGS**

All wires are connected. When unpacking, be careful not to pull wires, as damage may result. Do not connect electricity until the fixture is fully assembled. To reduce the risk of fire, electrical shock, or personal injury, always turn off fixture and allow it to cool prior to replacing the lightbulb. Do not touch or look directly at the bulb when fixture is illuminated. Keep flammable materials away from lit bulb.

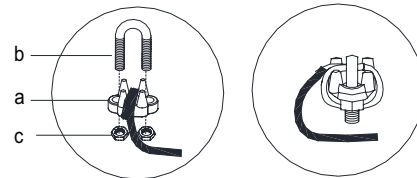
**WARNING: STRANGULATION HAZARD**

Keep cord at least 3 feet away from cribs, bassinets, and toddler beds. Keep out of reach of children under 3 years of age.

THIS PRODUCT IS NOT A TOY AND HAS NO PLAY VALUE.

**SAFETY CABLE INSTALLATION**

1. Run Safety Cable through junction box and around structural support of building.
2. Wrap Safety Cable around Saddle (a) and secure with U-Bolt (b) and Hex Nuts (c).



## ASSEMBLY AND INSTALLATION

**SHUT OFF THE MAIN ELECTRICAL SUPPLY FROM THE FUSE BOX OR CIRCUIT BREAKER PANEL.**

1. Carefully remove all parts from the box and remove all plastic coverings.
2. Remove Mounting Plate (C) from Fixture Base (F) by removing Base Screws (E) using Allen Wrench (I).
3. To determine the mounting height of the fixture, select one set of three universal mounting slots to install.
4. Place Mounting Plate (C) with the selected mounting slots on the wall outlet, mark center point locations for twenty mounting holes with a pencil. Remove Mounting Plate (C).
5. Drill small holes on each point location on the wall, each hole should be big enough to accommodate Metal Anchors (A). Insert Metal Anchors (A) into the holes on the wall.
6. Affix Mounting Plate (C) to the wall outlet box by aligning the holes and secure by inserting Wood Screws (B) into Metal Anchors (A) and Mounting Screws (D) into the wall outlet box.
7. Remove Cap (K) from the top of Frame (G) by removing Set Screws (L).
8. Remove Metal Tabs (M) by loosening Screws (O). Install Glass Panels (J) into Frame (G) and secure with Metal Tabs (M) and Screws (O).
9. Insert Bulb (N) into the socket.
10. Install either Clear Glass Shade (H) or Frosted Glass Shade (P) into the shade holder in the center of Frame (G).
11. Replace Cap (K) to the top of Frame (G) and secure with Set Screws (L).
12. Gently pull the wiring from the wall outlet box and allow the wires to hang. Thread the wires through the center hole in Mounting Plate (C).
13. Connect the steel safety wire from the fixture to the safety cable from the wall. (See instructions on Page 2).
14. Attach the fixture ground wire and house ground wire (usually green insulation or bare) to the wall outlet box with the green grounding screw. Connect fixture wire to corresponding house wire using a wire nut. NOTE: IT IS IMPERATIVE THAT THE OUTLET BOX IN YOUR HOME BE PROPERLY GROUNDED.
15. Connect the fixture neutral wire (white) to the neutral outlet wire (usually white insulation) with a wire nut and wrap the connection with electrical tape.
16. Connect the fixture hot wire (black) to the outlet box hot wire (usually black insulation) with a wire nut and wrap the connection with electrical tape. CAUTION: DO NOT REVERSE THE HOT AND NEUTRAL CONNECTIONS, AS SAFETY WILL BE COMPROMISED.
17. Carefully tuck all wire connections back into the outlet box.
18. Attach Fixture Base (F) to the affixed Mounting Plate (C) and secure with Base Screws (E). Tighten with Allen Wrench (I).
19. Restore power to outlet box and check operation of fixture.
20. Assembly is complete.

## CARE INSTRUCTIONS

Do not use polishes or cleaners on the fixture.  
Wipe clean with a soft, dry cloth.