

RH

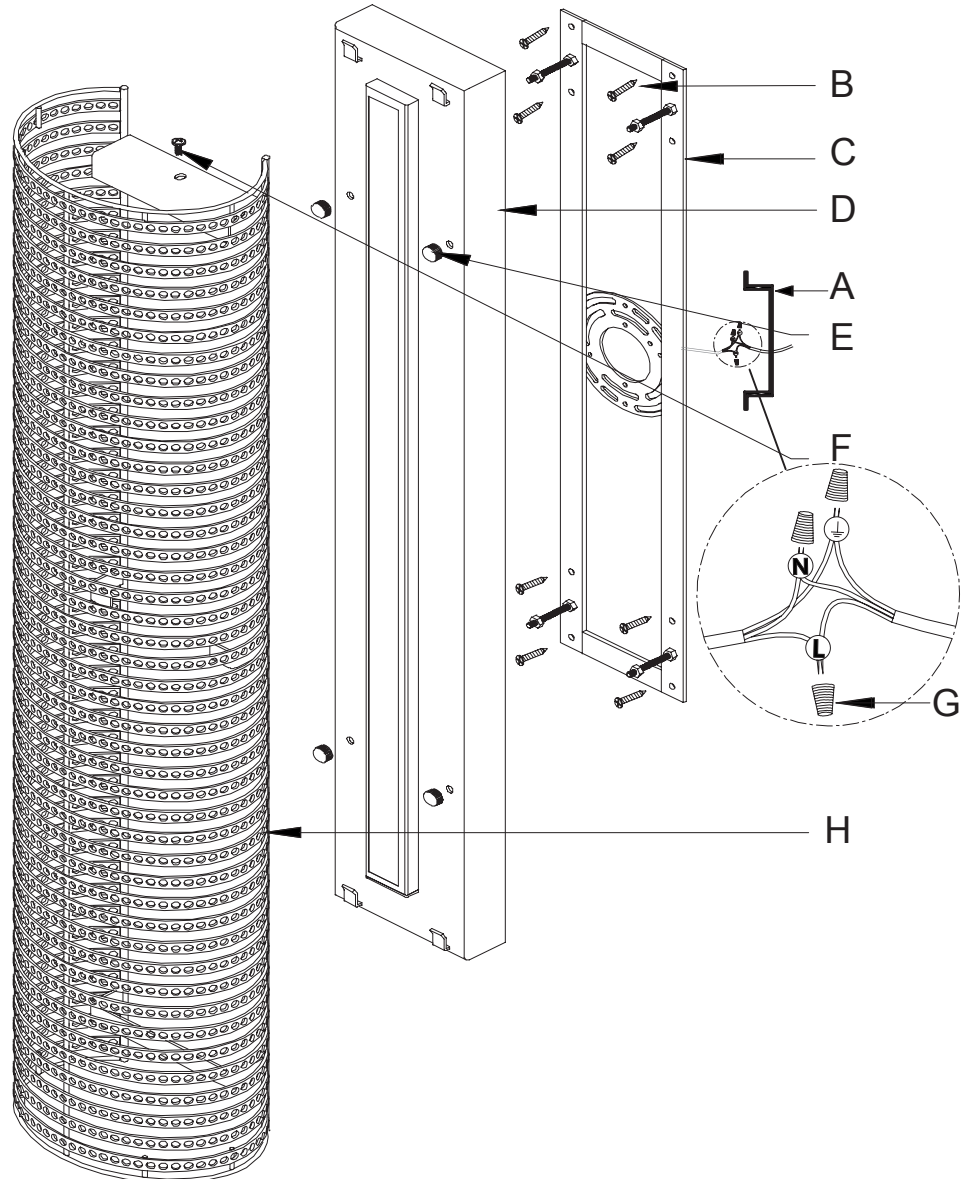
CRYSTAL HALO GRAND SCONCE

PARTS

- (A) Junction Box, 50 lb. (22.7 kg) MIN. FIXTURE RATED (not included)
- (B) Mounting Screws (8 sets; not included)
- (C) Wall Plate (1)
- (D) Bracket (1)
- (E) Screw Caps (4)
- (F) Bolt (1)
- (G) Wire Nuts (3)
- (H) Body (1)

PRODUCT DESCRIPTION

General material: Glass and iron
Width: 5.5 in. (13.8 cm)
Height: 31.5 in. (80 cm)
Depth: 8 in. (20.6 cm)
Weight: 19.4 lb. (8.8 kg)
Grounded/hardwired



PROFESSIONAL INSTALLATION REQUIRED

IMPORTANT SAFETY INSTRUCTIONS

1. Use an authorized and certified electrician for consultation and installation.
2. This fixture has been rated for a 15-watt maximum LED strip.
3. To avoid the risk of fire, do not exceed the recommended wattage.
4. The wall must have the capacity of at least 5 times the weight of the wall light. For this light, a wall capacity of at least 97 lb. (44 kg) is required.
5. The manufacturer and distributor accept no liability for incorrect installation.
6. For indoor use only.
7. Keep away from children.

WARNINGS

1. Turn off electrical supply at main circuit panel before installing. Do not connect electrical supply until your light is fully assembled and installed.
2. All wires are connected. Do not remove the wall light from its packaging by pulling on the power cord, as a bad connection may result.
3. To reduce the risk of fire, electrical shock, or personal injury, always turn off the wall light and allow it to cool prior to replacing LED strip. Do not touch LED strip when fixture is turned on or look directly at strip. Keep flammable materials away from LED strip.
4. Deviation from instructions may result in a risk of fire or electric shock.



WARNING: This product can expose you to lead, which is known to the State of California to cause cancer and birth defects or other reproductive harm. For more information, go to www.P65Warnings.ca.gov.

THIS PRODUCT IS NOT A TOY AND HAS NO PLAY VALUE.



WARNING: STRANGULATION HAZARD
Keep cord at least 3 feet away from cribs, bassinets, and toddler beds. Keep out of reach of children under 3 years of age.

ASSEMBLY & INSTALLATION

1. Carefully remove all parts from the box and remove all plastic coverings.
2. Turn OFF power to junction box where the wall light will be installed.
3. Loosen the screw caps (E), then detach wall plate (C) and wall bracket from body (D).
4. Have a professional contractor reinforce wall.
5. Attach the wall plate (C) to wall with mounting screws (B).
6. Attach the wall bracket (D) to wall plate (C) with screw caps (E).
7. Connect the ground wire from the fixture to the ground junction box wire (usually green or bare copper with a plastic wire nut (G) and wrap the connection with electrical tape. Connect the hot wire to the junction box wire (usually black or smooth) with a plastic wire nut (G) and wrap the connection with electrical tape. Connect the neutral wire to the neutral junction box (usually white or ribbed) with a plastic wire nut (G) and wrap the connection with electrical tape.
8. Attach the body (H) to the wall bracket with bolt (F).
9. Restore power to the junction box (A) and test wall light fixture.
10. Assembly is complete.

CARE INSTRUCTIONS

1. Make sure that power is turned off and LED strip has cooled before handling.
2. Wipe clean with a dry cloth/mild soapy solution. Do not use corrosive cleaners.
3. The cable/cord of this ceiling light cannot be replaced; if the cable is damaged, do not use the light.

ENVIRONMENT

Special waste handling may be required. Please contact your local authorities for more information.