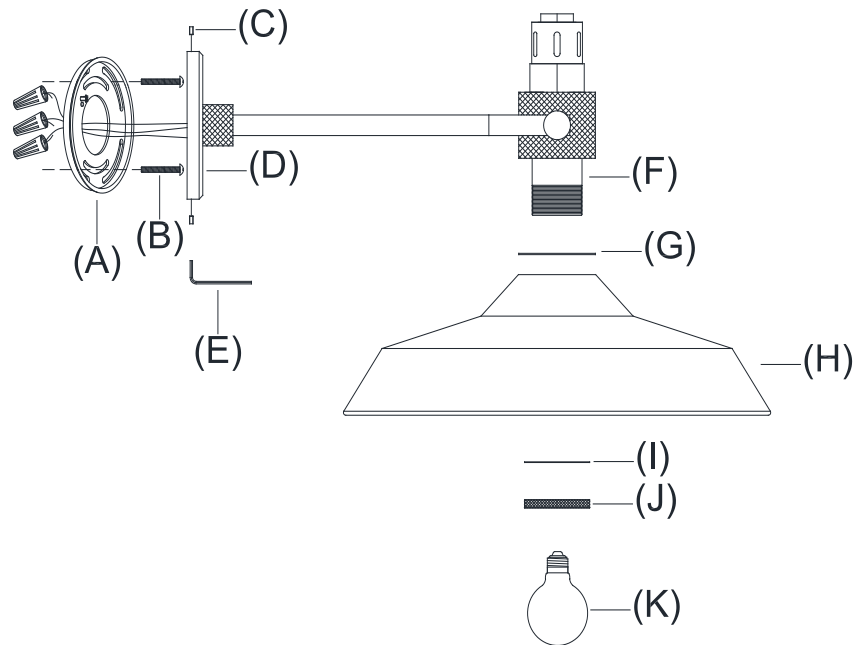


CONDORCET METAL SHADE SCONCE 10"

PARTS ENCLOSED

- (A) Mounting Plate (1)
- (B) Mounting Screws (2)
- (C) Set Screw (1)
- (D) Fixture Base (1)
- (E) Allen Wrench (1)
- (F) Socket (1)
- (G) Plastic Washer (1)
- (H) Shade (1)
- (I) Fiber Washer (1)
- (J) Socket Ring (1)
- (K) Bulb (1)



CONDORCET METAL SHADE SCONCE 10"

IMPORTANT SAFETY INSTRUCTIONS

INSTALLATION BY A LICENSED ELECTRICIAN IS STRONGLY RECOMMENDED.

This fixture has been rated for one (1) 60-Watt maximum Type G16.5 lightbulb (K) (40-Watt G16.5 lightbulb included) OR one (1) 13-Watt CFL lightbulb (not included). To avoid the risk of fire, do not exceed the recommended wattage.

WARNINGS

All wires are connected. When unpacking, be careful not to pull wires, as a bad connection may result. Do not connect electricity until your fixture is fully assembled. To reduce the risk of fire, electrical shock, or personal injury, always turn off fixture and allow it to cool prior to replacing the lightbulb. Do not touch or look directly at the bulb when fixture is illuminated. Keep flammable materials away from lit bulb.



WARNING: This product can expose you to lead, which is known to the State of California to cause cancer and birth defects or other reproductive harm. For more information, go to www.P65Warnings.ca.gov.

THIS IS NOT A TOY AND THE PRODUCT HAS NO PLAY VALUE.



WARNING: STRANGULATION HAZARD

Keep cord at least 3 ft away from cribs, bassinets, and toddler beds. Keep out of reach of children under 3.

OUTDOOR INSTALLATION

SHUT OFF THE MAIN ELECTRICAL SUPPLY FROM THE FUSE BOX OR CIRCUIT BREAKER PANEL.

1. Fixture must be mounted 4 feet from the ground.
2. Use silicone caulk to seal the fixture (where the mounting plate meets the surface) to prevent water from seeping into the fixture.

ASSEMBLY & INSTALLATION

SHUT OFF THE MAIN ELECTRICAL SUPPLY FROM THE FUSE BOX OR CIRCUIT BREAKER PANEL.

1. Carefully remove all parts from the box and remove all plastic covering.
2. Remove Mounting Plate (A) from Fixture Base (D) by unscrewing Set Screw (C) with Wrench (E) in a counter-clockwise direction.
3. Attach Mounting Plate (A) to wall outlet box by aligning the holes and securing with Mounting Screws (B).
4. Gently pull the wire from wall outlet box and allow the wire to hang. Thread the wire through the center hole in Mounting Plate (A).
5. Attach the fixture ground wire (GREEN) and house ground wire (usually green or bare wire) to wall outlet box with the green grounding screw. Connect fixtures to corresponding house wire with a wire nut. Carefully tuck the wires back into the outlet box. IT IS IMPERATIVE THAT THE OUTLET BOX IN YOUR HOME BE PROPERLY GROUNDED.
6. Connect the neutral wire (WHITE) to the neutral outlet wire (usually white) with a plastic wire connector and wrap the connection with electrical tape.
7. Connect the hot wire (BLACK) to the hot outlet box wire (usually black) with a plastic wire connector and wrap the connection with electrical tape. DO NOT REVERSE THE HOT AND NEUTRAL CONNECTIONS; OTHERWISE, SAFETY WILL BE COMPROMISED.
8. Attach Fixture Base (D) to Mounting Plate (A) and secure with Set Screws (C). Tighten with Allen Wrench (E).
9. Remove Socket Ring (J) and Fiber Washer (I) from Socket (F); attach Shade (H) to Socket (F) and secure with Fiber Washer (I) and Socket Ring (J). NOTE: Shade (H) must be in between Plastic Washer (G) and Fiber Washer (I).
10. Insert Bulb (K) into the socket.
11. Restore power to outlet box and check operation of fixture.
12. Assembly is complete.

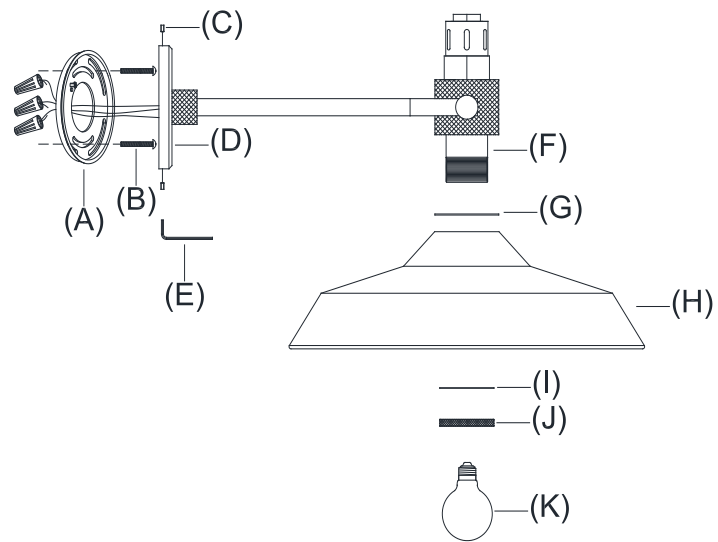
CARE INSTRUCTIONS

Do not use polishes or cleaners on your lamp. Just wipe clean with a soft cloth.

CONDORCET METAL SHADE SCONCE 14"

PARTS ENCLOSED

- (A) Mounting Plate (1)
- (B) Mounting Screws (2)
- (C) Set Screws (1)
- (D) Fixture Base (1)
- (E) Allen Wrench (1)
- (F) Socket (1)
- (G) Plastic Washer (1)
- (H) Shade (1)
- (I) Fiber Washer (1)
- (J) Socket Ring (1)
- (K) Bulb (1)



CONDORCET METAL SHADE SCONCE 14"

IMPORTANT SAFETY INSTRUCTIONS

INSTALLATION BY A LICENSED ELECTRICIAN IS STRONGLY RECOMMENDED.

This fixture has been rated for one (1) 100-Watt maximum Type G25 light bulb (K) (40-Watt G25 light bulb included) OR one (1) 23-Watt CFL light bulb (not included) or one (1) 4.5-Watt SBLED light bulb (not included). To avoid the risk of fire, do not exceed the recommended wattage.

WARNINGS

All wires are connected. When unpacking, be careful not to pull wires, as a bad connection may result. Do not connect electricity until your fixture is fully assembled. To reduce the risk of fire, electrical shock, or personal injury, always turn off fixture and allow it to cool prior to replacing the light bulb. Do not touch or look directly at the bulb when fixture is illuminated. Keep flammable materials away from lit bulb.



WARNING: This product can expose you to lead, which is known to the State of California to cause cancer and birth defects or other reproductive harm. For more information, go to www.P65Warnings.ca.gov.

THIS IS NOT A TOY AND THE PRODUCT HAS NO PLAY VALUE.



WARNING: STRANGULATION HAZARD

Keep cord at least 3 ft away from cribs, bassinets, and toddler beds. Keep out of reach of children under 3.

ASSEMBLY & INSTALLATION

SHUT OFF THE MAIN ELECTRICAL SUPPLY FROM THE FUSE BOX OR CIRCUIT BREAKER PANEL.

- Carefully remove all parts from the box and remove all plastic covering.
- Remove Mounting Plate (A) from Fixture Base (D) by unscrewing Set Screw (C) with Wrench (E) in counter-clockwise direction.
- Attach Mounting Plate (A) to wall outlet box by aligning the holes and secure with Mounting Screws (B).
- Gently pull the wire from wall outlet box and allow the wire to hang. Thread the wire through the center hole in Mounting Plate (A).
- Attach the fixture ground wire (GREEN) and house ground wire (usually green or bare wire) to wall outlet box with the green grounding screw. Connect fixtures to corresponding house wire with a wire nut. Carefully tuck the wires back into the outlet box. IT IS IMPERATIVE THAT THE OUTLET BOX IN YOUR HOME BE PROPERLY GROUNDED.
- Connect the neutral wire (WHITE) to the neutral outlet wire (usually white) with a plastic wire connector and wrap the connection with electrical tape.
- Connect the hot wire (BLACK) to the hot outlet box wire (usually black) with a plastic wire connector and wrap the connection with electrical tape. DO NOT REVERSE THE HOT AND NEUTRAL CONNECTIONS; OTHERWISE, SAFETY WILL BE COMPROMISED.
- Attach Fixture Base (D) to Mounting Plate (A) and secure with Set Screws (C). Tighten with Allen Wrench (E).
- Remove Socket Ring (J) and Fiber Washer (I) from Socket (F); attach Shade (H) to Socket (F) and secure with Fiber Washer (I) and Socket Ring (J). NOTE: Shade (H) must in between Plastic Washer (G) and Fiber Washer (I).
- Insert Bulb (K) into the socket.
- Restore power to outlet box and check operation of fixture.
- Assembly is complete.

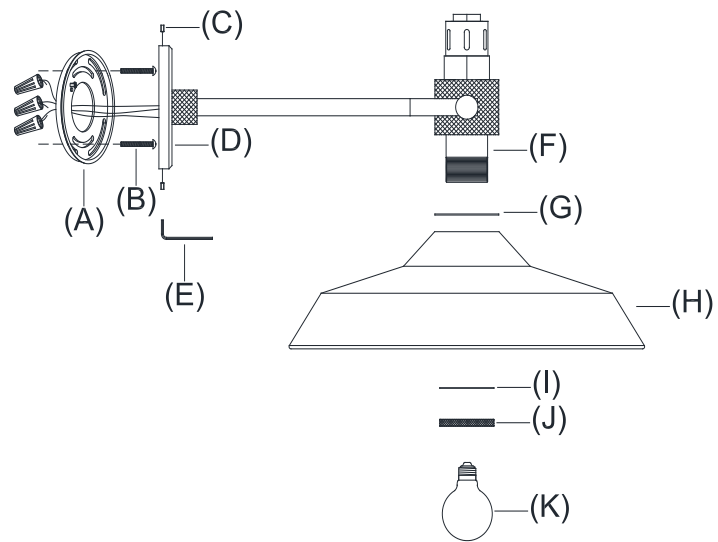
CARE INSTRUCTIONS

Do not use polishes or cleaners on your lamp. Just wipe clean with a soft cloth.

CONDORCET METAL SHADE SCONCE 18"

PARTS ENCLOSED

- (A) Mounting Plate (1)
- (B) Mounting Screws (2)
- (C) Set Screws (1)
- (D) Fixture Base (1)
- (E) Allen Wrench (1)
- (F) Socket (1)
- (G) Plastic Washer (1)
- (H) Shade (1)
- (I) Fiber Washer (1)
- (J) Socket Ring (1)
- (K) Bulb (1)



CONDORCET METAL SHADE SCONCE 18"

IMPORTANT SAFETY INSTRUCTIONS

INSTALLATION BY A LICENSED ELECTRICIAN IS STRONGLY RECOMMENDED.

This fixture has been rated for one (1) 100-Watt maximum Type G25 light bulb (K) (40-Watt G25 light bulb included) OR one (1) 23-Watt CFL light bulb (not included) or one (1) 4.5-Watt SBLED light bulb (not included). To avoid the risk of fire, do not exceed the recommended wattage.

WARNINGS

All wires are connected. When unpacking, be careful not to pull wires, as a bad connection may result. Do not connect electricity until your fixture is fully assembled. To reduce the risk of fire, electrical shock, or personal injury, always turn off fixture and allow it to cool prior to replacing the light bulb. Do not touch or look directly at the bulb when fixture is illuminated. Keep flammable materials away from lit bulb.



WARNING: This product can expose you to lead, which is known to the State of California to cause cancer and birth defects or other reproductive harm. For more information, go to www.P65Warnings.ca.gov.

THIS IS NOT A TOY AND THE PRODUCT HAS NO PLAY VALUE.



WARNING: STRANGULATION HAZARD

Keep cord at least 3 ft away from cribs, bassinets, and toddler beds. Keep out of reach of children under 3.

ASSEMBLY & INSTALLATION

SHUT OFF THE MAIN ELECTRICAL SUPPLY FROM THE FUSE BOX OR CIRCUIT BREAKER PANEL.

- Carefully remove all parts from the box and remove all plastic covering.
- Remove Mounting Plate (A) from Fixture Base (D) by unscrewing Set Screw (C) with Wrench (E) in counter-clockwise direction.
- Attach Mounting Plate (A) to wall outlet box by aligning the holes and secure with Mounting Screws (B).
- Gently pull the wire from wall outlet box and allow the wire to hang. Thread the wire through the center hole in Mounting Plate (A).
- Attach the fixture ground wire (GREEN) and house ground wire (usually green or bare wire) to wall outlet box with the green grounding screw. Connect fixtures to corresponding house wire with a wire nut. Carefully tuck the wires back into the outlet box. IT IS IMPERATIVE THAT THE OUTLET BOX IN YOUR HOME BE PROPERLY GROUNDED.
- Connect the neutral wire (WHITE) to the neutral outlet wire (usually white) with a plastic wire connector and wrap the connection with electrical tape.
- Connect the hot wire (BLACK) to the hot outlet box wire (usually black) with a plastic wire connector and wrap the connection with electrical tape. DO NOT REVERSE THE HOT AND NEUTRAL CONNECTIONS; OTHERWISE, SAFETY WILL BE COMPROMISED.
- Attach Fixture Base (D) to Mounting Plate (A) and secure with Set Screws (C). Tighten with Allen Wrench (E).
- Remove Socket Ring (J) and Fiber Washer (I) from Socket (F); attach Shade (H) to Socket (F) and secure with Fiber Washer (I) and Socket Ring (J). NOTE: Shade (H) must in between Plastic Washer (G) and Fiber Washer (I).
- Insert Bulb (K) into the socket.
- Restore power to outlet box and check operation of fixture.
- Assembly is complete.

CARE INSTRUCTIONS

Do not use polishes or cleaners on your lamp. Just wipe clean with a soft cloth.