

# RH

CHIARA TIERED ROUND CHANDELIER 37"

ASSEMBLY & INSTALLATION INSTALLATIONS

**UNITED STATES ENGLISH**

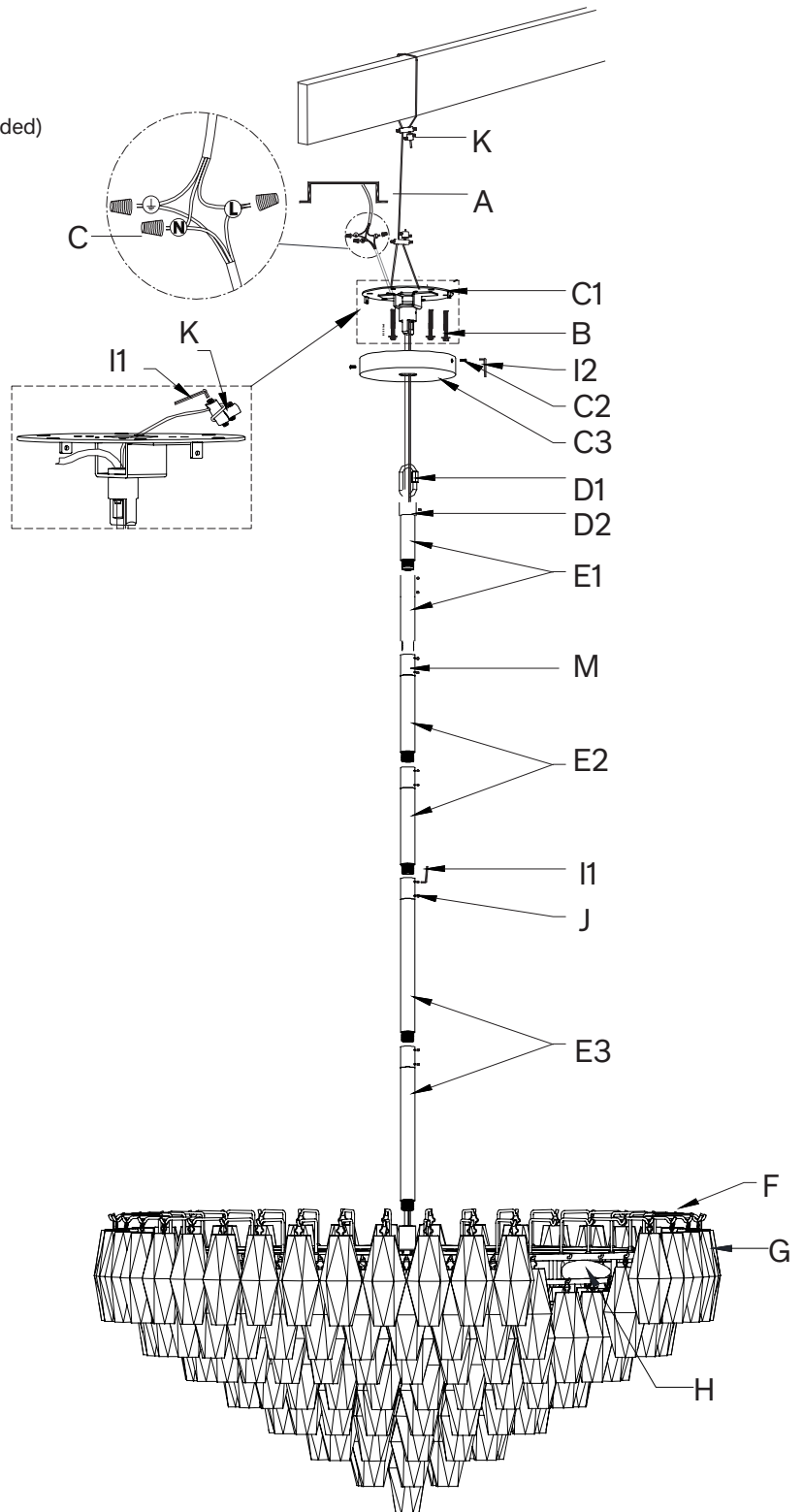
**CHIARA TIERED ROUND CHANDELIER 37"**

**PARTS INCLUDED:**

- (A) Junction Box, 50 lb./22.7 kg MIN. FIXTURE RATED (not included)
- (B) Mounting Screws (4 Pcs; not included)
- (C) Wire Nuts (3)
- (C1) Ceiling Plate (1)
- (C2) Canopy (1)
- (C3) Bolts (2 +1 extra)
- (D1) Quick Links (1)
- (D2) Hanging loop (1)
- (E1) Extension Rods (2)
- (E2) Extension Rods (2)
- (E3) Extension Rods (2)
- (F) Fixture Body (1)
- (G1) Glass drops +Spare (169 + 5 extra)
- (H) Bulbs (14)
- (I1) Small Allen Key (1)
- (I2) Large Allen Key (1)
- (J) Set Bolts (21 + 5 extra)
- (K) Safety Cables (1)
- (M) Threaded Joints (5)

**PRODUCT DESCRIPTION**

General material: Glass and iron  
 Height: 17.5 in. (44.5 cm)  
 Diameter: 36.75 in. (93.3 cm)  
 Weight: 122.47 lb. (55.6 kg)  
 Grounded/hardwired



**IMPORTANT: PLEASE READ**

PLEASE FOLLOW THE ASSEMBLY INSTRUCTIONS CLOSELY. IMPROPER ASSEMBLY OR INSTALLATION CAN RESULT IN PERSONAL OR PROPERTY DAMAGE. MOUNTING HARDWARE HAS BEEN PROVIDED FOR MOUNTING TO A WOODEN STRUCTURAL BEAM. UNIQUE OR ALTERNATIVE INSTALLATION TYPES MAY REQUIRE DIFFERENT MOUNTING HARDWARE, WHICH HAS NOT BEEN INCLUDED. ALWAYS CONSULT WITH A LICENSED ELECTRICIAN BEFORE INSTALLATION. INSTALLATION BY A LICENSED ELECTRICIAN IS STRONGLY RECOMMENDED.

**IMPORTANT SAFETY FEATURES**

**BULBS**

This fixture has been rated for up to fourteen (14) 25-watt maximum E12 incandescent bulbs. To avoid the risk of fire, do not exceed the recommended wattage.

**VAULTED CEILING COMPATIBILITY**

This fixture is not vaulted-ceiling compatible.

**DIMMER SWITCH COMPATIBILITY**

This fixture is dimmer-switch compatible, and may only be used with a dimmer switch.

**CEILING REINFORCEMENT**

Fixtures weighing 50 lb. or more will require additional reinforcement above the ceiling where they are to be installed.

**WARNINGS**

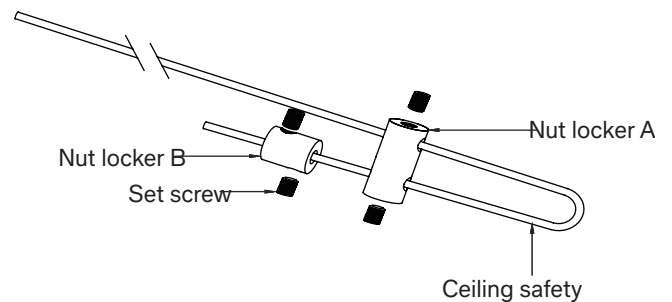
All wires are connected. When unpacking, be careful not to pull wires, as damage may result. Do not connect electricity until the fixture is fully assembled. To reduce the risk of fire, electrical shock, or personal injury, always turn off fixture and allow it to cool prior to replacing the lightbulb. Do not touch or look directly at the bulb when fixture is illuminated. Keep flammable materials away from lit bulb.

**WARNING: STRANGULATION HAZARD**

Keep cord at least 3 feet away from cribs, bassinets, and toddler beds. Keep out of reach of children under 3 years of age.

**THIS PRODUCT IS NOT A TOY AND HAS NO PLAY VALUE. INSTALL SAFETY CABLE:**

1. Remove the nut locker A & B by loosening the set screw from the ceiling safety cable before installation.
2. Insert the ceiling safety cable through the nut lockers as the drawing shows.
3. Fasten the nut locker A with set screw by small allen key.
4. Fasten the nut locker B with set screw by small allen key.



**ASSEMBLY AND INSTALLATION****SHUT OFF THE MAIN ELECTRICAL SUPPLY FROM THE FUSE BOX OR CIRCUIT BREAKER PANEL.**

1. Carefully remove all parts from the box and remove all plastic coverings.
2. Turn OFF power to junction box where the ceiling light will be installed.
3. Loosen the bolts (C3) from the canopy (C2) and remove the ceiling plate (C1) from the canopy (C2).
4. Attach ceiling plate (C1) to the ceiling with mounting screws (B).
5. Attach the extension rod (from E3 to E1) into the fixture body (F), then tighten the set bolt (J) by small allen key (I1).
6. Attach the extension rod (E1) to the collar of the ceiling plate (C1) with quick link (D1).
7. Have a professional contractor reinforce ceiling. Attach the safety cable (K) to ceiling beam through the junction box (A), then attach the safety cable to the fixture on the ceiling with the nut locker.
8. Carefully inspect the chandelier's two fixture wires. One has very fine ridges molded into the plastic covering – this is the neutral wire. The second wire's covering is smooth – this is the hot wire. The bare wire is the ground wire.
9. Connect the ground wire from the fixture with the ground wire (usually bare) from your ceiling box using the wire nut (C). If your house does not have a ground wire, then attach the ground wire from the fixture to the green grounding screw inside of the outlet box. IT IS IMPERATIVE THAT THE OUTLET BOX IN YOUR HOME BE PROPERLY GROUNDED
10. Connect the neutral wire from your fixture with the neutral wire (usually white) from your ceiling box using the wire nut (C).
11. Connect the hot wire from your fixture with the hot wire (usually black) from your outlet box using the wire nut (C). DO NOT REVERSE THE HOT AND NEUTRAL CONNECTIONS; OTHERWISE, SAFETY WILL BE COMPROMISED
12. Move the canopy (C2) up to the ceiling plate (C1), then fasten the screw bolt (C3).
13. Fasten lightbulbs (H) to the lampholders.
14. Hang the glass drops (G) from the inner to the outer layer and keep flat surface of glass drop inside. To ensure safety of chandelier during glass drop installation, please maintain level of chandelier by ensuring you install glass drops in balanced way on opposite ends of light.
15. Restore power to the junction box and test ceiling light fixture.
16. Assembly is complete.

**ATTENTION: ADJUSTING THE HANG HEIGHT**

Any adjustments or alterations to the fixture, cord, or overall hang height that differ from those detailed on RH.com will void the Laboratory Listing and Approvals (UL, ETL, CSA, etc.). If the listing is voided, this means the product may no longer be safe for use as modified. RH does not recommend modifying the product.

**CARE INSTRUCTIONS**

Do not use polishes or cleaners on the fixture. Wipe clean with a soft, dry cloth.