

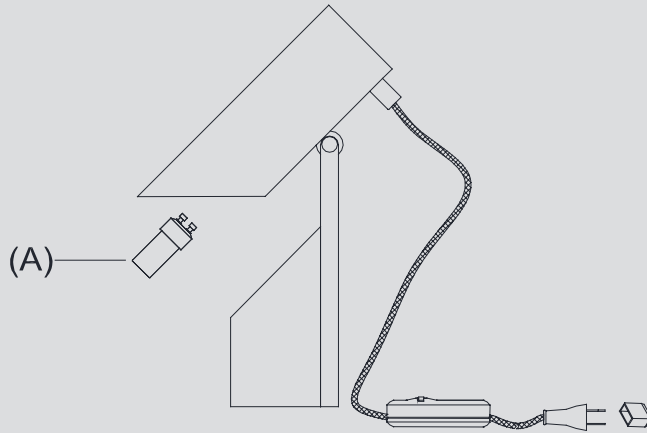
RH

CHAMPEAUX 10" FOLDING SPOTLIGHT
ASSEMBLY & INSTALLATION INSTRUCTIONS
ENGLISH

CHAMPEAUX 10" FOLDING SPOTLIGHT

PARTS INCLUDED

- (A) Bulb (1)



IMPORTANT: PLEASE READ

PLEASE FOLLOW THE ASSEMBLY INSTRUCTIONS CLOSELY. IMPROPER ASSEMBLY OR INSTALLATION CAN RESULT IN PERSONAL OR PROPERTY DAMAGE.

IMPORTANT SAFETY FEATURES**BULBS**

This lamp has been rated for up to one (1) 40-watt maximum Type T incandescent lightbulb or one (1) 9-watt maximum compact fluorescent lightbulb. To avoid the risk of fire, do not exceed the recommended wattage.

DIMMER SWITCH COMPATIBILITY

This fixture is dimmer-switch compatible, and may only be used with a forward-phase dimmer switch.

WARNINGS

All wires are connected. When unpacking, be careful not to pull wires, as damage may result. Do not connect electricity until the lamp is fully assembled. To reduce the risk of fire, electrical shock or personal injury, always turn off lamp and allow it to cool prior to replacing the lightbulb. Do not touch or look directly at the bulb when lamp is illuminated. Keep flammable materials away from lit bulb.



WARNING: This product can expose you to lead, which is known to the State of California to cause cancer and birth defects or other reproductive harm. For more information, go to www.P65Warnings.ca.gov.

WARNING: STRANGULATION HAZARD

Keep cord at least 3 feet away from cribs, bassinets and toddler beds. Keep out of reach of children under 3 years of age.

THIS PRODUCT IS NOT A TOY AND HAS NO PLAY VALUE.

ASSEMBLY AND INSTALLATION

1. Carefully remove all parts from the box and remove all plastic coverings.
2. Insert Bulb (A) into the socket.
3. Plug into electrical outlet and test lamp.

CARE INSTRUCTIONS

Do not use polishes or cleaners on the lamp. Wipe clean with a soft, dry cloth.