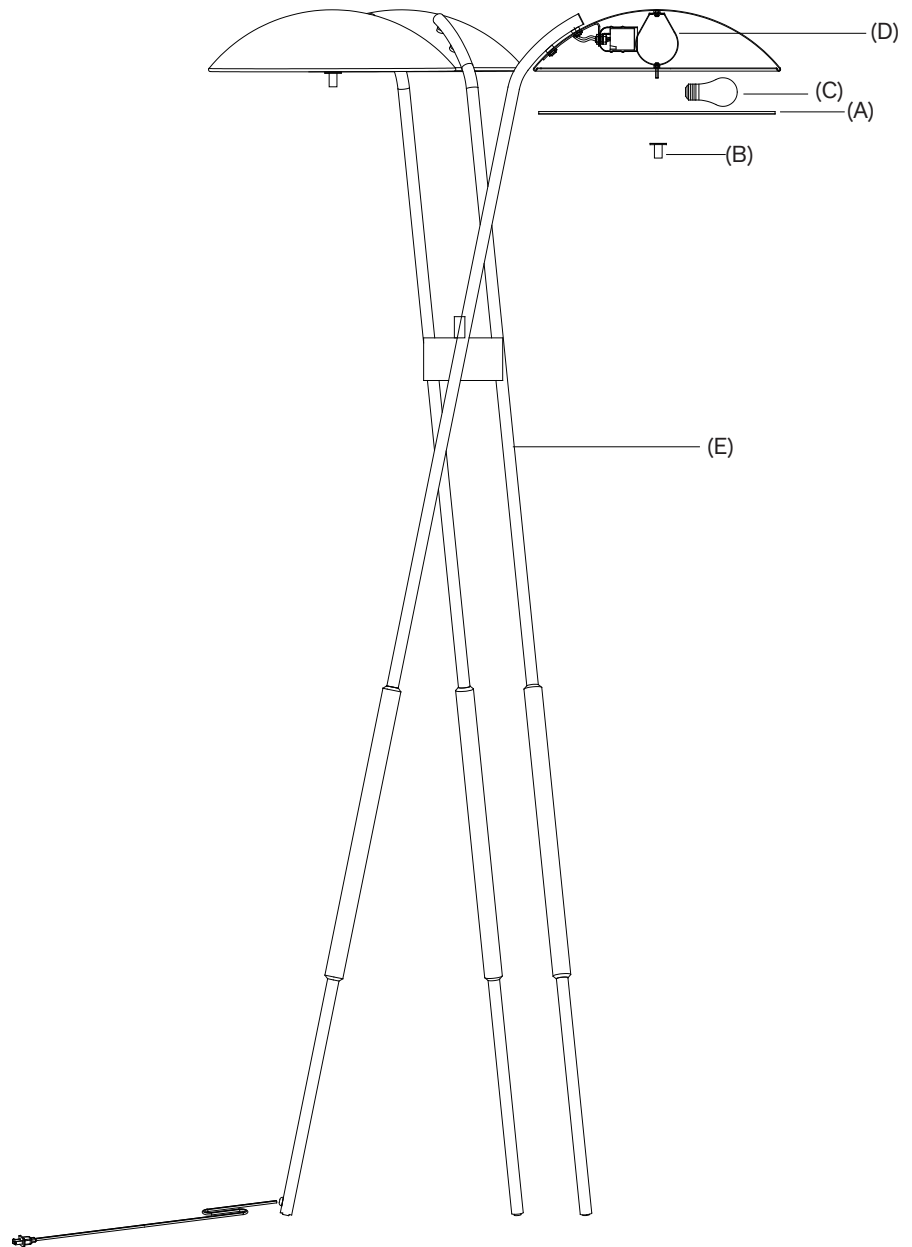


# RH

## CARLSON TRIPOD FLOOR LAMP

### PARTS ENCLOSED

- (A) Diffuser
- (B) Finial
- (C) Bulb (3)
- (D) Harp
- (E) Lamp Body



## IMPORTANT SAFETY INSTRUCTIONS

This portable luminaire has a polarized plug (one blade is wider than the other) as a feature to reduce the risk of electric shock.

This plug will fit in a polarized outlet only one way. If the plug does not fit fully in the outlet, reverse the plug. If it still does not fit, contact a qualified electrician. Never use with an extension cord unless plug can be fully inserted. Do not alter the plug.

This fixture has been rated for one (3) 5-Watt Type A15 Dimmable LED lightbulb (included). To avoid the risk of fire, do not exceed the recommended wattage.

## WARNINGS

All wires are connected. When unpacking, be careful not to pull wires, as a bad connection may result. Do not connect electricity until your fixture is fully assembled. To reduce the risk of fire, electrical shock, or personal injury, always turn off fixture and allow it to cool prior to replacing the lightbulb. Do not touch or look directly at the bulb when fixture is illuminated. Keep flammable materials away from lit bulb.



**WARNING:** This product can expose you to lead, which is known to the State of California to cause cancer and birth defects or other reproductive harm. For more information, go to [www.P65Warnings.ca.gov](http://www.P65Warnings.ca.gov).

**THIS PRODUCT IS NOT A TOY AND HAS NO PLAY VALUE.**



**WARNING: STRANGULATION HAZARD**

Keep cord at least 3 feet away from cribs, bassinets, and toddler beds. Keep out of reach of children under 3 years of age.

## ASSEMBLY & INSTALLATION

1. Carefully remove all parts from the box and remove all plastic coverings.
2. Place the Lamp Body (E) on the floor.
3. Screw off the Finial (B) in a counterclockwise direction and take off the Diffuser (A) from the Harp (D).
4. Insert the Bulb (C) into the socket.
5. Attach the Diffuser (A) to the Harp (D) and secure with the Finial (B).
6. Assembly is complete.
7. Plug into proper electrical outlet and test fixture.

## CARE INSTRUCTIONS

Wipe all surfaces with a soft, dry cloth. Do not use any harsh cleaners (including ammonia-based products) or abrasives on your lamp, as they will damage the finish.