

RH

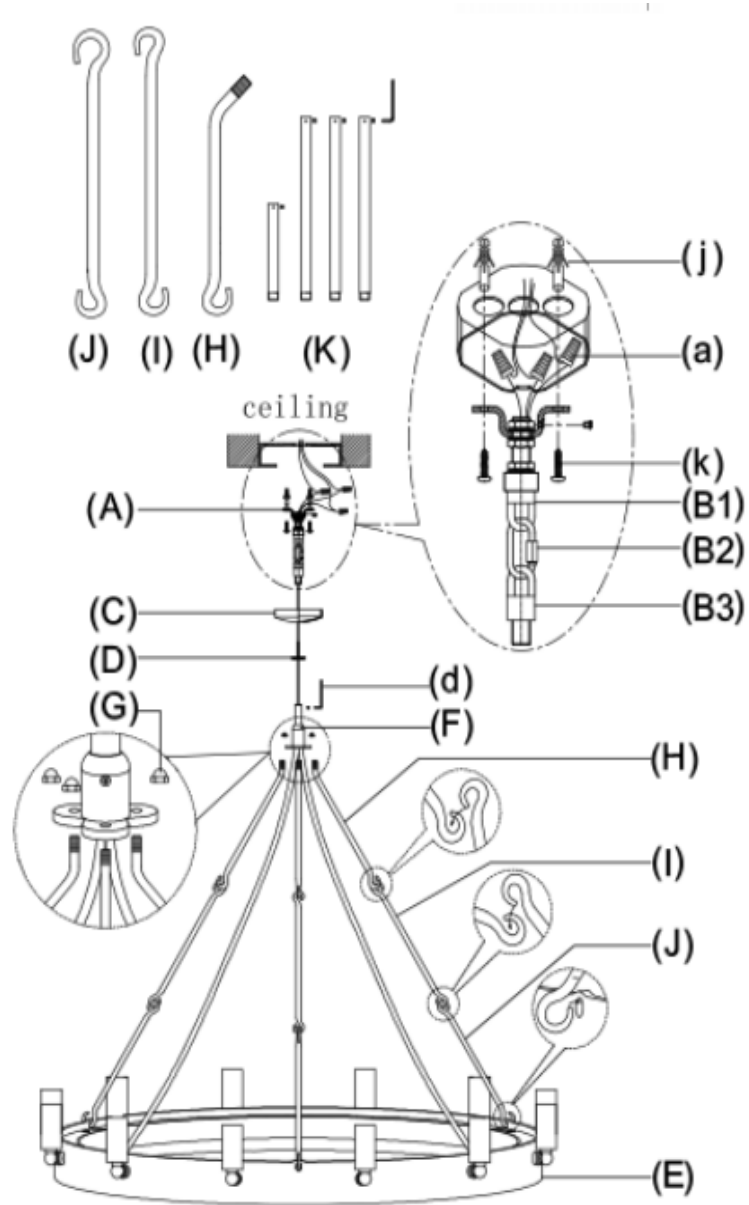
CAMINO VINTAGE ONE-TIER ROUND CHANDELIER "

ASSEMBLY & INSTALLATION INSTRUCTIONS

CAMINO COLLECTION CAMINO VINTAGE ONE-TIER ROUND CHANDELIER "

PARTS INCLUDED

- (A) Mounting Plate(1)
- (B1) Upper D-Ring(1)
- (B2) Carabiner(1)
- (B3) Lower D-Ring(1)
- (C) Canopy(1)
- (D) Canopy Ring(1)
- (E) Base(1)
- (F) Tube(1)
- (G) Nut(4)
- (H) Hook3(3)
- (I) Hook2(3)
- (J) Hook1(3)
- (K) Extension Rod(4), 6" Rod(1)
and 12" Rod(3)
- (a) Plastic Wire Connector(3)
- (d) Allen Key(1)
- (j) Big Ceiling Anchors(2)
- (k) M6 Round Head Wall Screw(2)
or G1/4-20T Round Head Screw(2)



IMPORTANT: PLEASE READ

PLEASE FOLLOW THE ASSEMBLY INSTRUCTIONS CLOSELY. IMPROPER ASSEMBLY OR INSTALLATION CAN RESULT IN PERSONAL OR PROPERTY DAMAGE. MOUNTING HARDWARE HAS BEEN PROVIDED FOR MOUNTING TO A WOODEN STRUCTURAL BEAM. UNIQUE OR ALTERNATIVE INSTALLATION TYPES MAY REQUIRE DIFFERENT MOUNTING HARDWARE, WHICH HAS NOT BEEN INCLUDED. ALWAYS CONSULT WITH A LICENSED ELECTRICIAN BEFORE INSTALLATION.

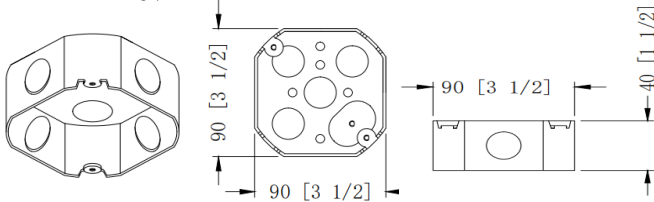
INSTALLATION BY A LICENSED ELECTRICIAN IS STRONGLY RECOMMENDED.

IMPORTANT SAFETY FEATURES**BULB**

This fixture has been rated for up to 25-watt maximum Type T or Type CA incandescent lightbulbs. To avoid the risk of fire, do not exceed the recommended wattage.

J-BOX SIZING

The J-box width and length are 3.5 inches, depth is 1.5 inches, the detailed sizing pls refer to below sketch.

**VAULTED CEILING COMPATIBILITY**

This fixture is vaulted-ceiling compatible, up to a maximum ceiling slope of any degrees.

DIMMER SWITCH COMPATIBILITY

This fixture is not dimmer-switch compatible.

CEILING REINFORCEMENT

Fixtures weighing 50 lb. or more will require additional reinforcement above the ceiling where they are to be installed.

WARNINGS

All wires are connected. When unpacking, be careful not to pull wires, as damage may result. Do not connect electricity until the fixture is fully assembled. To reduce the risk of fire, electrical shock, or personal injury, always turn off fixture and allow it to cool prior to replacing the lightbulb. Do not touch or look directly at the bulb when fixture is illuminated. Keep flammable materials away from lit bulb.

WARNING: STRANGULATION HAZARD

Keep cord at least 3 feet away from cribs, bassinets, and toddler beds. Keep out of reach of children under 3 years of age.

THIS PRODUCT IS NOT A TOY AND HAS NO PLAY VALUE.

HEIGHT ADJUSTMENT INSTRUCTIONS

1. If you need to adjust the cord length, use a screwdriver to remove all screws on the metal cover (refer to illustration 1)

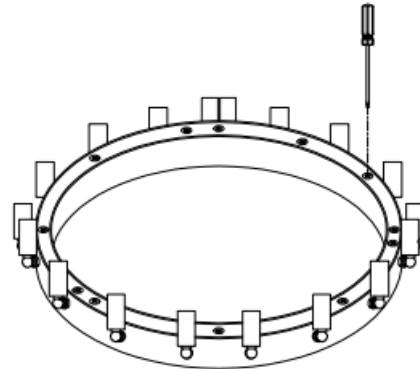


ILLUSTRATION 1

2. Open and remove the metal cover to expose the cord connectors. Use the screwdriver to loosen the screws on the cord connectors, adjust the cord to the desired length (refer to illustration 2), then retighten the screws. Make sure all the cord lengths are the same to keep the fixture level.

3. Put the metal cover back on and make sure all screws are tight.

4. Keep the cord length as is unless an adjustment is necessary.

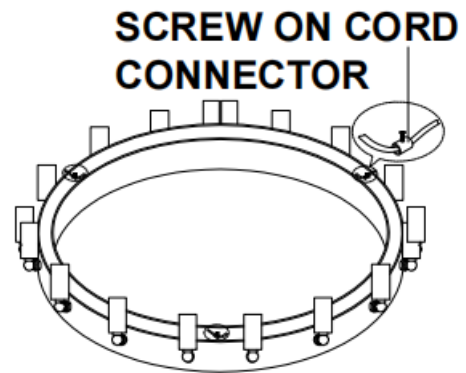


ILLUSTRATION 2

ASSEMBLY AND INSTALLATION

SHUT OFF THE MAIN ELECTRICAL SUPPLY FROM THE FUSE BOX OR CIRCUIT BREAKER PANEL.

1. Carefully remove all parts from the box and remove plastic coverings.
2. Turn OFF power to the junction box where the fixture will be installed.
3. Insert the Hook 1 (J) into the Base (E) and Hook 2 (I). Connect Hook 2 (I) and Hook 3 (H). Finally, insert Hook 3 (H) into the hole of the Tube (F) using the Nut (G) to tighten it.
4. Connect the Extension Rod (K) in different lengths to the Connecting Tube (F). Then slide the Canopy Ring (D) and Canopy (C) onto the other end of Extension Rod (K).
Determine how many extension rods need to be assembled according to the desired height.
5. Insert the Extension Rod (K) into the lower D-Ring (B3) and turn clockwise until the Extension Rod (K) screws into the lower D-Ring (B3). Secure the Extension Rod (K) by using the Allen Key (d) provided. Attach B1 to B2, B3 to B2.
6. Drill two holes in the ceiling to align with the holes on the Mounting Plate (A), and insert Big Ceiling Anchors (j). Then screw two Round Head Wall Screws (k) into anchors. If desired, use two G1/4-20T Round Head Screws (k) to fix the Mounting Plate (A) onto the outlet box.
7. Connect the hot wire to the hot junction box wire (usually black or smooth) with a Plastic Wire Connector (a) and wrap the connection with electrical tape. Connect the neutral wire to the neutral junction box wire (usually white or ribbed) with Plastic Wire Connector (a) and wrap the connection with electrical tape.
8. Attach the ground wire from the fixture to the ground junction box wire from the outlet box (usually green or bare wire) with a Plastic Wire Connector (a) and wrap the connection with electrical tape.
9. Slide the Canopy Ring (D) up until it reaches underneath the canopy. Then screw tightly to hold the Canopy (C) against the ceiling.
10. Insert 12 bulbs into the threaded sockets.
11. Restore power to the junction box and test fixture.
12. Installation is complete.

ATTENTION: ADJUSTING THE HANG HEIGHT

Any adjustments or alterations to the fixture, cord, or overall hang height that differ from those detailed on RH.com will void the Laboratory Listing and Approvals (UL, ETL, CSA, etc.). If the listing is voided, this means the product may no longer be safe for use as modified. RH does not recommend modifying the product.

CARE INSTRUCTIONS

Do not use polishes or cleaners on the fixture. Wipe clean with a soft, dry cloth.