

RH

CAMERON MEDICINE CABINET

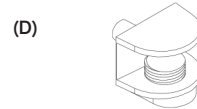
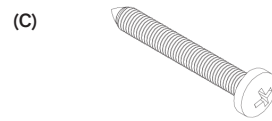
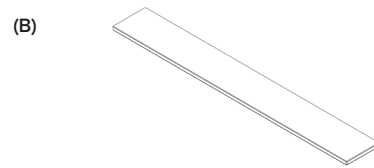
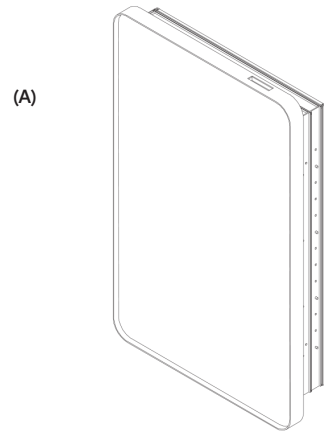
ASSEMBLY AND INSTALLATION INSTRUCTIONS

ENGLISH

CAMERON MEDICINE CABINET

PARTS INCLUDED

- A) Medicine cabinet
- B) Glass shelves (large (4), small (3))
- C) Tapping screws (4)
- D) Shelf supports (large (16), small (12))
- E) Level
- F) Screw driver or drill
- G) Pre-installed cabinet blocking



STORAGE

1. Store mirror according to carton markings.
2. Do not stack objects on carton.

HANDLING

1. Due to the weight and size of the cabinet, it is advised to have at least two people handle the package.

SAFETY AND PRE-INSTALLATION INFORMATION

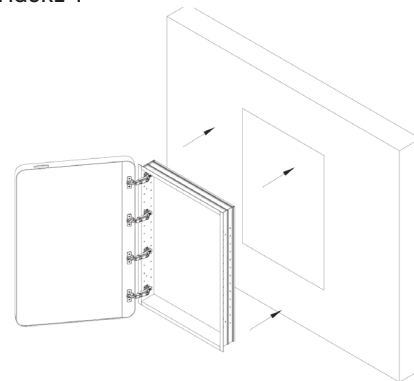
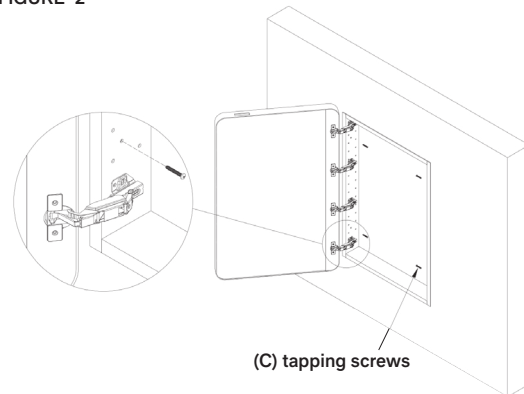
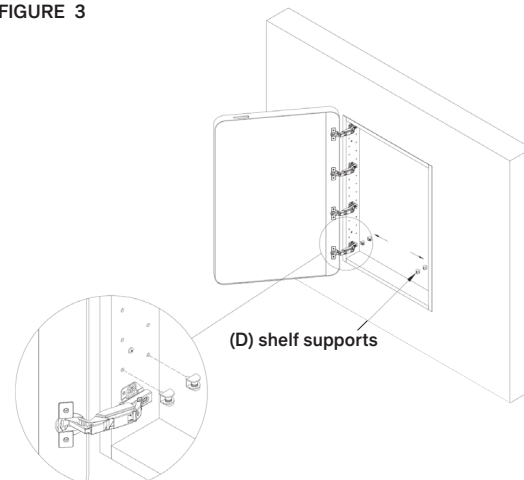
1. Professional installation is recommended.
2. To provide adequate support, you or your installer should install blocking per the size of inset medicine cabinet purchased, see CHART A for sizing information on the recessed portion of the box.
3. At a minimum, you will need a level, screw driver or drill to install your cabinet, not included.

INSTALLATION OF CABINET

1. Insert your Bristol medicine cabinet into your pre-installed blocking into the wall cavity. (FIGURE 1)
2. Mount cabinet to wall by using at least 4 tapping screws to fasten the recessed portion of the cabinet to the wall blocking. Use screws appropriate for the substrate used to create the blocking support. Additional screws and anchors may be used to offer additional support depending on your blocking substrate. (FIGURE 2)
3. Once the cabinet is installed, you can insert the supports for your glass shelves. Large cabinets require 16 supports for the four provided shelves, while small cabinets require 12 supports for the three provided shelves. (FIGURE 3)

CHART A

Large	Small
22 7/8" (59 cm) W	17 3/8" (45 cm) W
32 3/4" (84 cm) H	23 3/4" (61 cm) H
3 7/8" (10 cm) D	3 7/8" (10 cm) D

FIGURE 1**FIGURE 2****FIGURE 3**

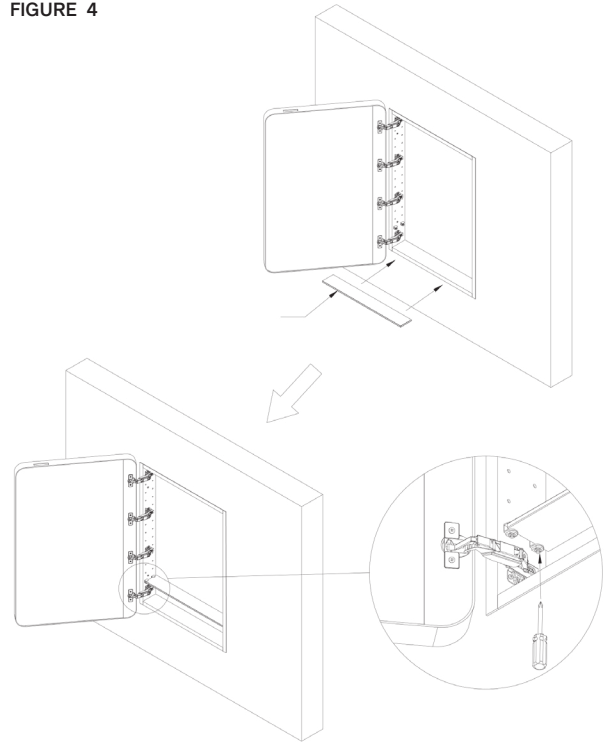
4. Insert glass shelf into the supports and use a screw driver to tighten the screw underneath, repeat for each shelf. (FIGURE 4)
5. If you find the door needs adjustment, the left screw A is used to adjust the tightness of the door, while the right screw B is for door alignment, these can be adjusted after installation to ensure the door sits at the right angle and does not hang open. (FIGURE 5)

WARRANTY

Your product comes with a limited 90 day manufacturer's warranty that covers any defects in material, workmanship under normal use and maintenance during the warranty period. We will repair the product at no charge, using new or refurbished replacement parts. The warranty does not cover conditions, malfunctions or damage resulting from negligence, improper maintenance, care, storage, shipping, or modification by the end user.

CLEANING INSTRUCTIONS

To maintain and protect the finish on any metal parts, clean with a soft, damp cloth only. Glass should be cleaned with glass cleaner and a soft cloth. It is advised to never clean metal parts with an abrasive cleaner, while metal parts will age and change color over time, this process will be affected by improper care or maintenance.

FIGURE 4**FIGURE 5**