

RH

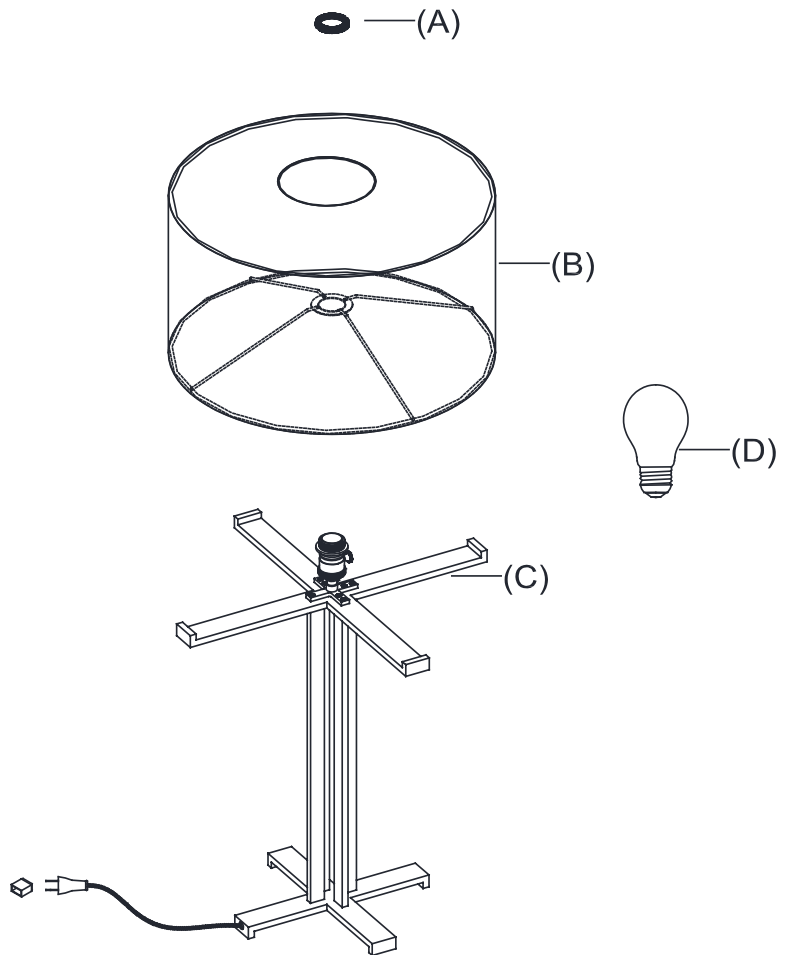
BECKMAN TABLE LAMP

ASSEMBLY & INSTALLATION INSTRUCTIONS  
ENGLISH

BECKMAN TABLE LAMP

PARTS INCLUDED

- (A) Socket Ring (1)
- (B) Shade (1)
- (C) Bracket (1)
- (D) Bulb (1)



**IMPORTANT: PLEASE READ**

## IMPORTANT SAFETY FEATURES

## BULBS

This fixture has been rated for up to one (1) 100-watt maximum Type A lightbulb, one (1) 23-watt compact fluorescent lightbulb, or one (1) 9-watt SBLED lightbulb. To avoid the risk of fire, do not exceed the recommended wattage.

## DIMMER-SWITCH COMPATIBILITY

This fixture is dimmer-switch compatible and may only be used with a forward-phrase dimmer switch.

**WARNINGS**

All wires are connected. When unpacking, be careful not to pull wires, as damage may result. Do not connect electricity until the fixture is fully assembled. To reduce the risk of fire, electrical shock, or personal injury, always turn off fixture and allow it to cool prior to replacing the lightbulb. Do not touch or look directly at the bulb when fixture is illuminated. Keep flammable materials away from lit bulb.



**WARNING:** This product can expose you to lead, which is known to the State of California to cause cancer and birth defects or other reproductive harm. For more information, go to [www.P65Warnings.ca.gov](http://www.P65Warnings.ca.gov).

**WARNING: STRANGULATION HAZARD**

Keep cord at least 3 feet away from cribs, bassinets, and toddler beds. Keep out of reach of children under 3 years of age.

THIS PRODUCT IS NOT A TOY AND HAS NO PLAY VALUE.

## ASSEMBLY AND INSTALLATION

**SHUT OFF THE MAIN ELECTRICAL SUPPLY FROM THE FUSE BOX OR CIRCUIT BREAKER PANEL.**

1. Carefully remove all parts from the box and remove all plastic coverings.
2. Remove Socket Ring (A) from the socket. Install Shade (B) onto Bracket (C) and secure with Socket Ring (A).
3. Insert Bulb (D) into the threaded socket.
4. Plug into proper electrical outlet and test fixture.
5. Assembly is complete.

## CARE INSTRUCTIONS

Do not use polishes or cleaners on the fixture.

Wipe clean with a soft, dry cloth.