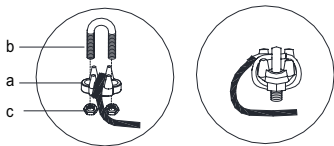
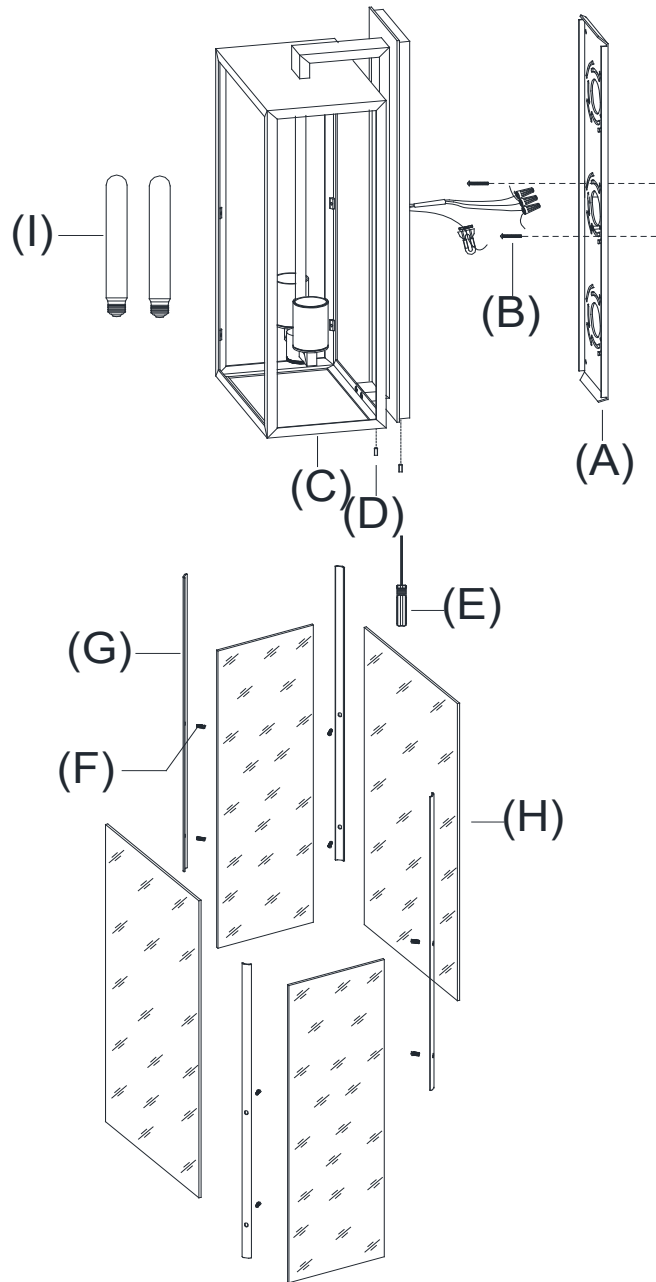


PARTS ENCLOSED

- (A) Mounting Plate (1)
- (B) Mounting Screws (2)
- (C) Lantern Box (1)
- (D) Base Screws (2)
- (E) Wrench (1)
- (F) Set Screws (8)
- (G) Metal Tabs (4)
- (H) Glass Panels (4)
- (I) Bulbs (2)



Install safety cable:

1. Wrap the safety cable into the slot hole on the mounting plate.
2. Wrap the safety cable around the saddle (a).
3. Insert U-bolt clip (b) into the saddle (a) and secure with the nuts (c).

IMPORTANT SAFETY INSTRUCTIONS

INSTALLATION BY A LICENSED ELECTRICIAN IS STRONGLY RECOMMENDED.

This fixture has been rated for two (2) 40-Watt maximum Type T lightbulbs (included) or two (2) 13-Watt compact fluorescent lightbulbs (not included). To avoid the risk of fire, do not exceed the recommended wattage.

WARNINGS

All wires are connected. When unpacking, be careful not to pull wires, as a bad connection may result. Do not connect electricity until your fixture is fully assembled. To reduce the risk of fire, electrical shock, or personal injury, always turn off fixture and allow it to cool prior to replacing the lightbulb. Do not touch or look directly at the bulb when fixture is illuminated. Keep flammable materials away from lit bulb.



WARNING: This product can expose you to lead, which is known to the State of California to cause cancer and birth defects or other reproductive harm. For more information, go to www.P65Warnings.ca.gov.

THIS PRODUCT IS NOT A TOY AND HAS NO PLAY VALUE.



WARNING: STRANGULATION HAZARD

Keep cord at least 3 feet away from cribs, bassinets, and toddler beds. Keep out of reach of children under 3 years of age.

ASSEMBLY & INSTALLATION

SHUT OFF THE MAIN ELECTRICAL SUPPLY FROM THE FUSE BOX OR CIRCUIT BREAKER PANEL.

1. Carefully remove all parts from the box and remove all plastic coverings.
2. Remove Mounting Plate (A) from Lantern Box (C) by removing Base Screws (D) using Wrench (E).
3. Insert Bulbs (I) into the sockets.

ASSEMBLY & INSTALLATION CONT.

4. Remove Metal Tabs (G) from Lantern Box (C) by removing Set Screws (F). Install Glass Panels (H) to Lantern Box (C) and secure by placing Metal Tabs (G) onto Lantern Box (C), then tighten with Set Screws (F).
5. To determine the mounting height of the sconce, select one set of three universal mounting slots to install.
6. Affix Mounting Plate (A) to the wall and secure with Mounting Screws (B) and other proper fasteners from your local hardware store.
7. Gently pull the wire from the wall outlet box and allow the wire to hang. Thread the wire through the center hole of Mounting Plate (A).
8. Connect the safety steel wire from the fixture and the safety cable from the wall. (See illustration on previous page).
9. Affix the fixture ground wire to the ground wire (usually bare copper) from the wall outlet box with a wire nut. **IT IS IMPERATIVE THAT THE OUTLET BOX IN YOUR HOME BE PROPERLY GROUNDED.**
10. Connect the fixture neutral wire (white) to the neutral outlet box wire (usually white insulation) with a plastic wire connector and wrap the connection with electrical tape.
11. Connect the fixture hot wire (black) to the hot outlet box wire (usually black insulation) with a plastic wire connector and wrap the connection with electrical tape. **DO NOT REVERSE THE HOT AND NEUTRAL CONNECTIONS OR SAFETY WILL BE COMPROMISED.**
12. Carefully tuck the wire connections back into the outlet box.
13. Attach Lantern Box (C) to the affixed Mounting Plate (A) and secure with Base Screws (D), then tighten using Allen Wrench (E).
14. Restore power to outlet box and check operation of fixture.
15. Assembly is complete.

CARE INSTRUCTIONS

Do not use polishes or cleaners on the fixture. Wipe clean with a soft, dry cloth.