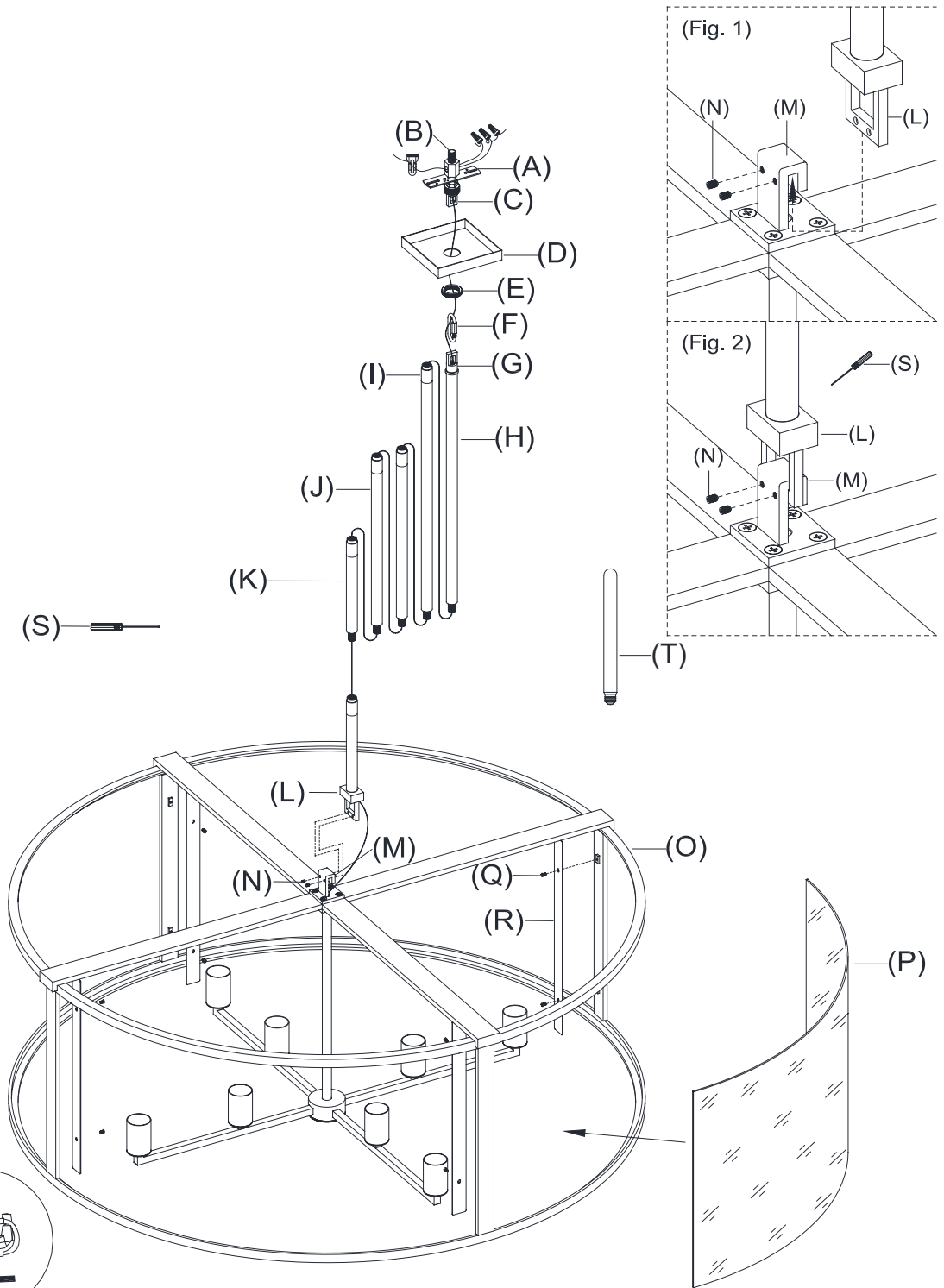


RH

BECKMAN ROUND CHANDELIER 44"

PARTS ENCLOSED

- (A) Mounting Strap (1)
- (B) Nipple (1)
- (C) Mounting Loop (1)
- (D) Canopy (1)
- (E) Canopy Ring (1)
- (F) Quick Link (1)
- (G) Hanging Loop (1)
- (H) 18" Connection Rods (2)
- (I) Connective Tubes (5)
- (J) 12" Connection Rods (2)
- (K) 6" Connection Rods (2)
- (L) Top Loop (1)
- (M) Top Hook (1)
- (N) Screws (2)
- (O) Lantern Box (1)
- (P) Glass Panels (4)
- (Q) Set Screws (8)
- (R) Metal Tabs (4)
- (S) Wrench (1)
- (T) Bulbs (8)



Install safety cable:

1. Wrap the safety cable into the slot hole on the hickey.
2. Wrap the safety cable around the saddle (a).
3. Insert U-bolt clip (b) into the saddle (a) and secure with the nuts (c).

IMPORTANT SAFETY INSTRUCTIONS

INSTALLATION BY A LICENSED ELECTRICIAN IS STRONGLY RECOMMENDED

This fixture has been rated for up to eight (8) 40-watt maximum Type T lightbulbs (included) or eight (8) 13-watt compact fluorescent lightbulbs (not included). To avoid the risk of fire, do not exceed the recommended wattage.

WARNINGS

All wires are connected. When unpacking, be careful not to pull wires, as a bad connection may result. Do not connect electricity until your fixture is fully assembled. To reduce the risk of fire, electrical shock, or personal injury, always turn off fixture and allow it to cool prior to replacing the lightbulb. Do not touch or look directly at the bulb when fixture is illuminated. Keep flammable materials away from lit bulb.



WARNING: This product can expose you to lead, which is known to the State of California to cause cancer and birth defects or other reproductive harm. For more information, go to www.P65Warnings.ca.gov.

THIS PRODUCT IS NOT A TOY AND HAS NO PLAY VALUE.



WARNING: STRANGULATION HAZARD

Keep cord at least 3 feet away from cribs, bassinets, and toddler beds. Keep out of reach of children under 3 years of age.

ASSEMBLY & INSTALLATION

SHUT OFF THE MAIN ELECTRICAL SUPPLY FROM THE FUSE BOX OR CIRCUIT BREAKER PANEL.

- Carefully remove all parts from the box and remove all plastic coverings.
- Remove Metal Tabs (R) by removing Screws (Q). Install Glass Panels (P) to each frame of Lantern Box (O) and secure with Metal Tabs (R) and Screws (Q).
- Determine the hanging length of chandelier. Connect Lantern Box (O) to some or all Connection Rods (H) (J) (K) and Connective Tubes (I) according to the height needed. Note: Pre-

ASSEMBLY & INSTALLATION CONT.

wire the connection rods before putting them together.

- Feed wires through the Connection Rods (H) (J) (K), Hanging Loop (G), Canopy Ring (E), Canopy (D), and Mounting Loop (C).
- Remove Screws (N) from Top Hook (M). Attach Top Loop (L) to Top Hook (M) by aligning holes and secure with Screws (N). Tighten with Wrench (S) (refer to Fig. 1 and Fig. 2).
- Thread Hanging Loop (G) onto the inner connection rod of the top Connection Rods (H) (J) (K).
- Unscrew Canopy Ring (E). Slide Canopy Ring (E) and Canopy (D) on Connection Rods (H) (J) (K).
- A 1/4" IPS pipe must be installed to your ceiling. Then install Threaded Nipple (B) into 1/4" IPS PIPE.
- Attach Mounting Plate (A) to ceiling and secure with mounting screws (not included) or other proper fasteners from your local hardware store. NOTE: THE MOUNTING PLATE MUST BE SECURED TO A STRUCTURAL MEMBER OF THE BUILDING, INDEPENDENT OF THE OUTLET BOX.
- Connect the safety cable as shown in previous page.
- Gently pull the wiring from the ceiling outlet box and allow the wires to hang. Thread the wires through the center hole in the Mounting Strap (A).
- Wrap fixture ground wire (bare copper) around the green grounding screw on the mounting strap. Connect fixture ground wire to the ground wire from the outlet box (usually green) using a wire nut.
- Connect fixture neutral wire (ribbed) to the supply neutral wire (usually white) using a wire nut.
- Connect the fixture hot wire (smooth with markings) to the supply hot wire (usually black) using the wire nut. DO NOT REVERSE THE HOT AND NEUTRAL CONNECTIONS.
- Tuck the wire connections neatly into the ceiling outlet box.
- Hook Hanging Loop (G) to Mounting Loop (C) by opening and closing Quick Link (F). Raise Canopy (D) to cover the ceiling outlet box, then secure with Canopy Ring (E) to Mounting Loop (C).
- Insert Bulbs (T) into each of the sockets.
- Assembly is complete.

CARE INSTRUCTIONS

Do not use polishes or cleaners on the fixture. Wipe clean with a soft, dry cloth.